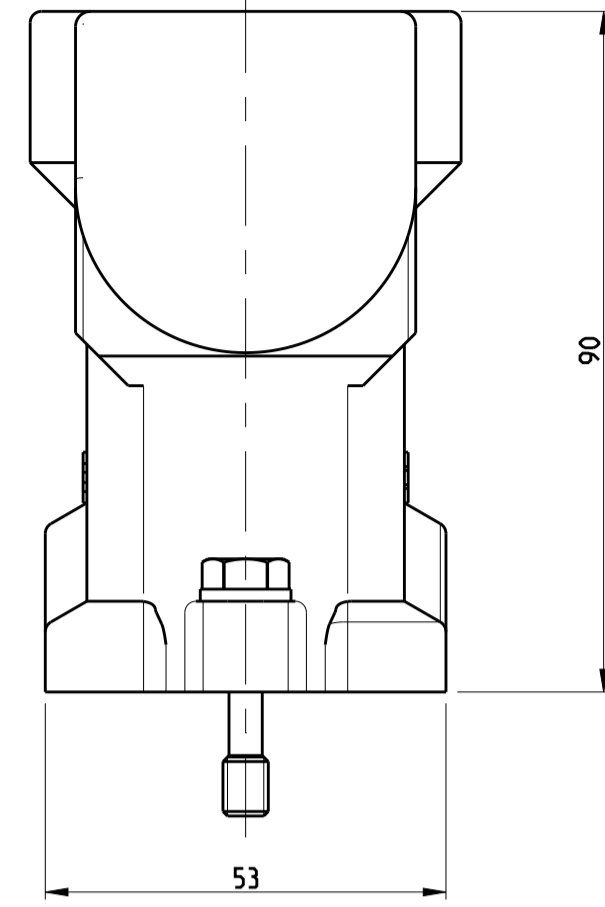
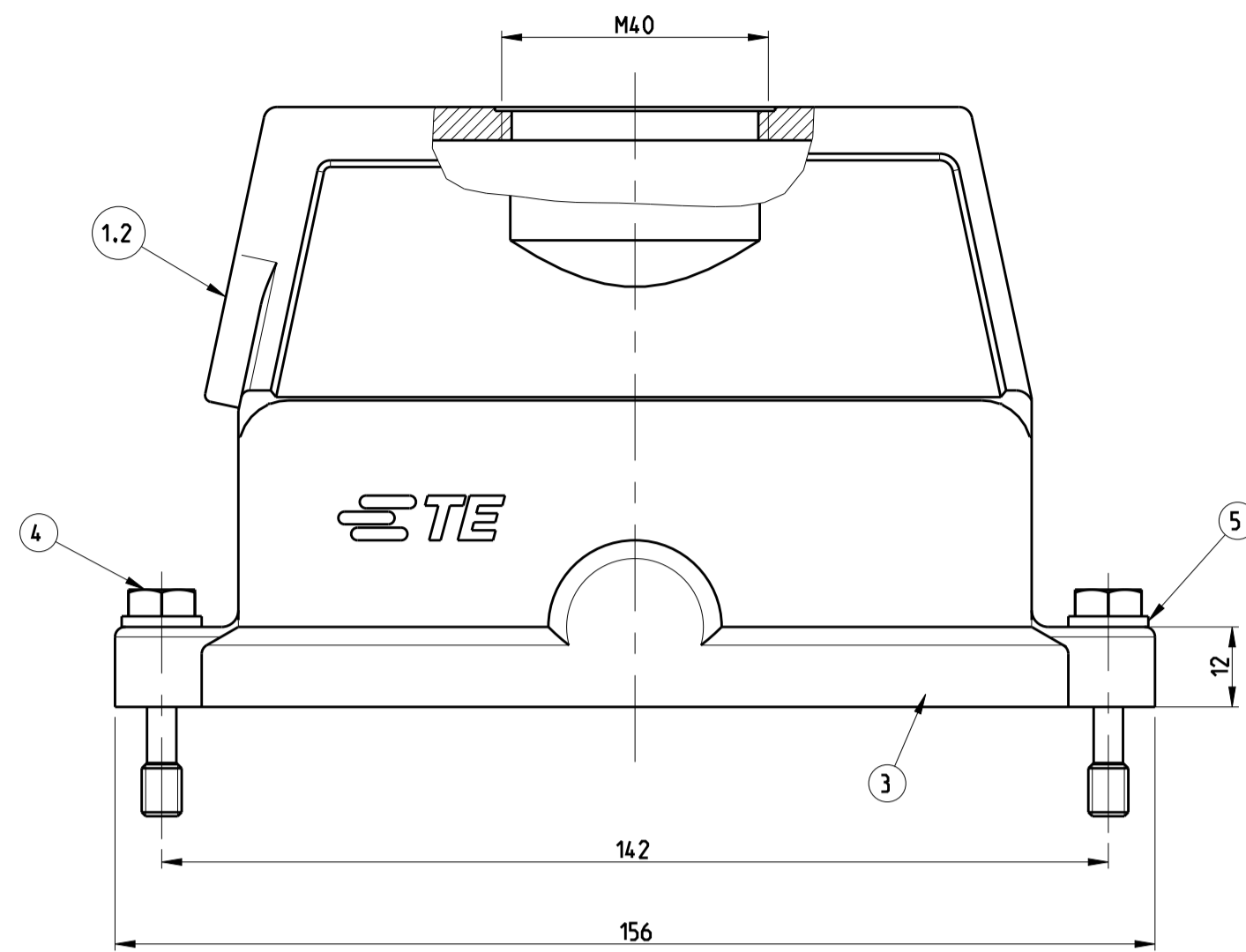
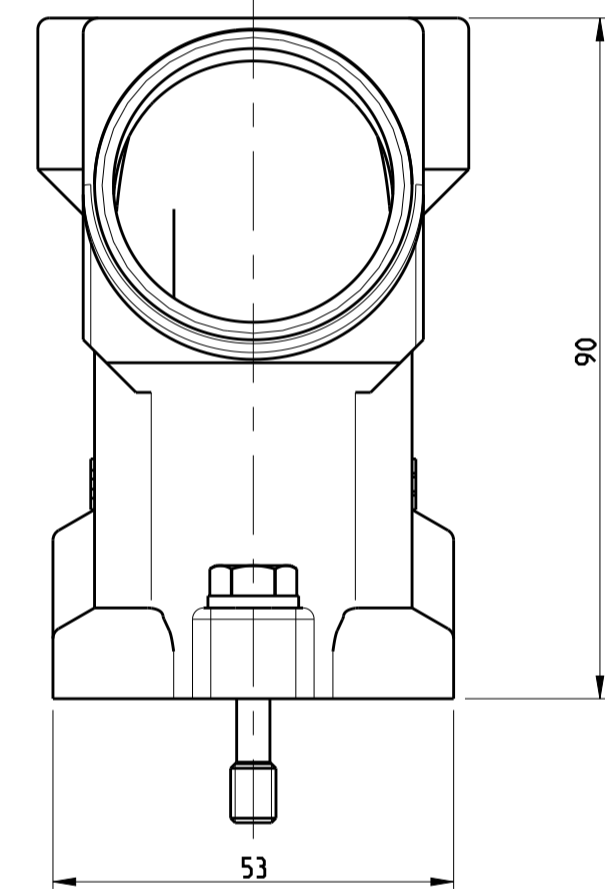
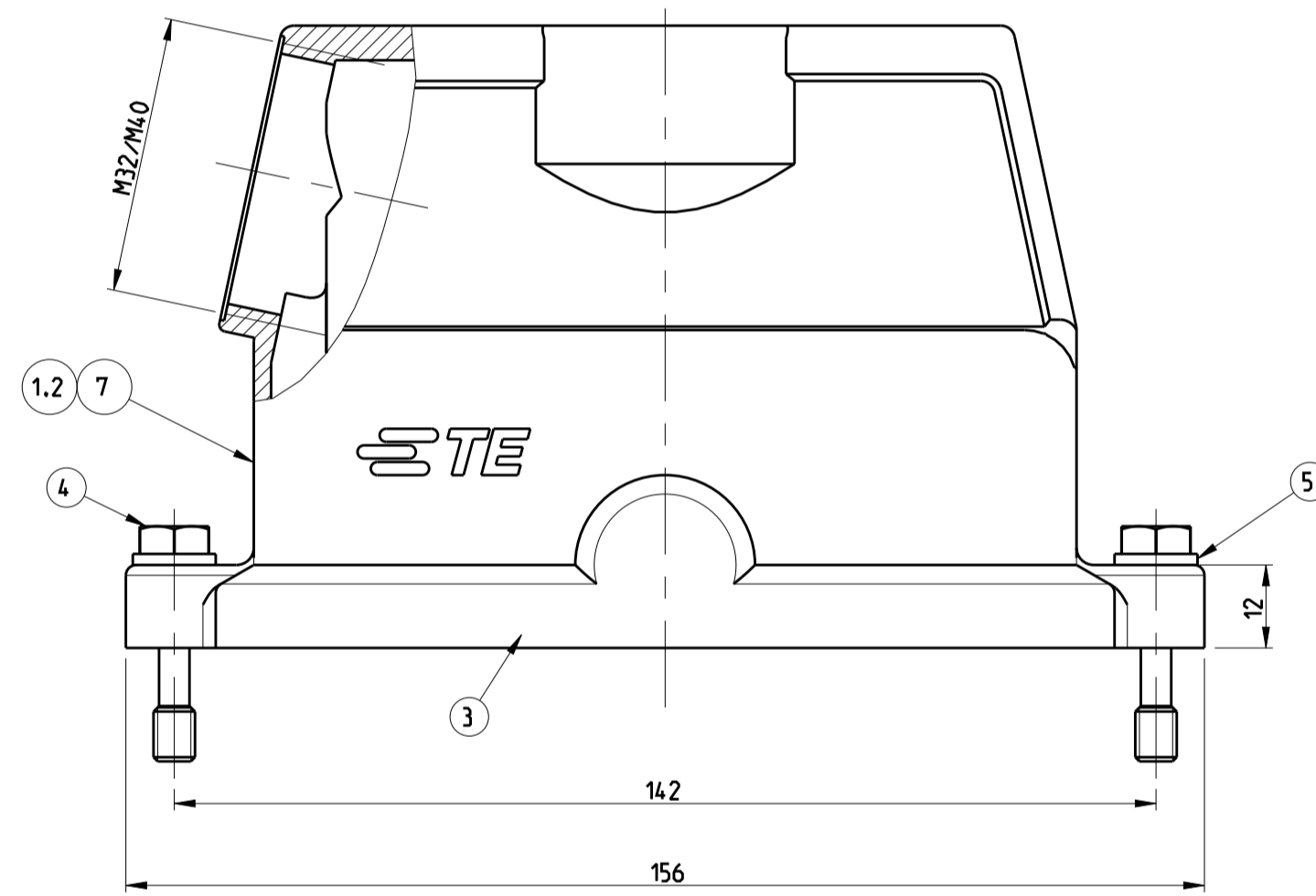


THIS DRAWING IS UNPUBLISHED. RELEASED FOR PUBLICATION 1997  
 BY - ALL RIGHTS RESERVED.

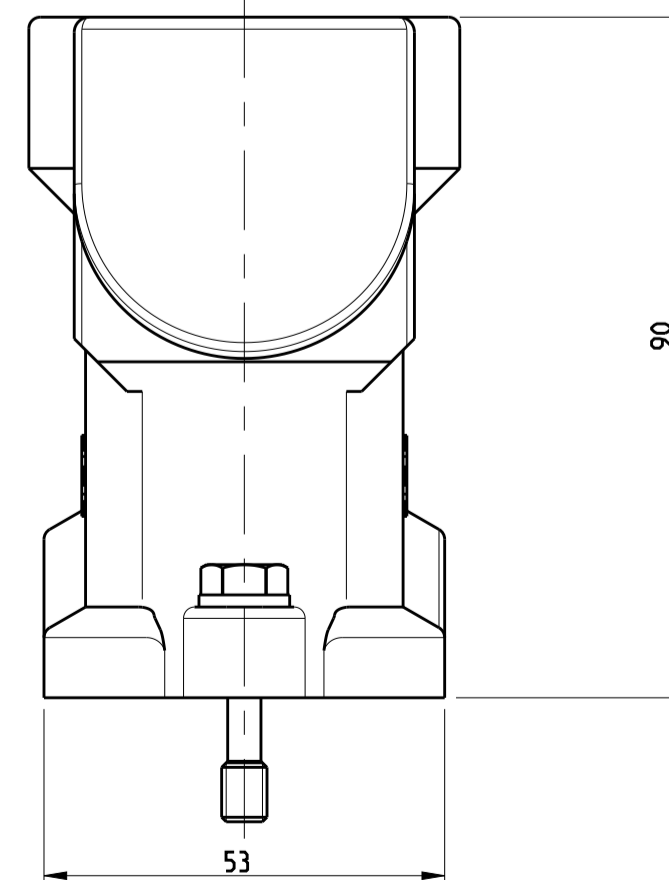
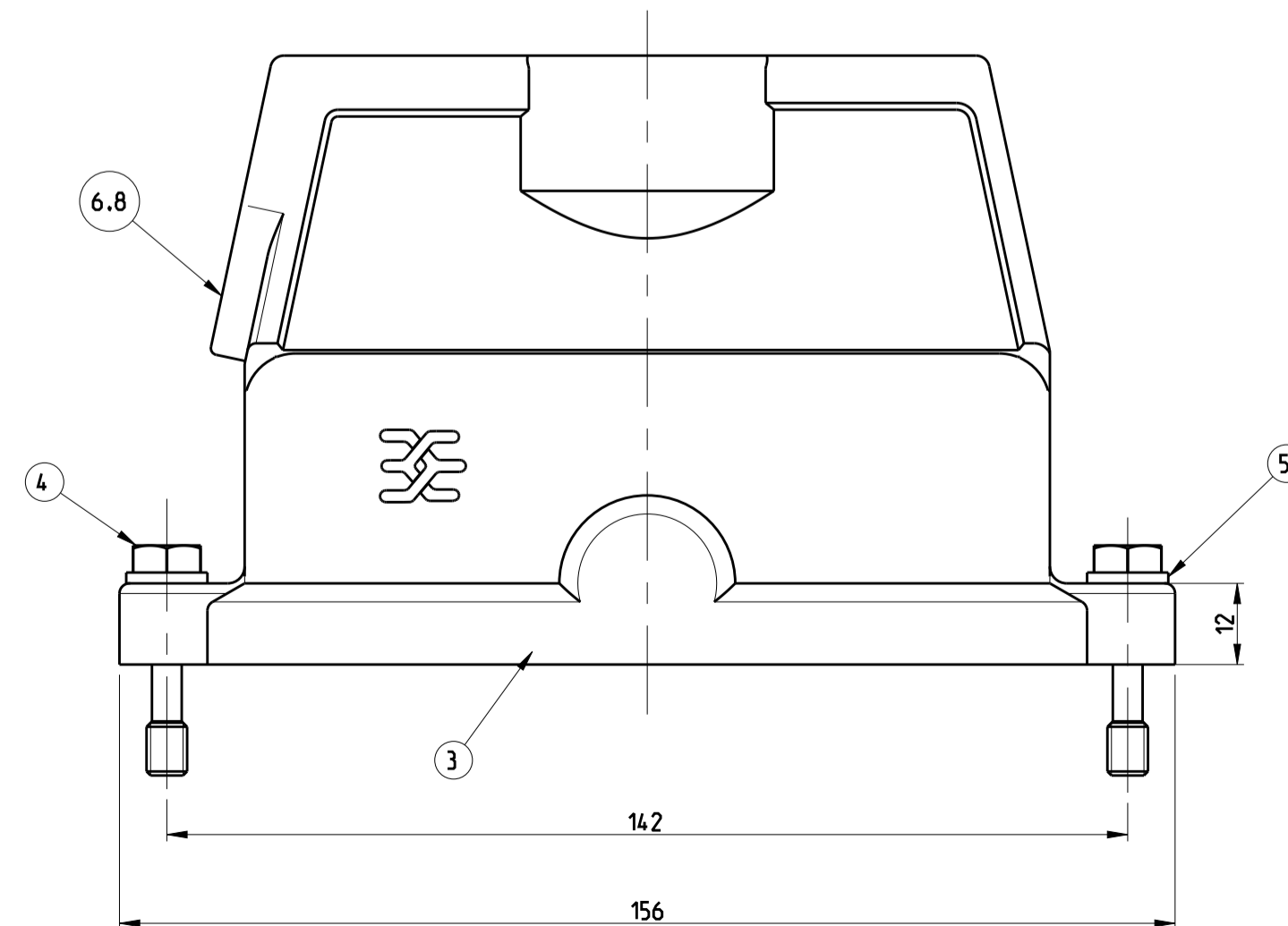
PN 0-1, 0-3 & 0-5



PN 0-2,0-4 & 0-7



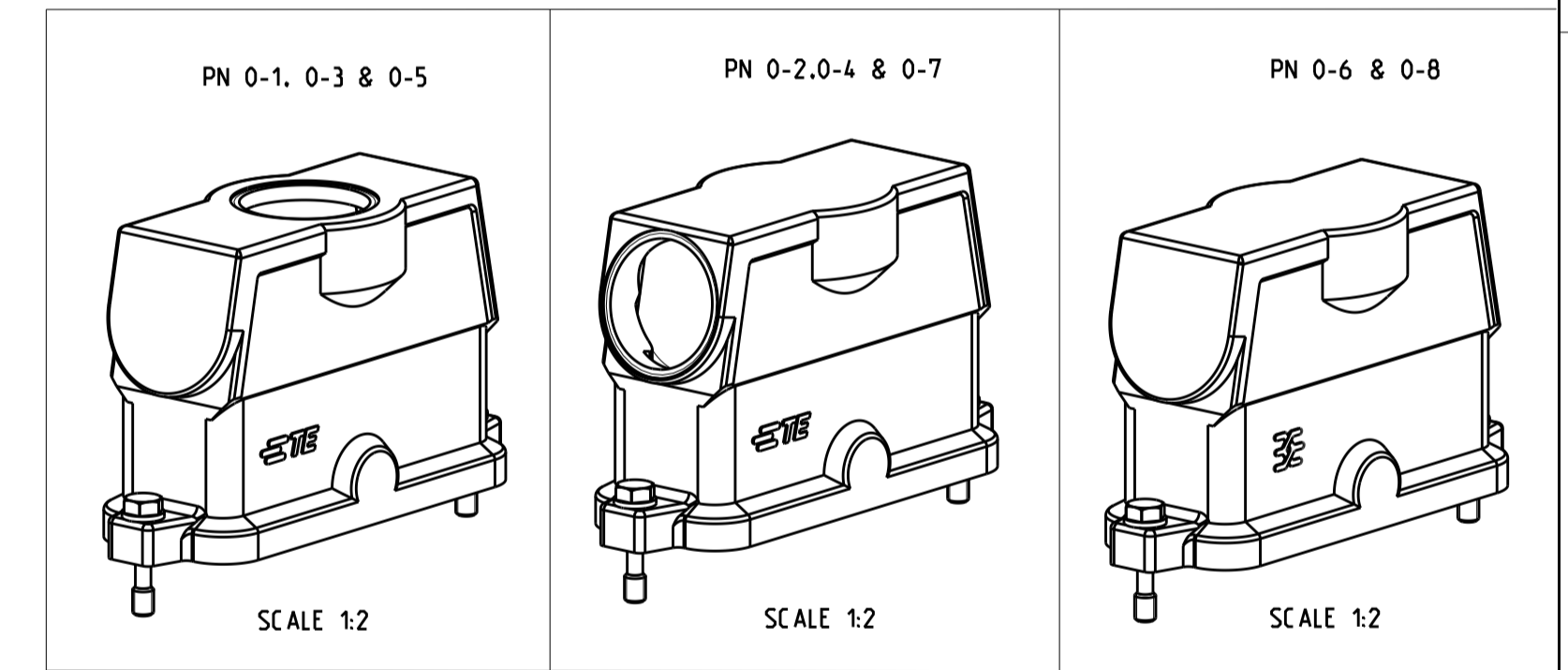
PN 0-6 & 0-8



REVISIONS				
P	LTR	DESCRIPTION	DATE	APVD
	AB	REVISED PER ECR-16-016780	19SEP2017	NG MKO

NOTES

- 1 Material: Housing: Aluminium diecasting alloy  
seals: Neoprene
- 2 Surface:- Aluminium oxide + Varnish Black  
-Grey
- 3 Varnish on the inside not necessary
- ⚠ Special- Logo
- 5 Packaging quantity 5 pieces in a box



OBsolete															
QTY	QTY	QTY	QTY	QTY	QTY	QTY	QTY	QTY	QTY	DESCRIPTION	MATERIAL	SURFACE	COLOR	ITEM NO	REMARKS
1										Hood HIP-K	Aluminium	Aluminium oxide	Black	8	Without logo/thread
1										Hood HIP	Aluminium		Without varnish	7	
1										Hood HIP-K	Aluminium	Aluminium oxide	Without varnish	6	Without M-Thread
2	2	2	2	2	2	2	2	2	2	Pane	Stainless steel	Blank		5	B6.4
2	2	2	2	2	2	2	2	2	2	Fixing screw	Stainless steel	Blank		4	M6x30
1	1	1	1	1	1	1	1	1	1	Seal	Neoprene		Black	3	
										Hood HIP-K	Aluminium	Aluminium oxide	Black	2	
										Hood HIP	Aluminium		Grey	1	
0-8	0	70	6	0	5	0	4	0	2	0-3	0-1				
ORDERING TEXT															
HIP.24/64.ST0.1.M40.G															
HIP.24/64.ST0.1.M40.G															
HIP.24/64.STS.1.M40.G															
HIP-K.24/64.STS.1.M40.G															
HIP-K.24/64.STS.1.M32.G															
HIP-K.24/64.ST															
HIP.24/64.STS.1.M40.G															

THIS DRAWING IS A CONTROLLED DOCUMENT. DWN: 10.09.02  
 Schneider  
 CHE: 10.09.02  
 Schweiger

DIMENSIONS: mm

TOLERANCES UNLESS OTHERWISE SPECIFIED:  
 0 PLC ±  
 1 PLC ±  
 2 PLC ±  
 3 PLC ±  
 4 PLC ±  
 ANGLES °  
 FINISH

MATERIAL

PRODUCT SPEC: 108-74030  
 APPLICATION SPEC: 116-74017  
 WEIGHT

CUSTOMER DRAWING

NAME: Hood  
 HIP.24/64.1.M32/M40.G

SIZE: A1  
 CAGE CODE: 00779  
 DRAWING NO: C=1106473

RESTRICTED TO: -

SCALE: 1:1 SHEET: 1 OF 1 REV: AB

# Mouser Electronics

Authorized Distributor

Click to View Pricing, Inventory, Delivery & Lifecycle Information:

[TE Connectivity:](#)

[1106473-2](#)