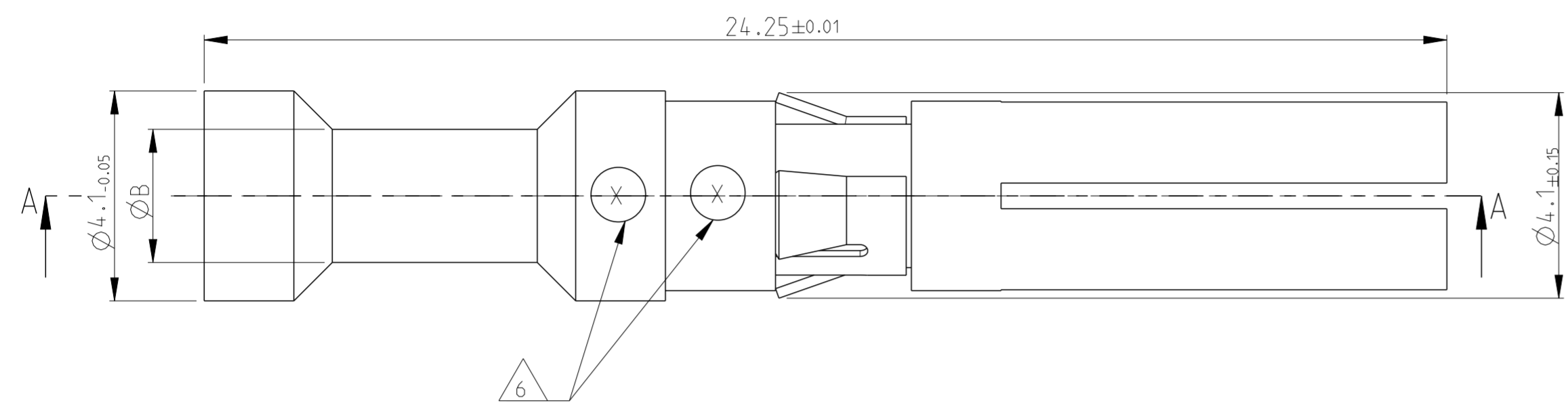


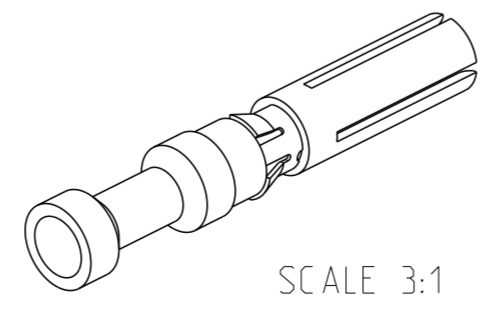
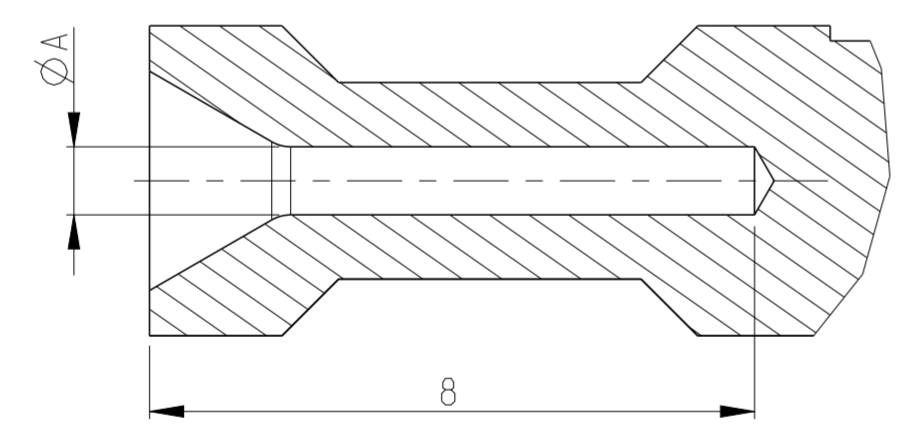
THIS DRAWING IS UNPUBLISHED. RELEASED FOR PUBLICATION  
 © COPYRIGHT - ALL RIGHTS RESERVED.

LOC		DIST		REVISIONS			
P	LTR	DESCRIPTION		DATE	DWN	APVD	
G2		REVISED PER ECO-11-005150		31MAR2011	RK	HMR	
G3		ECR-16-016696		31AUG2017	GR	MKO	



- NOTES
- 1 MATERIAL SEE TABLE
  - 2 SURFACE SEE TABLE
  - 3 ASSEMBLY WEIGHT SEE TABLE
  - 4 PACKAGING: 50 PIECES IN POLYBAG
  - 5 PACKAGING: 500 PIECES IN POLYBAG & CARTON
  - 6 CROSS-SECTION MARKING
  - 7 NO VENTILATION HOLE REQUIRED AT CROSS SECTION >4.0mm<sup>2</sup>
  - 8 SUITABLE PIN CONTACT: PN 1105300
  - 9 SUITABLE INSERTS: SERIES HVT
  - 10 SUITABLE CRIMP TOOL: PN 1-1105851-8
  - 11 SUITABLE INSERTION TOOL: PN 0-1102855-6
  - 12 SUITABLE EXTRACTION TOOL: PN 0-1102855-3
  - 13 STANDARDS: DIN EN 61984, DIN EN 60664-1

SECTION A-A



OBSOLETE											ASSEMBLY WEIGHT IN (Kg) <sup>3</sup>							
0.00142	0.00144	0.00148	0.00145	0.00149	0.00150	0.00144	0.00148	0.00133	0.00142	0.00144	0.00148	0.00145	0.00149	0.00150				
1	1	1	1	1	1	1	1	1	1	1	1	1	1	1				
											Socket Contact 4.0 mm <sup>2</sup>		CuZn39Pb3 F50	GOLD PLATING	2.85	3.9	6	ITEM NO
											Socket Contact 2.5 mm <sup>2</sup>				2.2	3.2	5	
											Socket Contact 1.5 mm <sup>2</sup>				1.8	3.0	4	
											Socket Contact 0.75-1.0 mm <sup>2</sup>				1.45	2.6	3	
											Socket Contact 0.5 mm <sup>2</sup>				1.1	2.6	2	
											Socket Contact 0.13-0.4 mm <sup>2</sup>			0.9	2.6	1		
											Socket Contact 14 AWG			2.0	3.2	8		
											Socket Contact 12 AWG			2.55	3.6	9		
											Socket Contact 10 AWG			3.2	4.1	7		
											Socket Contact 4.0 mm <sup>2</sup>			2.85	3.9	6		
											Socket Contact 2.5 mm <sup>2</sup>		2.2	3.2	5			
											Socket Contact 1.5 mm <sup>2</sup>		1.8	3.0	4			
											Socket Contact 0.75-1.0 mm <sup>2</sup>		1.45	2.6	3			
											Socket Contact 0.5 mm <sup>2</sup>		1.1	2.6	2			
											Socket Contact 0.13-0.4 mm <sup>2</sup>		0.9	2.6	1			

5-2	4-2	3-2	2-2	1-2	6-2	8-2	9-1	7-2	5-1	4-1	3-1	2-1	1-1	6-1	DESCRIPTION	MATERIAL <sup>1</sup>	SURFACE <sup>2</sup>	ØA	ØB	CROSS SECTION MARKING <sup>6</sup>	ITEM NO
5-2	4-2	3-2	2-2	1-2	6-2	8-2	9-8	7-8	5-8	4-8	3-8	2-8	1-8	6-8							
HVT-C-Bu-Au-4.0 mm <sup>2</sup>	HVT-C-Bu-Au-2.5 mm <sup>2</sup>	HVT-C-Bu-Au-1.5 mm <sup>2</sup>	HVT-C-Bu-Au-0.75-1.0 mm <sup>2</sup>	HVT-C-Bu-Au-0.5 mm <sup>2</sup>	HVT-C-Bu-Au-0.13-0.4 mm <sup>2</sup>	HVT-C-Bu-Ag-AWG-14	HVT-C-Bu-Ag-AWG-12	HVT-C-Bu-Ag-AWG-10	HVT-C-Bu-Ag-4.0 mm <sup>2</sup>	HVT-C-Bu-Ag-2.5 mm <sup>2</sup>	HVT-C-Bu-Ag-1.5 mm <sup>2</sup>	HVT-C-Bu-Ag-0.75-1.0 mm <sup>2</sup>	HVT-C-Bu-Ag-0.5 mm <sup>2</sup>	HVT-C-Bu-Ag-0.13-0.4 mm <sup>2</sup>							

THIS DRAWING IS A CONTROLLED DOCUMENT.

DWN: G. WROBLEWSKI	04 SEP. 2007	TE Connectivity SOCKET CONTACT SERIES HVT
CHK: T. SCHNURPFELT	04 SEP. 2007	
APVD: T. SCHNURPFELT	04 SEP. 2007	
PRODUCT SPEC		
APPLICATION SPEC		NAME
WEIGHT		SIZE: A2
CUSTOMER DRAWING		CAGE CODE: 100779
		DRAWING NO: C-1105301
		RESTRICTED TO
		SCALE: 10:1
		SHEET 1 OF 1
		REV: G3

# Mouser Electronics

Authorized Distributor

Click to View Pricing, Inventory, Delivery & Lifecycle Information:

[TE Connectivity:](#)

[6-1105301-2](#)