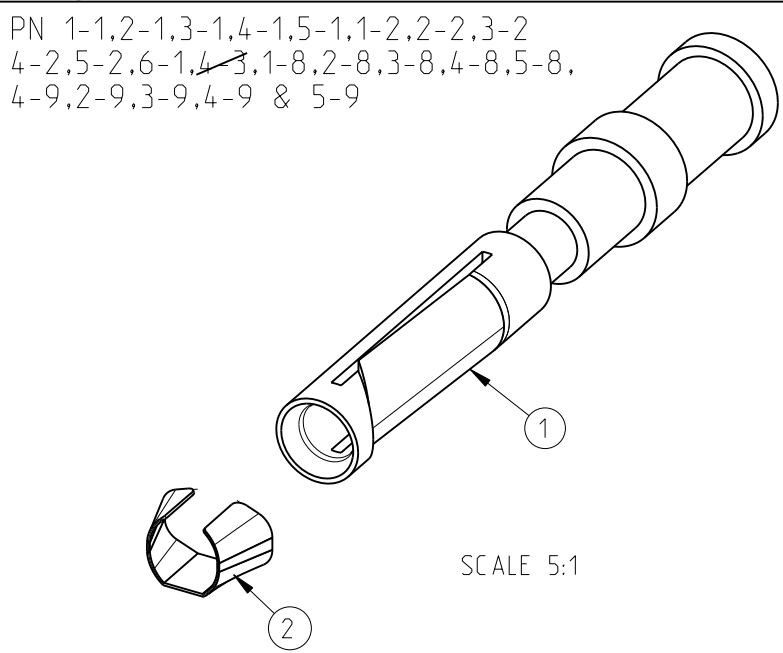
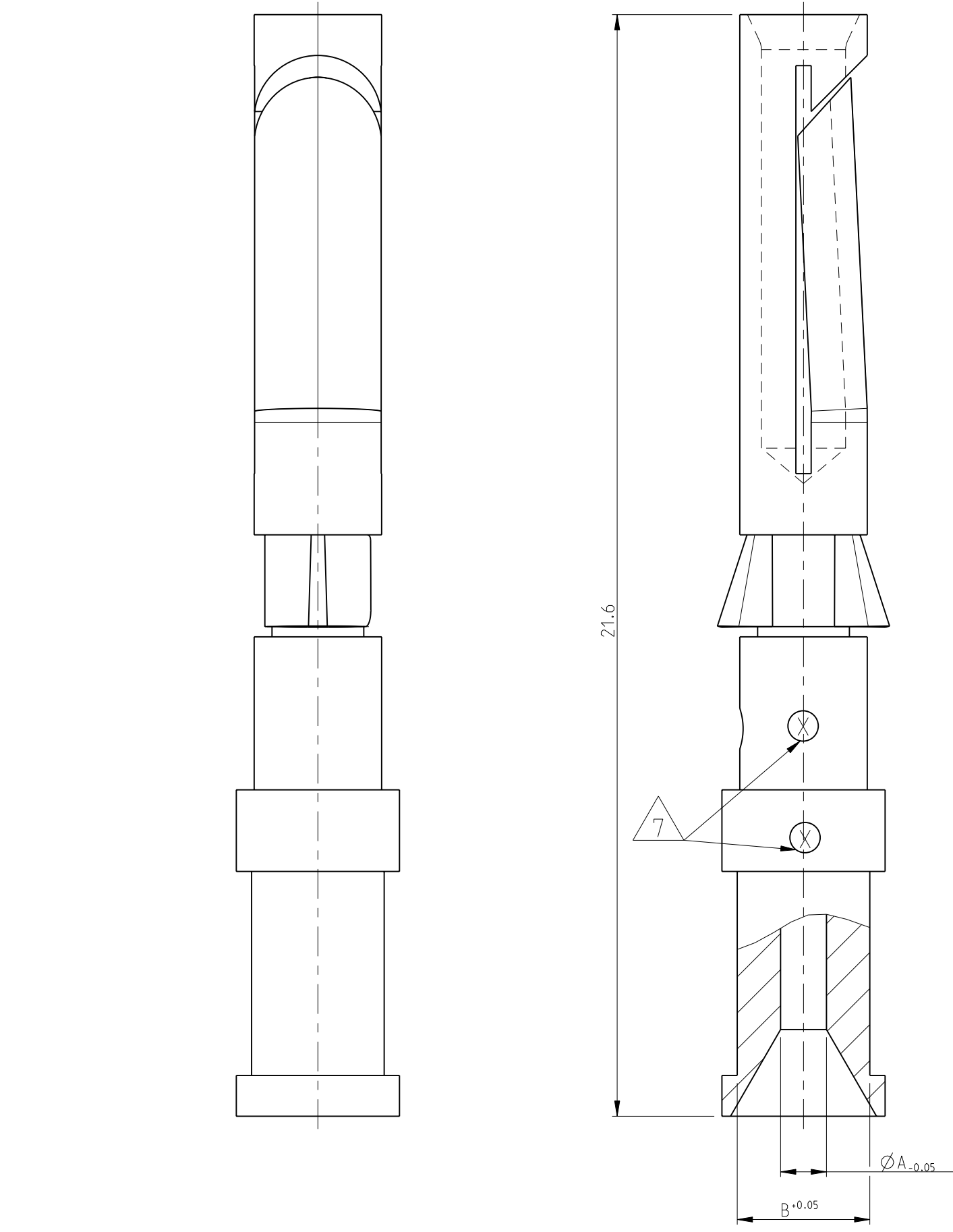


THIS DRAWING IS UNPUBLISHED. RELEASED FOR PUBLICATION 1997  
 © COPYRIGHT 1997 ALL RIGHTS RESERVED.

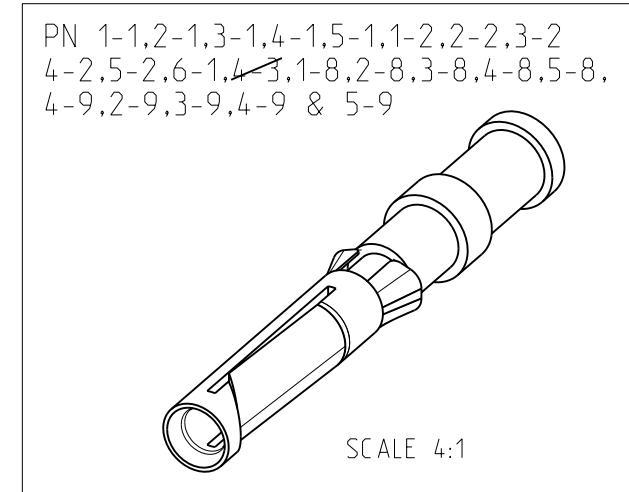


PN 1-1.2-1.3-1.4-1.5-1.1-2.2-2.3-2  
 4-2.5-2.6-1.4-3.1-8.2-8.3-8.4-8.5-8.  
 4-9.2-9.3-9.4-9 & 5-9



LOC		DIST		REVISIONS			
P	LTR	DESCRIPTION	DATE	DWN	APVD		
A1	-	B3	REWORKED PER ECR 09-026789	08DEC2009	MH	BR	
		B4	ECR-11-002636	05APR2011	SR	AR	

- NOTES
- 1 MATERIAL SEE TABLE
  - 2 SURFACE SEE TABLE
  - 3 ASSEMBLY WEIGHT SEE TABLE
  - 4 PACKAGING: 50 PIECES IN POLY-BAG 0-1243085-8
  - 5 PACKAGING: 500 PIECES IN POLY-BAG 0-1243085-8
  - 6 PACKAGING: 10 PIECES IN POLY-BAG 0-1243085-8
  - 7 CROSS-SECTION MARKING



QTY	DESCRIPTION	WEIGHT IN (Kg)	MATERIAL	SURFACE	$\phi A$	$\phi B$	CROSS SECTION MARKING	POS
1	Catch Spring		Stainless Steel					2
1	Socket Contact 1.5 mm <sup>2</sup>	0.00062	Brass	Ag/Ni	1.8	3.0	4	
1	Socket Contact 4.0 mm <sup>2</sup>	0.00059	Brass	Ag/Ni	2.4	3.2	6	
1	Socket Contact 2.5 mm <sup>2</sup>	0.00067	Brass	Au	2.2	3.2	5	
1	Socket Contact 1.5 mm <sup>2</sup>	0.00067	Brass	Au	1.8	3.0	4	
1	Socket Contact 0.75-10 mm <sup>2</sup>	0.00063	Brass	Au	1.45	2.6	3	
1	Socket Contact 0.5 mm <sup>2</sup>	0.00062	Brass	Au	1.1	2.6	2	
1	Socket Contact 0.14-0.37 mm <sup>2</sup>	0.00061	Brass	Au	0.9	2.6	1	
1	Socket Contact 2.5 mm <sup>2</sup>	0.00065	Brass	Ag/Cu	2.2	3.2	5	1
1	Socket Contact 1.5 mm <sup>2</sup>	0.00067	Brass	Ag/Cu	1.8	3.0	4	
1	Socket Contact 0.75-10 mm <sup>2</sup>	0.00063	Brass	Ag/Cu	1.45	2.6	3	
1	Socket Contact 0.5 mm <sup>2</sup>	0.00062	Brass	Ag/Cu	1.1	2.6	2	
1	Socket Contact 0.14-0.37 mm <sup>2</sup>	0.00061	Brass		0.9	2.6	1	
1	Socket Contact 0.14-0.37 mm <sup>2</sup>	0.00065	Fe	Au	0.9	2.6	1	
1	Socket Contact 0.14-0.37 mm <sup>2</sup>	0.00067	Brass	Ag/Cu	0.9	2.6	1	

THIS DRAWING IS A CONTROLLED DOCUMENT.

DWN: Braun 23.07.1997  
 CHK: Schnurpfeil 23.07.1997  
 APVD: -

PRODUCT SPEC: 108-74018  
 APPLICATION SPEC: 114-74015  
 WEIGHT: -

NAME: SOCKET CONTACT SERIES HN.D  
 SIZE: A2  
 CAGE CODE: 00779  
 DRAWING NO: C=1105051  
 RESTRICTED TO: -

CUSTOMER DRAWING SCALE: 10:1 SHEET: 1 OF 1 REV: B4

# Mouser Electronics

Authorized Distributor

Click to View Pricing, Inventory, Delivery & Lifecycle Information:

[TE Connectivity:](#)

[3-1105051-1](#)