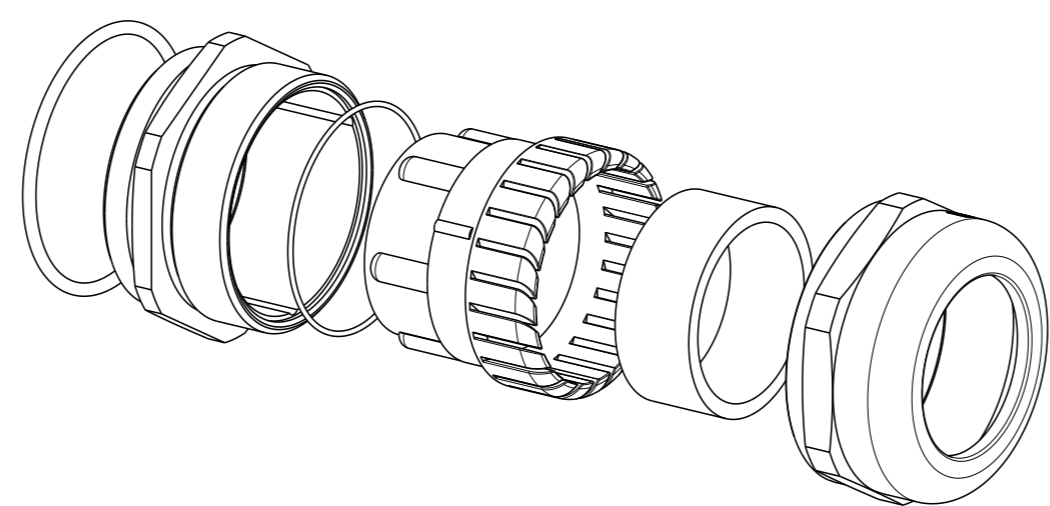
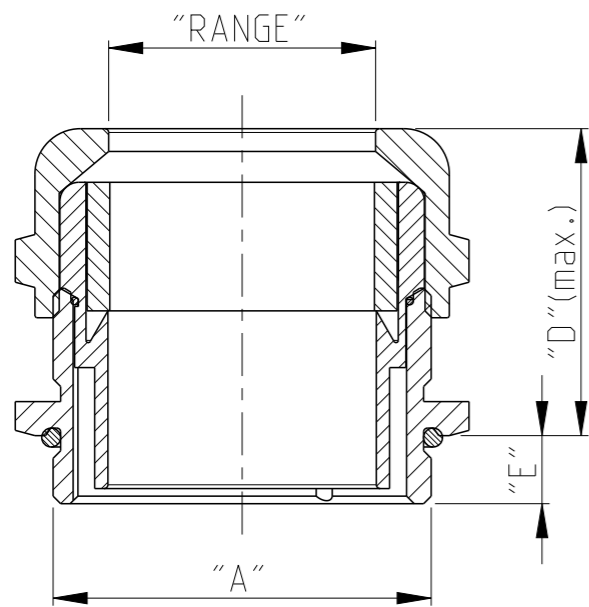


LOC	DIST
A1	-

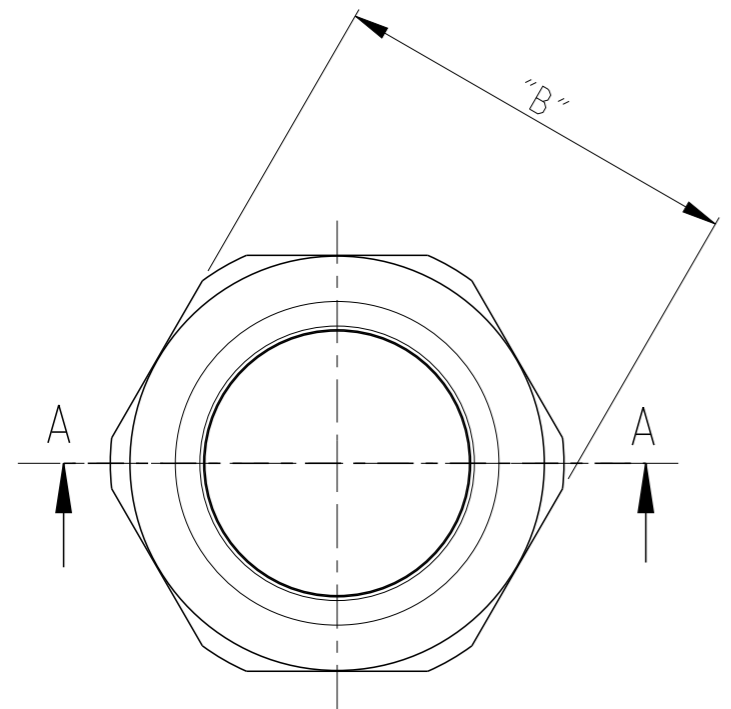
REVISIONS					
P	LTR	DESCRIPTION	DATE	DWN	APVD
	A3	REVISED PER ECO-11-008493	22APR2011	HMR	MM
	A4	ECR-15-008928	18JUN2015	GS	JB



EXPLODED VIEW

Notes

- 1 MATERIALS:
 DOME NUT & GLAND BODY : BRASS CuZn39Pb3, NICKEL-PLATED
 LAMELLAR INSERT: POLYAMIDE PA6 V-2
 SEALING RING: POLYCHLOROPRENE-NITRILE RUBBER CR/NBR
 O-RING: NITRILE RUBBER NBR



5-0	HUT.M50.MS	M50x1.5	SW 55	9	40.5	Ø24-35
4-0	HUT.M40.MS	M40x1.5	SW 43	8	33.0	Ø19-27
3-2	HUT.M32.MS	M32x1.5	SW 34	8	30.0	Ø14-21
2-5	HUT.M25.MS	M25x1.5	SW 27	7	29.5	Ø11-16
2-0	HUT.M20.MS	M20x1.5	SW 22	6	27.5	Ø9-13
1-6	HUT.M16.MS	M16x1.5	SW 17	5	25.0	Ø5-9
PART NO.	DESCRIPTION	"A"	"B"	"E"	"D"	"RANGE"
DIMENSIONS						

THIS DRAWING IS A CONTROLLED DOCUMENT.		DWN H.BRAUN 20DEC2006	STE TE Connectivity											
DIMENSIONS: mm		CHK -												
TOLERANCES UNLESS OTHERWISE SPECIFIED:		APVD T.SCHNURPFEL 20DEC2006	ASS'Y CABLE GLAND SERIES HUT-MS, METRIC											
<table border="0"> <tr><td>0 PLC</td><td>±</td></tr> <tr><td>1 PLC</td><td>±</td></tr> <tr><td>2 PLC</td><td>±</td></tr> <tr><td>3 PLC</td><td>±</td></tr> <tr><td>4 PLC</td><td>±</td></tr> <tr><td>ANGLES</td><td>±1°</td></tr> </table>		0 PLC				±	1 PLC	±	2 PLC	±	3 PLC	±	4 PLC	±
0 PLC	±													
1 PLC	±													
2 PLC	±													
3 PLC	±													
4 PLC	±													
ANGLES	±1°													
MATERIAL -		FINISH -	APPLICATION SPEC -	SIZE A3	CAGE CODE 00779	DRAWING NO C=1102770	RESTRICTED TO -							
CUSTOMER DRAWING			WEIGHT -	SCALE 1:1	SHEET 1 OF 1	REV A4								

Mouser Electronics

Authorized Distributor

Click to View Pricing, Inventory, Delivery & Lifecycle Information:

[TE Connectivity:](#)

[4-1102770-0](#)