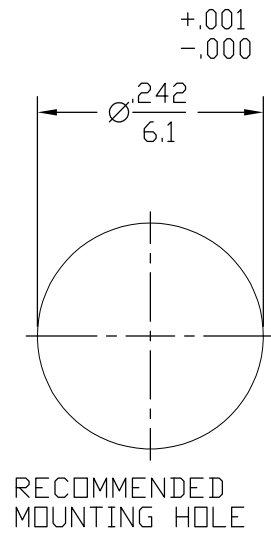
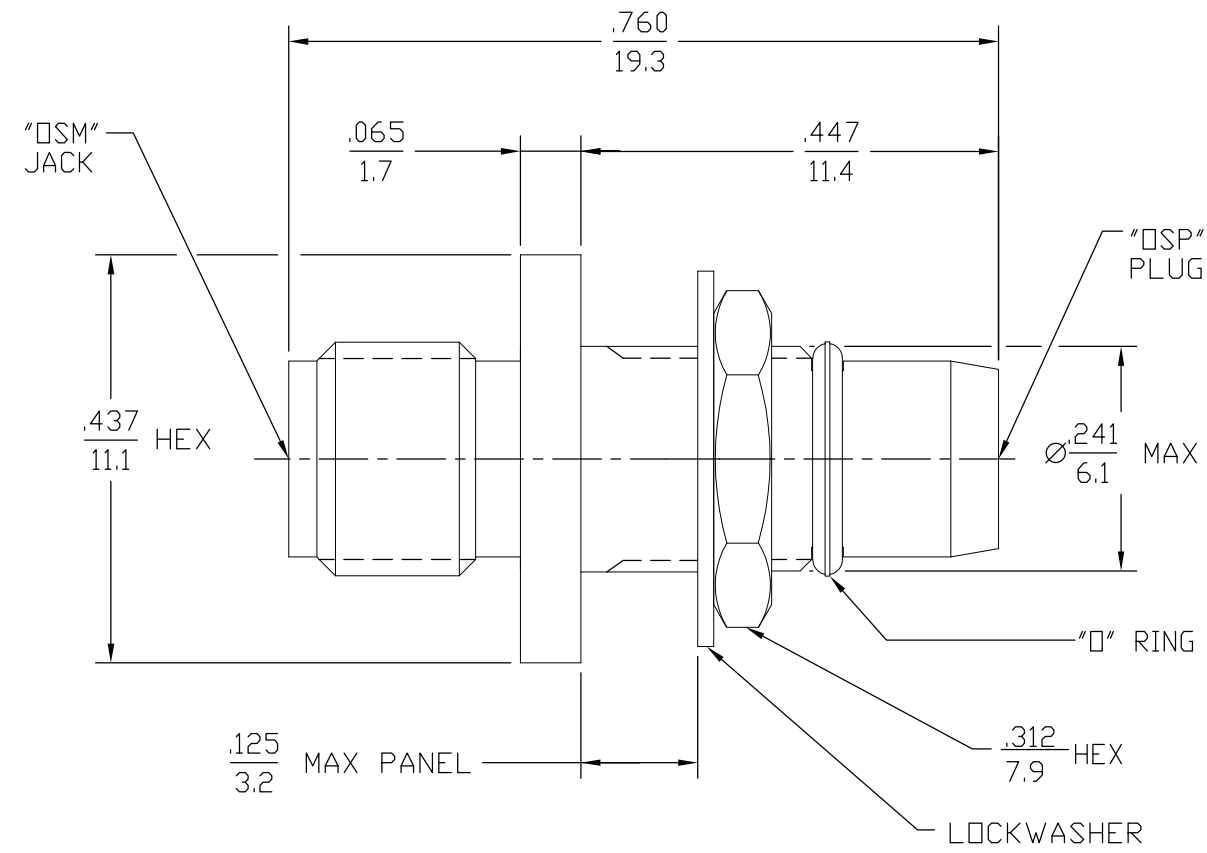


| REVISIONS | | | |
|-----------|---------------------------|---------|----------|
| REV | DESCRIPTION | DATE | APPROVED |
| B1 | REVISED PER ECO-11-005030 | 11MAR11 | HMR |



| COMPONENT | MATERIAL | FINISH |
|---------------------------------------|--|-------------------------------|
| HOUSING MOUNTING NUT LOCKWASHER | STAINLESS STEEL PER ASTM-A484 AND ASTM- A582, TYPE 303 | PASSIVATE PER QQ-P-35 |
| DIELECTRIC | TFE FLUOROCARBON PER ASTM-D-1457 | N/A |
| CENTER CONTACT | BERYLLIUM COPPER PER ASTM-B-196 OR ASTM-B-197, ALLOY C17300, CONDITION H | GOLD PLATE PER MIL-G-45204 |
| O-RING | FLOUROSILICONE PER MIL-R- 25988, CLASS I, TYPE I. | N/A |

NOTE:

- CAPTURED CENTER CONTACT

.XXX = in
XX.X = mm (REF)

| | | |
|--|-------------------------------|-----------------|
| UNLESS OTHERWISE SPECIFIED DIMENSIONS ARE IN INCHES | DRAWN BY K.I.E. | DATE 9-10-96 |
| | CHECKED BY | |
| | APP'D BY <i>D. Comello</i> | 9/10/96 |



| | | | |
|---------------------|--|-------------------------|--------------|
| USE ASS'Y PROCEDURE | TITLE OSM JACK TO OSP BULKHEAD FEEDTHROUGH PLUG ADAPTER | | |
| ND. A.P. N/A | SIZE B | CODE IDENT NO. 26805 | REV B1 |
| CUSTOMER DRAWING | SCALE 5:1 | N/A | SHEET 1 OF 1 |

Mouser Electronics

Authorized Distributor

Click to View Pricing, Inventory, Delivery & Lifecycle Information:

[TE Connectivity:](#)

[4585-2240-02](#)