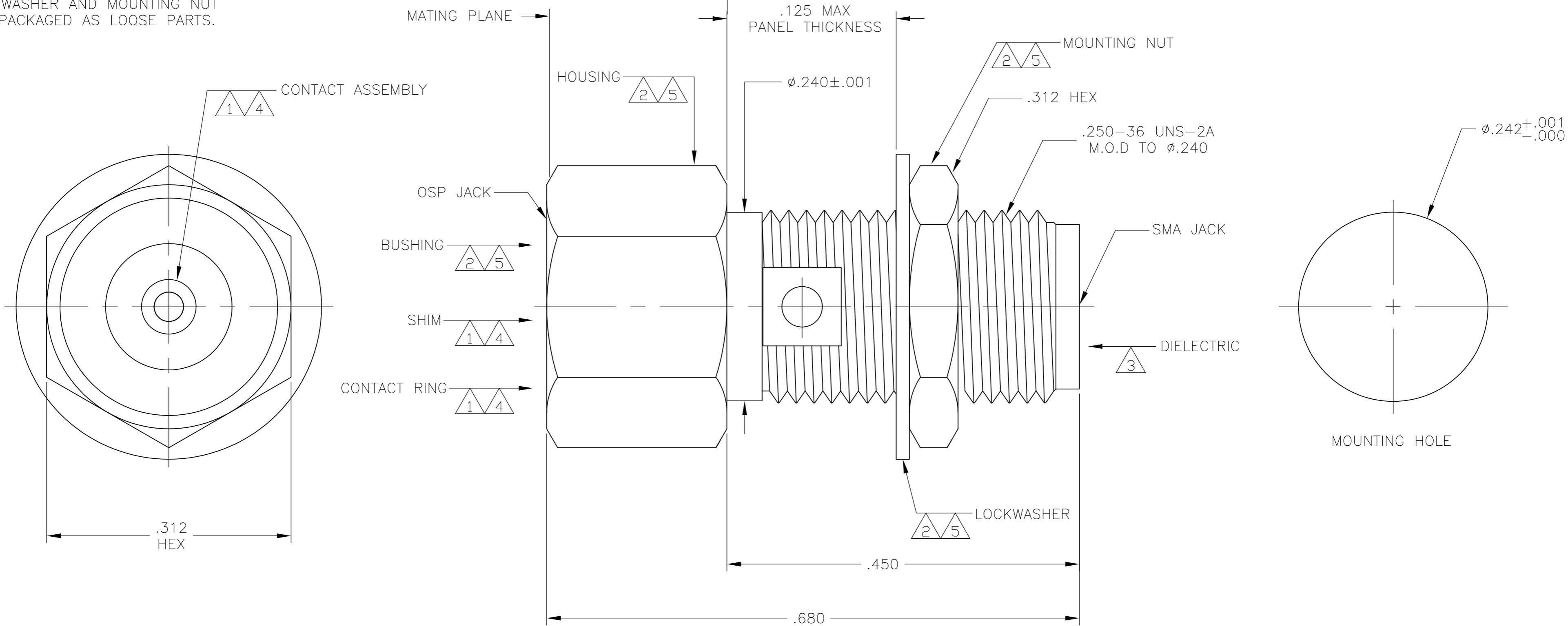


THIS DRAWING IS UNPUBLISHED. RELEASED FOR PUBLICATION
 © COPYRIGHT - By - ALL RIGHTS RESERVED.

LOC	DIST	REVISIONS			
P	LTR	DESCRIPTION	DATE	DWN	APVD
AJ	00	A1	ECR-12-005726	27MAR12	RK MY

- 1 BERYLLIUM COPPER PER ASTM-B-196
- 2 STAINLESS STEEL PER ASTM-A-582
- 3 PTFE PER ASTM-D-1710
- 4 GOLD PER ASTM-B-488
- 5 PASSIVATED PER AMS 2700B
- 6. LOCKWASHER AND MOUNTING NUT ARE PACKAGED AS LOOSE PARTS.



1059733-1
 PART NUMBER

THIS DRAWING IS A CONTROLLED DOCUMENT.		DWN	07AUG2008	TE TE Connectivity	
DIMENSIONS: INCHES		CHK	14AUG2008		
TOLERANCES UNLESS OTHERWISE SPECIFIED:		J.LIPPERT		NAME	
0 PLC ± -		J.LIPPERT			
1 PLC ± -		APVD		PRODUCT SPEC	
2 PLC ± -		14AUG2008			
3 PLC ± .005		J.LIPPERT		APPLICATION SPEC	
4 PLC ± -		PRODUCT SPEC			
ANGLES ± -		-		SIZE	
FINISH		-			
MATERIAL		WEIGHT		DRAWING NO	
-		-			
		CUSTOMER DRAWING		A2 00779	
		SCALE		10:1	
		SHEET		1 of 1	
		REV		A1	

1059733

Mouser Electronics

Authorized Distributor

Click to View Pricing, Inventory, Delivery & Lifecycle Information:

[TE Connectivity:](#)

[4584-2244-02](#)