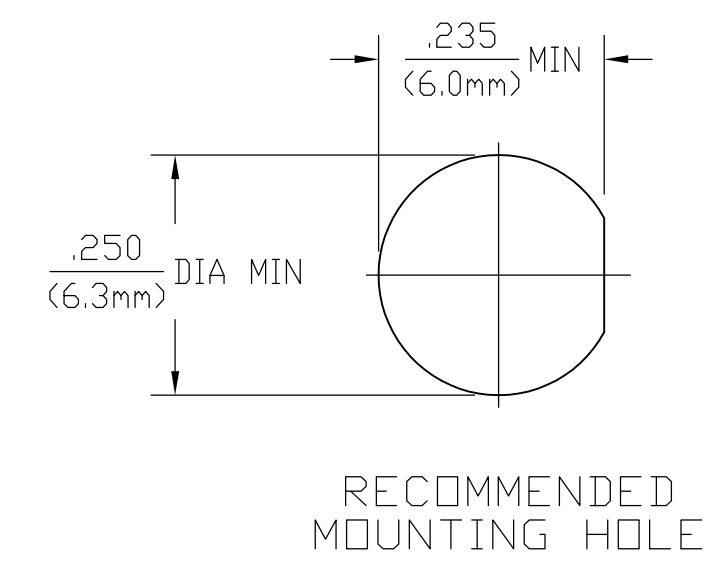
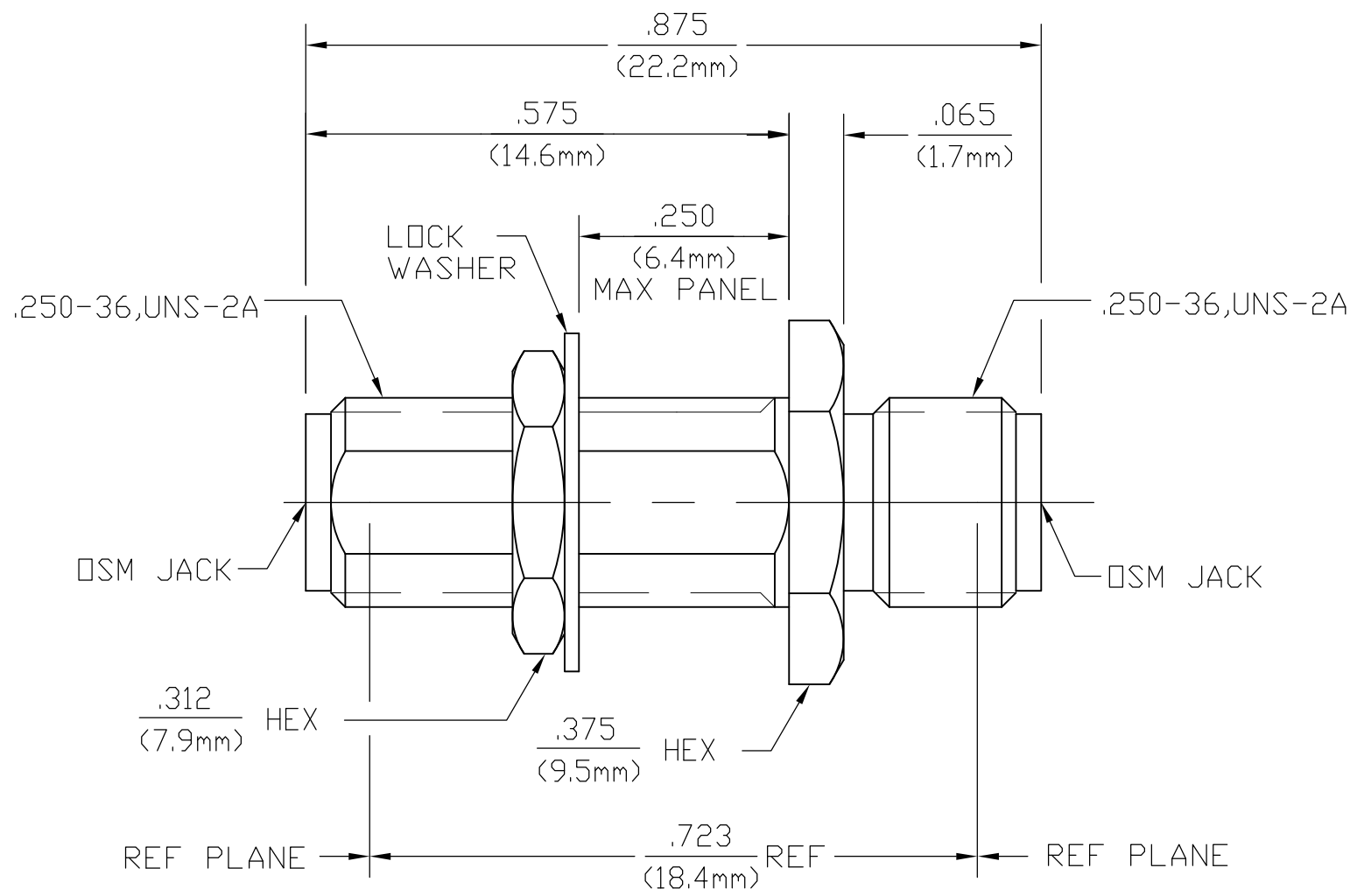


THIS DRAWING IS UNPUBLISHED. RELEASED FOR PUBLICATION
 © COPYRIGHT - By - ALL RIGHTS RESERVED.

LOC	DIST	REVISIONS					
AJ	16	P	LTR	DESCRIPTION	DATE	DWN	APVD
		B1		REVISED PER ECO-11-005030	11MAR11	RK	HMR



ELECTRICAL	MECHANICAL	ENVIRONMENTAL	HOUSING	DIELECTRIC	CENTER CONTACT	COMPONENT	MATERIAL	FINISH	PACKAGING	PART NUMBER
Nominal Impedance (Ohms) <u>50</u>	Interface Dimensions MIL-STD-348A, Fig. 310.2 BOTH ENDS	TEMPERATURE RATING <u>-65°C TO +125°C</u>	STAINLESS STEEL PER ASTM-A484 AND ASTM-A582, TYPE 303	TFE FLUOROCARBON PER ASTM-D-1457	BERYLLIUM COPPER PER ASTM B 196, ALLOY C17300, CONDITION H	THIS DRAWING IS A CONTROLLED DOCUMENT.		PASSIVATE PER ASTM-A380	KIT	1054869-3
Frequency Range (GHz) <u>DC to 18</u>	Recommended Mating Torque <u>N/A</u>	Vibration MIL-STD-202, Method 204, Condition D.				DIMENSIONS: INCHES[MM]		N/A	BULK	1054869-1
Volt Rating (VRMS MAX) @ Sea Level <u>335</u>	Mating Characteristics: Insertion (MAX Lbs) <u>3.0</u>	Shock MIL-STD-202, Method 213, Condition I.				TOLERANCES UNLESS OTHERWISE SPECIFIED:		GOLD PLATE PER MIL-G-45204 OVER COPPER PLATE PER MIL-C-14550		
VSWR <u>1.05 +.005</u>	Withdrawal (MIN Oz) <u>1.0</u>	Thermal Shock MIL-STD-202, Method 107, Condition C, except HIGH TEMP SHALL BE +115°C.				0 PLC ± -				
Insertion Loss (dB MAX) <u>.03 √f(GHz)</u>	Force to Engage and Disengage (In-Lbs MAX) <u>2.0</u>	Moisture Resistance MIL-STD-202, Method 106				1 PLC ± -				
RF Leakage (dB MIN) <u>60 @ 2 to 3 GHz</u>	Center Contact Captivation Axial (Lbs) <u>6.0</u>	Corrosion - MIL-STD-202, Method 101, Condition B, 5% salt spray				2 PLC ± -				
Corona, 70,000 Ft (VRMS MIN) <u>250</u>	Radial (In-Oz) <u>4.0</u>					3 PLC ± .005				
Dielectric Withstanding Voltage (VRMS MIN) @ Sea Level <u>1,500</u>	Cable Retention Axial Force (Lbs) <u>N/A</u>					4 PLC ± -				
Contact Resistance (Milliohms MAX) Center Contact <u>4.0</u>	Torque (In-Oz) <u>N/A</u>					ANGLES ± 1°				
Outer Contact <u>2.0</u>	Weight (Grams) <u>3.8</u>									
Cable to Housing <u>N/A</u>										
RF High Potential @ Sea Level (VRMS MIN @ 5 MHz) <u>670</u>										
I.R.(Megohms MIN) <u>5,000</u>										

STE TE Connectivity

OSM BULKHEAD FEEDTHROUGH JACK TO JACK ADAPTER

APVD: E.F. HOYLE 1/25/89, L. ROSS 2/10/89, [Signature] 2/22/89

PRODUCT SPEC, APPLICATION SPEC, WEIGHT: -

SIZE: A3, CAGE CODE: 00779, DRAWING NO: C-1054869, RESTRICTED TO: -

CUSTOMER DRAWING, SCALE: 5:1, SHEET: 1 OF 1, REV: B1

Mouser Electronics

Authorized Distributor

Click to View Pricing, Inventory, Delivery & Lifecycle Information:

[TE Connectivity:](#)

[2084-0000-02](#) [2084 0000 02](#)