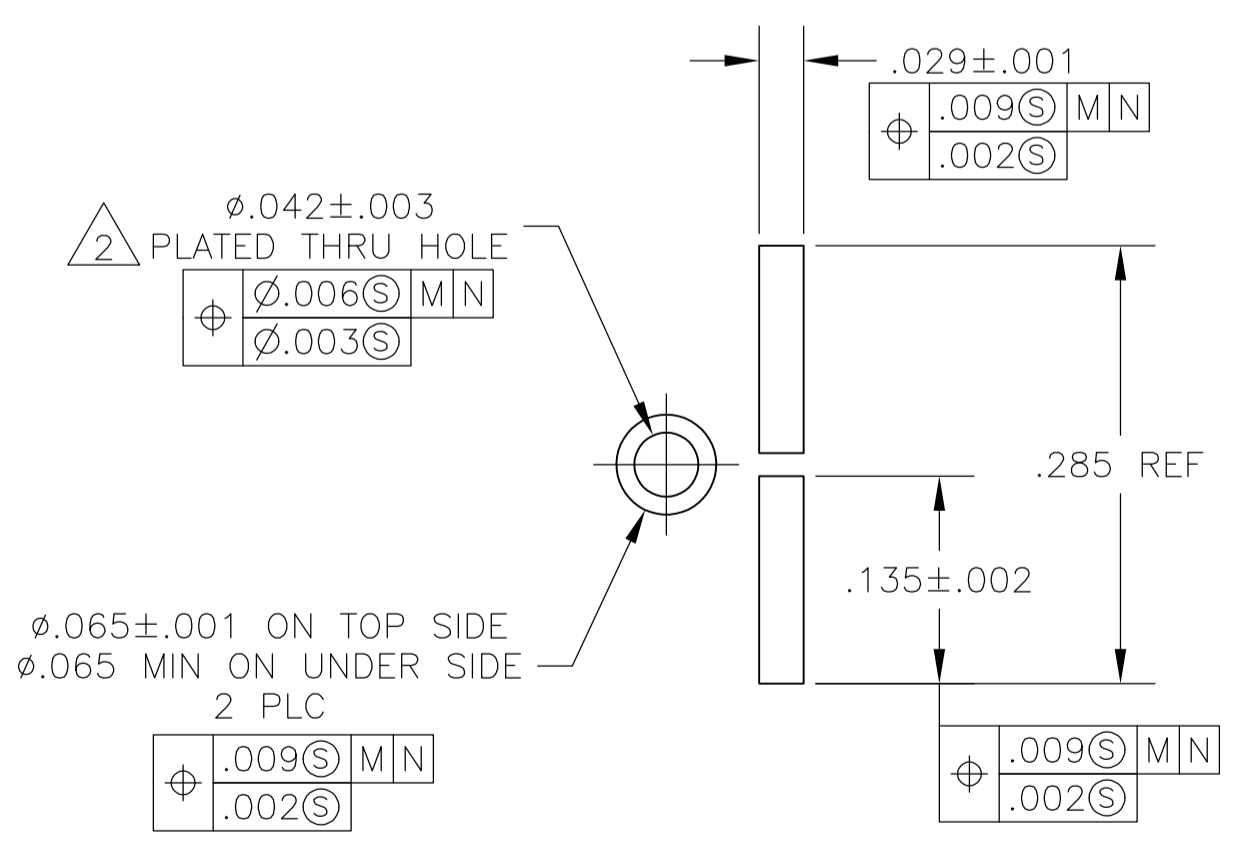
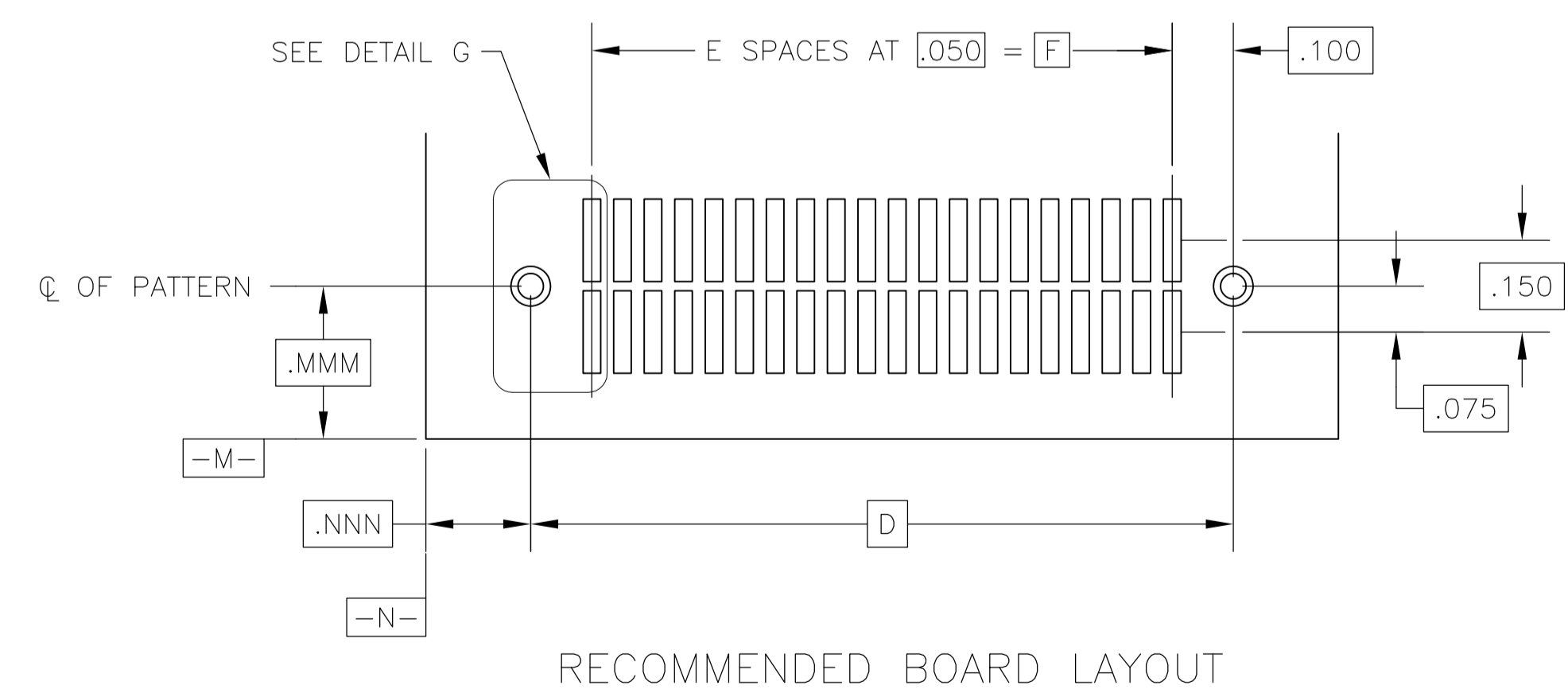
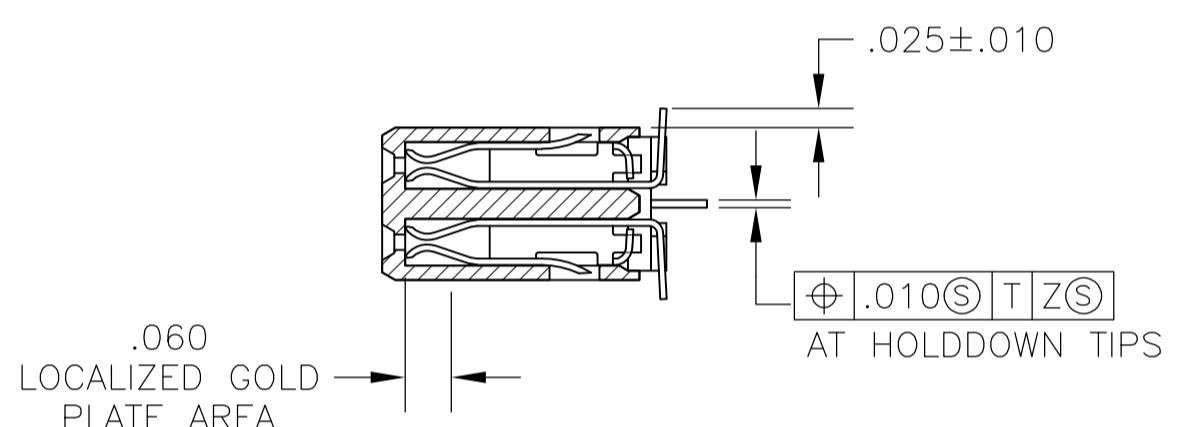
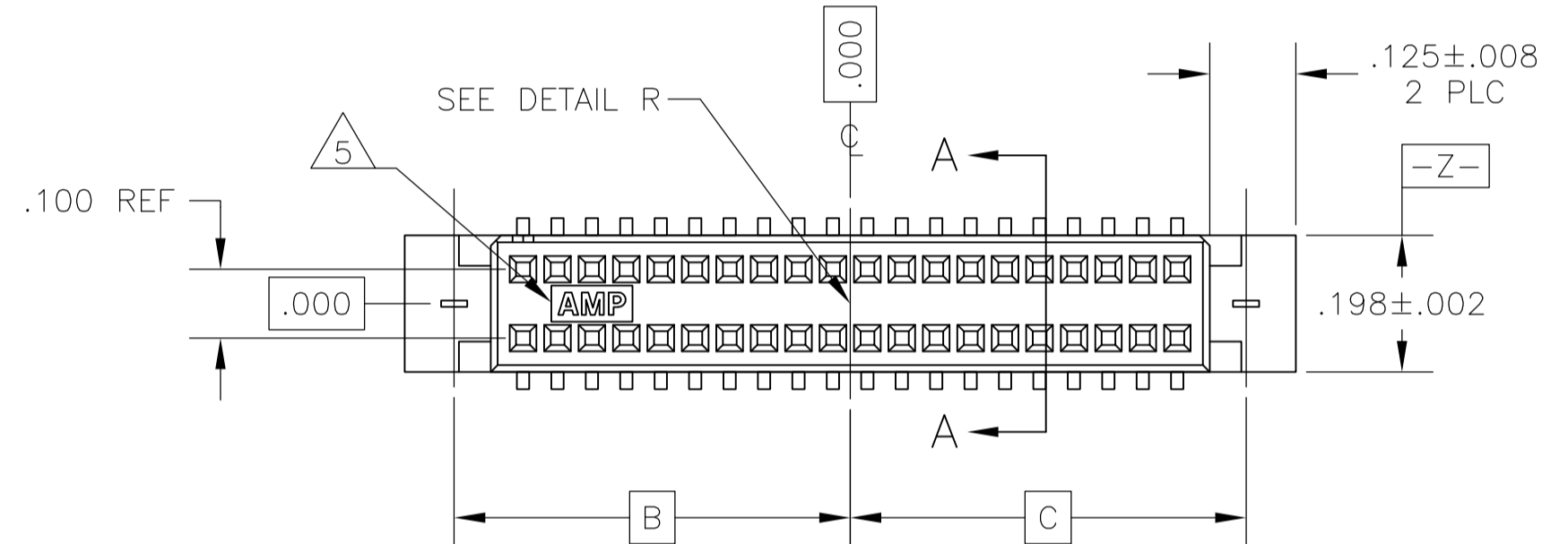
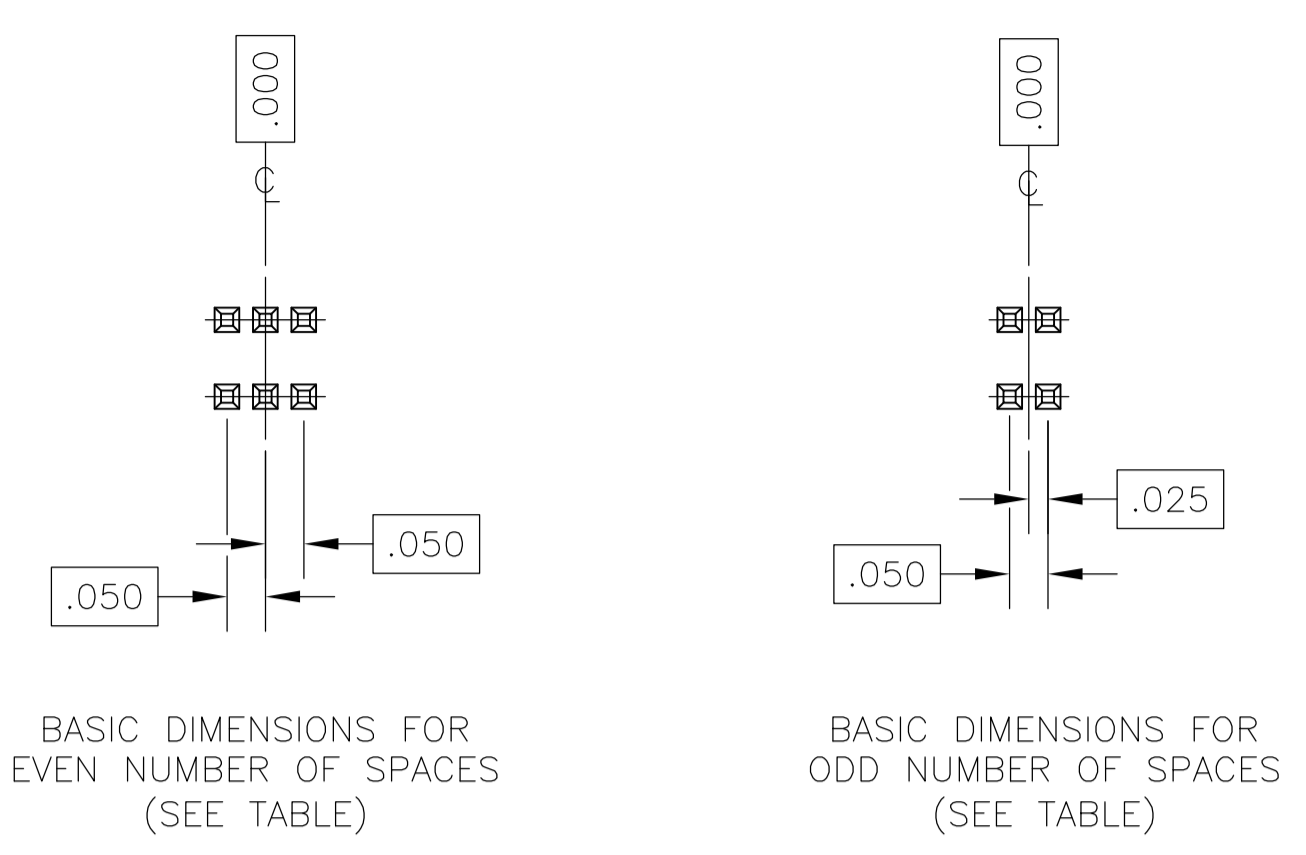
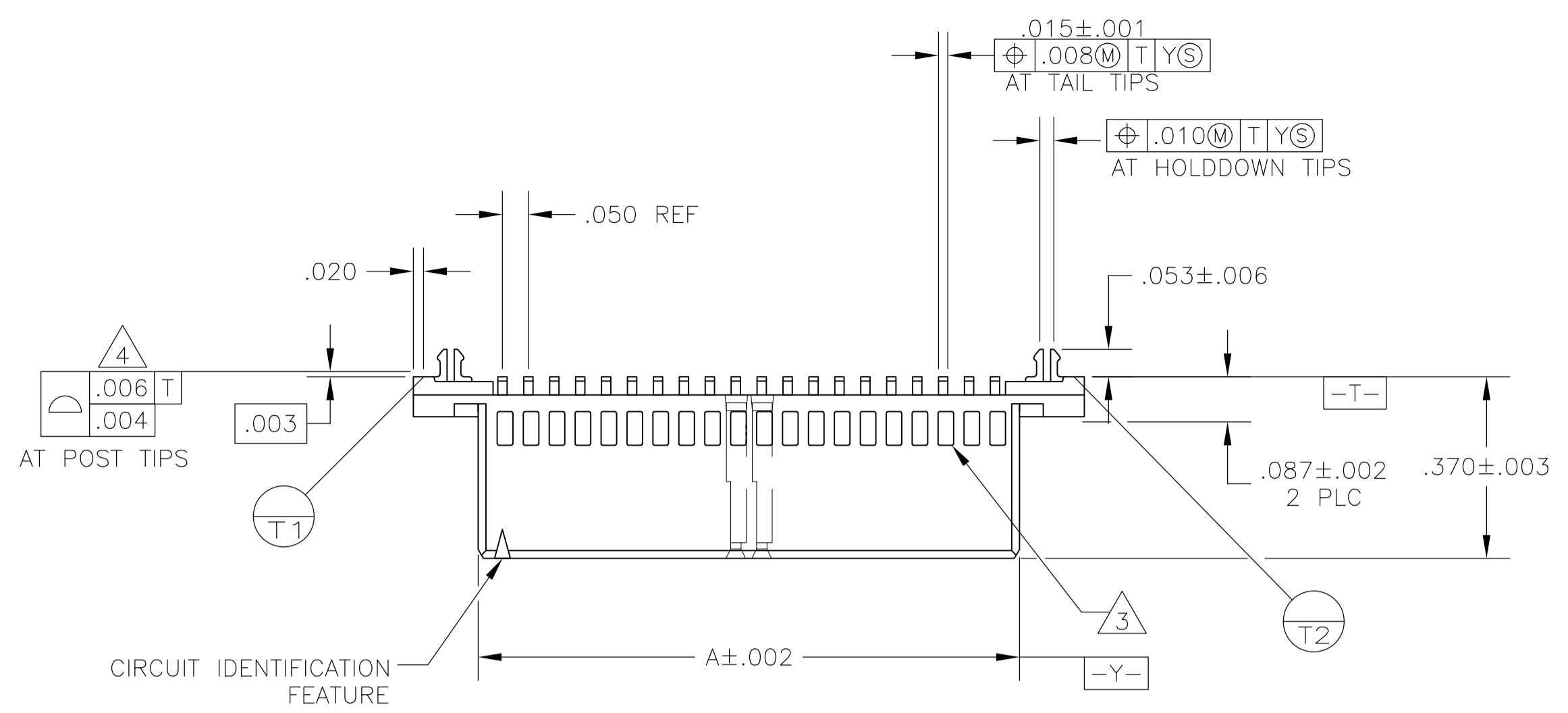


LOC		DIST		REVISIONS				
P	LTR	DATE	DMN	APVD				
AD	00	U	REVISED PER ECO-14-004696	14APR2014	NK	JO		



THIS DRAWING IS A CONTROLLED DOCUMENT.		DIN R.K. SEIFRIED/UTA 07/16/92		CHK B. FLICKER 10/23/92		NAME		RECEPTACLE ASSEMBLY, VERTICAL, DOUBLE ROW, SURFACE MOUNT, AMPMODU System 50																			
DIMENSIONS: INCHES		TOLERANCES UNLESS OTHERWISE SPECIFIED:		APVD B. FLICKER 10/23/92		PRODUCT SPEC		APPLICATION SPEC																			
<table border="1"> <tr><td>0 PLC</td><td>±</td><td>-</td></tr> <tr><td>1 PLC</td><td>±</td><td>-</td></tr> <tr><td>2 PLC</td><td>±</td><td>-</td></tr> <tr><td>3 PLC</td><td>±</td><td>.005</td></tr> <tr><td>4 PLC</td><td>±</td><td>-</td></tr> <tr><td>ANGLES</td><td>±</td><td>-</td></tr> </table>		0 PLC	±	-	1 PLC	±	-	2 PLC	±	-	3 PLC	±	.005	4 PLC	±	-	ANGLES	±	-	FINISH SEE TABLE		WEIGHT		SIZE CAGE CODE DRAWING NO		RESTRICTED TO	
0 PLC	±	-																									
1 PLC	±	-																									
2 PLC	±	-																									
3 PLC	±	.005																									
4 PLC	±	-																									
ANGLES	±	-																									
MATERIAL HOUSING: PPA COLOR: BLACK CONTACT: PHOS BRONZE		SCALE 4:1		A1 00779 C=104550		SHEET 1 OF 2		REV U																			
CUSTOMER DRAWING																											

- ① .000030 GOLD IN LOCALIZED PLATE AREA, .000150 TIN-LEAD ON SOLDER TAILS ALL OVER .000050 NICKEL.
- ② USE .0465±.0010 DRILLED HOLE (#56 DRILL) FINISH TO BE TIN-LEAD OVER .001 MINIMUM COPPER.
- ③ WINDOWS SHOWN ON SIDE OF HOUSING ARE MOLDERS OPTION.
- ④ REFER TO NO. OF POSN. IN CHART FOR NUMBER OF SURFACES WHICH ARE COPLANAR.
- ⑤ AMP LOGO PRESENCE AND LOCATION OPTIONAL.
- ⑥ .000030 GOLD IN LOCALIZED PLATE AREA, .000150 TIN ON SOLDER TAILS, ALL OVER .000050 NICKEL.
- ⑦ PRELIMINARY PART - NOT RELEASED FOR PRODUCTION.
- ⑧ SUPERSEDED BY 5-104550-1
- ⑨ FINISH: .000001 MIN GOLD ON GOLD PLATED AREA. .000150-.000250 MATTE TIN-LEAD ON TIN PLATED AREA. UNDER PLATING: .000050-.000100 NICKEL ON ENTIRE CONTACT
- ⑩ FINISH: .000001 MIN GOLD ON GOLD PLATED AREA. .000150-.000250 MATTE TIN ON TIN PLATED AREA. UNDER PLATING: .000050-.000100 NICKEL ON ENTIRE CONTACT

⑩	2.450	49	2.650	1.325	1.325	2.544	100	7-104550-9
	1.950	39	2.150	1.075	1.075	2.044	80	7-104550-8
	1.450	29	1.650	.825	.825	1.544	60	7-104550-7
	1.200	24	1.400	.700	.700	1.294	50	7-104550-6
	.950	19	1.150	.575	.575	1.044	40	7-104550-5
	.700	14	.900	.450	.450	.794	30	7-104550-4
	.550	11	.750	.375	.375	.644	24	7-104550-3
	.450	9	.650	.325	.325	.544	20	7-104550-2
.200	4	.400	.200	.200	.294	10	7-104550-1	
⑥	2.450	49	2.650	1.325	1.325	2.544	100	5-104550-9
	1.950	39	2.150	1.075	1.075	2.044	80	5-104550-8
	1.450	29	1.650	.825	.825	1.544	60	5-104550-7
	1.200	24	1.400	.700	.700	1.294	50	5-104550-6
	.950	19	1.150	.575	.575	1.044	40	5-104550-5
	.700	14	.900	.450	.450	.794	30	5-104550-4
	.550	11	.750	.375	.375	.644	24	5-104550-3
	.450	9	.650	.325	.325	.544	20	5-104550-2
.200	4	.400	.200	.200	.294	10	5-104550-1	
FINISH	F	E	D	C	B	A	NO OF POSN	PART NUMBER

⑨	2.450	49	2.650	1.325	1.325	2.544	100	2-104550-9
	1.950	39	2.150	1.075	1.075	2.044	80	2-104550-8
	1.450	29	1.650	.825	.825	1.544	60	2-104550-7
	1.200	24	1.400	.700	.700	1.294	50	2-104550-6
	.950	19	1.150	.575	.575	1.044	40	2-104550-5
	.700	14	.900	.450	.450	.794	30	2-104550-4
	.550	11	.750	.375	.375	.644	24	2-104550-3
	.450	9	.650	.325	.325	.544	20	2-104550-2
.200	4	.400	.200	.200	.294	10	2-104550-1	
①	2.450	49	2.650	1.325	1.325	2.544	100	104550-9
	1.950	39	2.150	1.075	1.075	2.044	80	104550-8
	1.450	29	1.650	.825	.825	1.544	60	104550-7
	1.200	24	1.400	.700	.700	1.294	50	104550-6
	.950	19	1.150	.575	.575	1.044	40	104550-5
	.700	14	.900	.450	.450	.794	30	104550-4
	.550	11	.750	.375	.375	.644	24	104550-3
	.450	9	.650	.325	.325	.544	20	104550-2
.200	4	.400	.200	.200	.294	10	104550-1	
FINISH	F	E	D	C	B	A	NO OF POSN	PART NUMBER

THIS DRAWING IS A CONTROLLED DOCUMENT.		DIN	07/16/92	TE Connectivity
		CHK	10/23/92	
DIMENSIONS: INCHES		TOLERANCES UNLESS OTHERWISE SPECIFIED:		RECEPTACLE ASSEMBLY, VERTICAL, DOUBLE ROW, SURFACE MOUNT, AMPMODU System 50
		0. PLC	± .005	
		1. PLC	± .005	
		2. PLC	± .005	
		3. PLC	± .005	
MATERIAL		FINISH	SEE TABLE	SIZE: A1 CAGE CODE: 104550 DRAWING NO: 00779
		WEIGHT	—	SCALE: 4:1 SHEET: 2 OF 2 REV: U

# Mouser Electronics

Authorized Distributor

Click to View Pricing, Inventory, Delivery & Lifecycle Information:

[TE Connectivity:](#)

[5-104550-2](#)