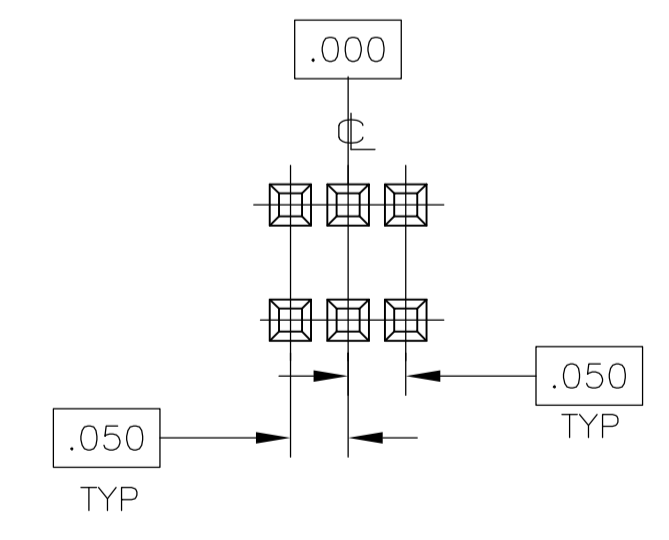
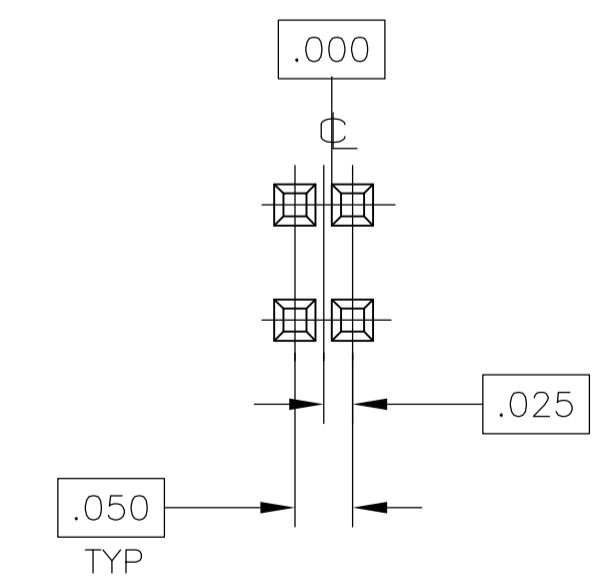


RECOMMENDED HOLE PATTERN SCALE 6:1



BASIC DIMENSIONS FOR EVEN NO OF SPACES (SEE TABLE)



BASIC DIMENSIONS FOR ODD NO OF SPACES (SEE TABLE)

- 1 CONTACT AREA PLATED WITH .000030 GOLD; SOLDER TAILS PLATED WITH .000150 TIN-LEAD, ALL OVER .000050 NICKEL
- 2 POINT OF MEASUREMENT FOR GOLD PLATING THICKNESS IS .030 FROM MATING END OF CONTACT
- 3 HOUSING: THERMOPLASTIC, COLOR-BLACK. POST: COPPER ALLOY.
- 4 THE NOTED DIMENSIONS APPLY AT THE INTERSECTION OF THE POST AND HOUSING.
- 5 WINDOWS ON SIDE OF HOUSING AND RIBS ON BOTTOM OF HOUSING ARE MOLDERS OPTION.
- 6 AMP LOGO PRESENCE AND LOCATION OPTIONAL.
- 7 CONTACT AREA PLATED WITH .000030 GOLD; SOLDER TAILS PLATED WITH .000150 TIN, ALL OVER .000050 NICKEL
- 8 FINISH: .000001 MIN GOLD ON GOLD PLATED AREA. .000150-.000250 MATTE TIN-LEAD ON TIN PLATED AREA. UNDER PLATING TO BE .000050-.000100 NICKEL ON ENTIRE CONTACT.
- 9 FINISH: .000001 MIN GOLD ON GOLD PLATED AREA. .000150-.000250 MATTE TIN ON TIN PLATED AREA. UNDER PLATING TO BE .000050-.000100 NICKEL ON ENTIRE CONTACT.
- 10 PRELIMINARY PART - NOT RELEASED FOR PRODUCTION
- 11 OBSOLETE PARTS: OBSOLETE CIS STREAMLINING PER D.RENAUD/D.SINISI
- 12 OBSOLETE

| | | | | | |
|--|--|--|--|------------------------------|--|
| THIS DRAWING IS A CONTROLLED DOCUMENT. | | DIN D CLOUSER 1-15-87 | | STE TE Connectivity | |
| DIMENSIONS: INCHES | | TOLERANCES UNLESS OTHERWISE SPECIFIED: | | APVD T KOCHER | |
| 0. PLC ± - | | 1. PLC ± - | | NAME | |
| 1. PLC ± - | | 2. PLC ± - | | PRODUCT SPEC | |
| 2. PLC ± - | | 3. PLC ± .005 | | 108-1093 | |
| 3. PLC ± - | | 4. PLC ± - | | APPLICATION SPEC | |
| 4. PLC ± - | | ANGLES ± ± - | | 114-25031 | |
| MATERIAL | | FINISH SEE TABLE | | SIZE CAGE CODE DRAWING NO | |
| 3 | | | | A1 00779 C=104078 | |
| | | WEIGHT | | RESTRICTED TO | |
| | | CUSTOMER DRAWING | | SCALE 4:1 SHEET 1 OF 2 REV V | |

| | | | | | | |
|---|--------|----|-------|-----|-----------|-------------|
| 9 | .300 | 6 | .394 | 14 | 10 | 8-104078-4 |
| | 1.650 | 33 | 1.744 | 68 | 10 | 8-104078-3 |
| | 1.750 | 35 | 1.844 | 72 | 10 | 8-104078-2 |
| | .350 | 7 | .444 | 16 | 10 | 8-104078-1 |
| | .800 | 16 | .894 | 34 | 10 | 8-104078-0 |
| | .550 | 11 | .644 | 24 | 10 | 7-104078-9 |
| | 2.450 | 49 | 2.544 | 100 | 10 | 7-104078-8 |
| | 1.950 | 39 | 2.044 | 80 | 10 | 7-104078-7 |
| | 1.450 | 29 | 1.544 | 60 | 10 | 7-104078-6 |
| | 1.200 | 24 | 1.294 | 50 | 10 | 7-104078-5 |
| | .700 | 14 | .794 | 30 | 10 | 7-104078-4 |
| | .200 | 4 | .294 | 10 | 10 | 7-104078-3 |
| | .950 | 19 | 1.044 | 40 | 10 | 7-104078-2 |
| | .450 | 9 | .544 | 20 | 10 | 7-104078-1 |
| | FINISH | C | B | A | NO OF POS | PART NUMBER |

| | | | | | | |
|---|--------|----|-------|-----|-----------|-------------|
| 8 | .300 | 6 | .394 | 14 | 10 | 3-104078-4 |
| | 1.650 | 33 | 1.744 | 68 | 10 | 3-104078-3 |
| | 1.750 | 35 | 1.844 | 72 | 10 | 3-104078-2 |
| | .350 | 7 | .444 | 16 | 10 | 3-104078-1 |
| | .800 | 16 | .894 | 34 | 10 | 3-104078-0 |
| | .550 | 11 | .644 | 24 | 10 | 2-104078-9 |
| | 2.450 | 49 | 2.544 | 100 | 10 | 2-104078-8 |
| | 1.950 | 39 | 2.044 | 80 | 10 | 2-104078-7 |
| | 1.450 | 29 | 1.544 | 60 | 10 | 2-104078-6 |
| | 1.200 | 24 | 1.294 | 50 | 10 | 2-104078-5 |
| | .700 | 14 | .794 | 30 | 10 | 2-104078-4 |
| | .200 | 4 | .294 | 10 | 10 | 2-104078-3 |
| | .950 | 19 | 1.044 | 40 | 10 | 2-104078-2 |
| | .450 | 9 | .544 | 20 | 10 | 2-104078-1 |
| | FINISH | C | B | A | NO OF POS | PART NUMBER |

THIS DRAWING IS A CONTROLLED DOCUMENT.

| | | | | | | | | | | | | | |
|--------------------|--|-----------|-----------|-----------|--------------|-----------|------------|------------------|--------|-------|-------|----|-----|
| DIMENSIONS: INCHES | TOLERANCES UNLESS OTHERWISE SPECIFIED: | 0 PLC ± - | 1 PLC ± - | 2 PLC ± - | 3 PLC ± .005 | 4 PLC ± - | ANGLES ± - | FINISH SEE TABLE | WEIGHT | SCALE | SHEET | OF | REV |
| | | | | | | | | | | 4:1 | 2 | 2 | V |

DIB: D. CLOUSER 1-15-87
 CHK: T. KOCHER 1-15-87
 APVD: T. KOCHER
 NAME: STE TE Connectivity
 PRODUCT SPEC: 108-1093
 APPLICATION SPEC: 114-25031
 SIZE: A1
 CAGE CODE: 00779
 DRAWING NO: 104078
 RESTRICTED TO: CUSTOMER DRAWING
 SCALE: 4:1 SHEET 2 OF 2 REV V

Mouser Electronics

Authorized Distributor

Click to View Pricing, Inventory, Delivery & Lifecycle Information:

[TE Connectivity:](#)

[104078-1](#)