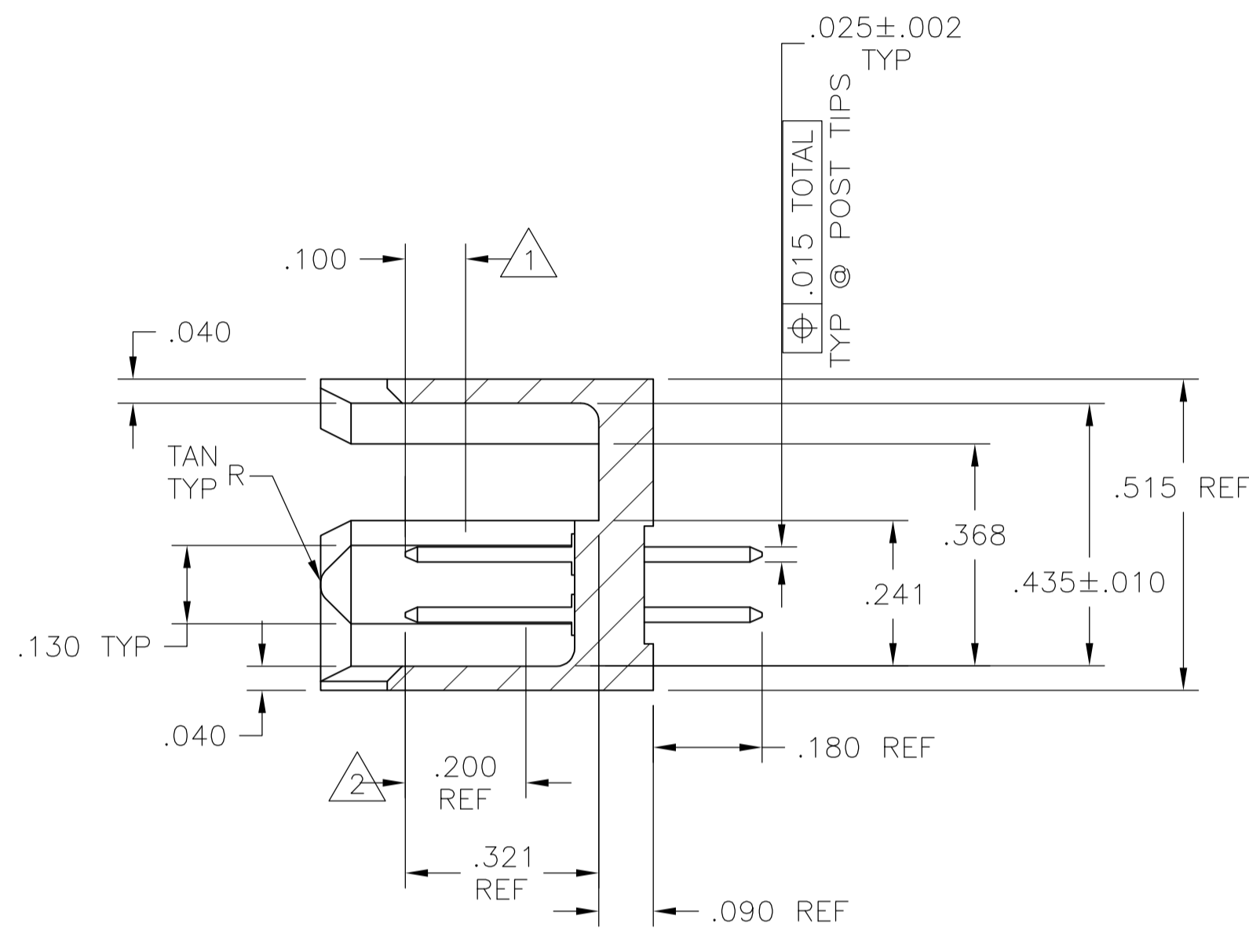
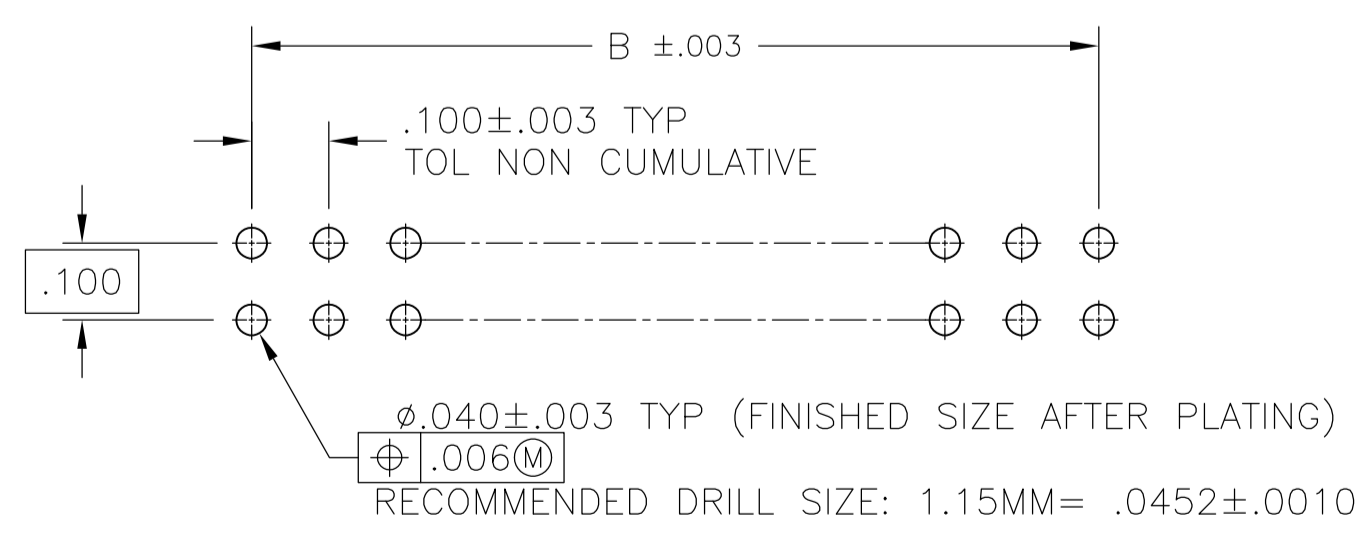


| LOC |         | DIST |               | REVISIONS |    |      |  |
|-----|---------|------|---------------|-----------|----|------|--|
| F   | LTR     | PER  | ECO           | DATE      | DN | APVD |  |
| LS  | REVISED | PER  | ECO-13-015097 | 25SEP2013 | KH | JO   |  |



- 1 POINT OF MEASUREMENT FOR PLATING THICKNESS.
- 2 FINISH OVER INDICATED AREA: .000030 GOLD OVER .000050 NICKEL.
- 3 FINISH OVER INDICATED AREA: .000100-.000200 BRIGHT TIN LEAD OVER .000050 NICKEL.
- 4 RECESSED DATE CODE AND LOGO.
- 5 OBSOLETE PART NUMBER.
- 6 PRELIMINARY PART - NOT RELEASED FOR PRODUCTION
- 7 FINISH OVER INDICATED AREA: .000100-.000200 MATTE TIN OVER .000050 NICKEL.
- 8 ROHS 2002/95/EC COMPLIANT
- 9 OBSOLETE PARTS: OBSOLETE CIS STREAMLINING PER D.RENAUD/D.SINISI



| NO. OF POSN | A   | B  | C ± .010 | D     | E      | PART NUMBER |
|-------------|-----|----|----------|-------|--------|-------------|
| 12          | 26  | 12 | 1.600    | 1.200 | 1.570  | 7-102692-9  |
| 79          | 160 | 79 | 8.300    | 7.900 | 8.270  | 7-102692-8  |
| 46          | 94  | 46 | 5.000    | 4.600 | 4.970  | 7-102692-7  |
| 21          | 44  | 21 | 2.500    | 2.100 | 2.470  | 7-102692-6  |
| 6           | 14  | 6  | 1.000    | .600  | .970   | 7-102692-5  |
| 89          | 180 | 89 | 9.300    | 8.900 | 9.270  | 7-102692-4  |
| 73          | 148 | 73 | 7.700    | 7.300 | 7.670  | 7-102692-3  |
| 63          | 128 | 63 | 6.700    | 6.300 | 6.670  | 7-102692-2  |
| 69          | 140 | 69 | 7.300    | 6.900 | 7.270  | 7-102692-1  |
| 64          | 130 | 64 | 6.800    | 6.400 | 6.770  | 7-102692-0  |
| 42          | 86  | 42 | 4.600    | 4.200 | 4.570  | 6-102692-9  |
| 35          | 72  | 35 | 3.900    | 3.500 | 3.870  | 6-102692-8  |
| 14          | 30  | 14 | 1.800    | 1.400 | 1.770  | 6-102692-7  |
| 9           | 20  | 9  | 1.300    | .900  | 1.270  | 6-102692-6  |
| 7           | 16  | 7  | 1.100    | .700  | 1.070  | 6-102692-5  |
| 34          | 70  | 34 | 3.800    | 3.400 | 3.770  | 6-102692-4  |
| 19          | 40  | 19 | 2.300    | 1.900 | 2.270  | 6-102692-3  |
| 49          | 90  | 49 | 4.800    | 4.400 | 4.770  | 6-102692-2  |
| 99          | 200 | 99 | 10.300   | 9.900 | 10.270 | 6-102692-1  |
| 54          | 110 | 54 | 5.800    | 5.400 | 5.770  | 6-102692-0  |
| 59          | 120 | 59 | 6.300    | 5.900 | 6.270  | 5-102692-9  |
| 49          | 100 | 49 | 5.300    | 4.900 | 5.270  | 5-102692-8  |
| 47          | 96  | 47 | 5.100    | 4.700 | 5.070  | 5-102692-7  |
| 39          | 80  | 39 | 4.300    | 3.900 | 4.270  | 5-102692-6  |
| 29          | 60  | 29 | 3.300    | 2.900 | 3.270  | 5-102692-5  |
| 24          | 50  | 24 | 2.800    | 2.400 | 2.770  | 5-102692-4  |
| 17          | 36  | 17 | 2.100    | 1.700 | 2.070  | 5-102692-3  |
| 11          | 24  | 11 | 1.500    | 1.100 | 1.470  | 5-102692-2  |
| 5           | 12  | 5  | .900     | .500  | .870   | 5-102692-1  |
| 12          | 26  | 12 | 1.600    | 1.200 | 1.570  | 2-102692-9  |
| 79          | 160 | 79 | 8.300    | 7.900 | 8.270  | 2-102692-8  |
| 46          | 94  | 46 | 5.000    | 4.600 | 4.970  | 2-102692-7  |
| 21          | 44  | 21 | 2.500    | 2.100 | 2.470  | 2-102692-6  |
| 6           | 14  | 6  | 1.000    | .600  | .970   | 2-102692-5  |
| 89          | 180 | 89 | 9.300    | 8.900 | 9.270  | 2-102692-4  |
| 73          | 148 | 73 | 7.700    | 7.300 | 7.670  | 2-102692-3  |
| 63          | 128 | 63 | 6.700    | 6.300 | 6.670  | 2-102692-2  |
| 69          | 140 | 69 | 7.300    | 6.900 | 7.270  | 2-102692-1  |
| 64          | 130 | 64 | 6.800    | 6.400 | 6.770  | 2-102692-0  |
| 42          | 86  | 42 | 4.600    | 4.200 | 4.570  | 1-102692-9  |
| 35          | 72  | 35 | 3.900    | 3.500 | 3.870  | 1-102692-8  |
| 14          | 30  | 14 | 1.800    | 1.400 | 1.770  | 1-102692-7  |
| 9           | 20  | 9  | 1.300    | .900  | 1.270  | 1-102692-6  |
| 7           | 16  | 7  | 1.100    | .700  | 1.070  | 1-102692-5  |
| 34          | 70  | 34 | 3.800    | 3.400 | 3.770  | 1-102692-4  |
| 19          | 40  | 19 | 2.300    | 1.900 | 2.270  | 1-102692-3  |
| 49          | 90  | 49 | 4.800    | 4.400 | 4.770  | 1-102692-2  |
| 99          | 200 | 99 | 10.300   | 9.900 | 10.270 | 1-102692-1  |
| 54          | 110 | 54 | 5.800    | 5.400 | 5.770  | 1-102692-0  |
| 59          | 120 | 59 | 6.300    | 5.900 | 6.270  | 102692-9    |
| 49          | 100 | 49 | 5.300    | 4.900 | 5.270  | 102692-8    |
| 47          | 96  | 47 | 5.100    | 4.700 | 5.070  | 102692-7    |
| 39          | 80  | 39 | 4.300    | 3.900 | 4.270  | 102692-6    |
| 29          | 60  | 29 | 3.300    | 2.900 | 3.270  | 102692-5    |
| 24          | 50  | 24 | 2.800    | 2.400 | 2.770  | 102692-4    |
| 17          | 36  | 17 | 2.100    | 1.700 | 2.070  | 102692-3    |
| 11          | 24  | 11 | 1.500    | 1.100 | 1.470  | 102692-2    |
| 5           | 12  | 5  | .900     | .500  | .870   | 102692-1    |

THIS DRAWING IS A CONTROLLED DOCUMENT.

STE TE Connectivity

HEADER ASSEMBLY, MOD II, .100C.100CL, .025 SQ POSTS

APVD: J. GESFORD 12NOV98

SCALE: 4:1 SHEET 1 OF 1 REV 15

# Mouser Electronics

Authorized Distributor

Click to View Pricing, Inventory, Delivery & Lifecycle Information:

[TE Connectivity:](#)

[6-102692-8](#)