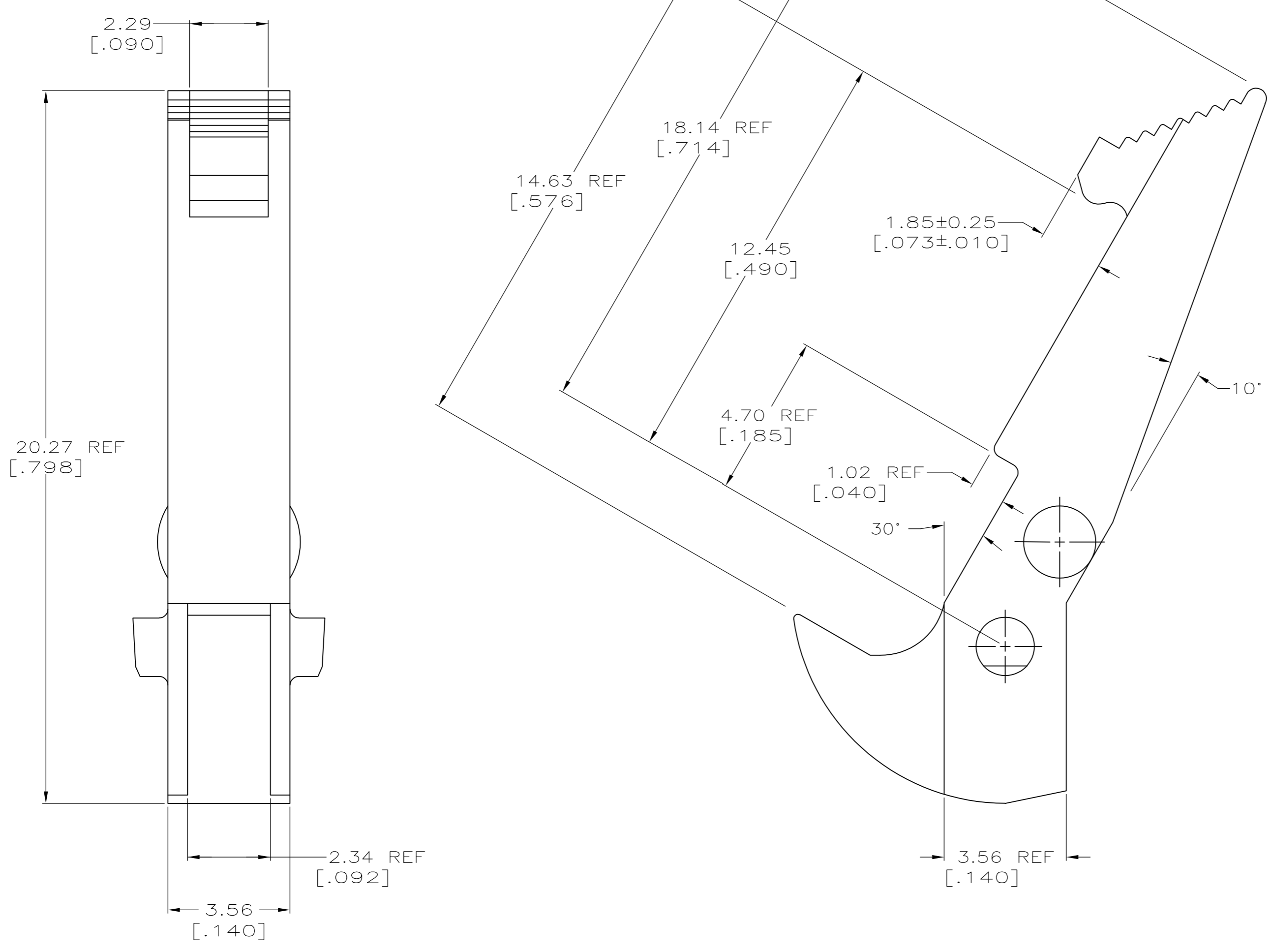


THIS DRAWING IS UNPUBLISHED. RELEASED FOR PUBLICATION
 © COPYRIGHT - By - ALL RIGHTS RESERVED.

LOC	DIST	REVISIONS			
P	LTR	DESCRIPTION	DATE	OWN	APVD
GP	00	F1 REVISED PER ECO-11-004835	11MAR11	RK	HMR



1. TO BE USED WITH AMP-LATCH™ UNIVERSAL HEADER WHICH MATES WITH AMP-LATCH™ CONNECTOR WITH STRAIN RELIEF COVER.

BLUE	102320-3
BLACK	102320-1
COLOR	PART NO

THIS DRAWING IS A CONTROLLED DOCUMENT.		DWN D.GELTZ 07/08/92	TE Connectivity	
DIMENSIONS: MM[INCHES]		CHK R.STONE 7-10-92		
TOLERANCES UNLESS OTHERWISE SPECIFIED:		APVD R.KILE 7-13-92	NAME LATCH, UNIVERSAL HEADER, AMP-LATCH	
0 PLC ± -	1 PLC ± -	PRODUCT SPEC	SIZE CAGE CODE DRAWING NO RESTRICTED TO	
2 PLC ± 0.13 [.005]	3 PLC ± -	APPLICATION SPEC	A2 00779 C-102320	
4 PLC ± -	ANGLES ± ± 1°	FINISH	WEIGHT -	
MATERIAL FLAME RETARDANT PBT, UL94V-0 RATED		FINISH	CUSTOMER DRAWING	
THIS DRAWING IS A CONTROLLED DOCUMENT FOR AMP INCORPORATED. IT IS SUBJECT TO CHANGE AND THE CONTROLLING ENGINEERING ORGANIZATION SHOULD BE CONTACTED FOR THE LATEST REVISION.		SCALE 10:1 SHEET 1 of 1 REV F1		

Mouser Electronics

Authorized Distributor

Click to View Pricing, Inventory, Delivery & Lifecycle Information:

[TE Connectivity:](#)

[102320-1](#)