

4

3

2

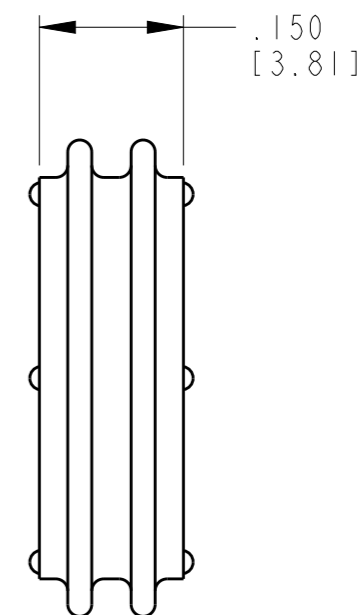
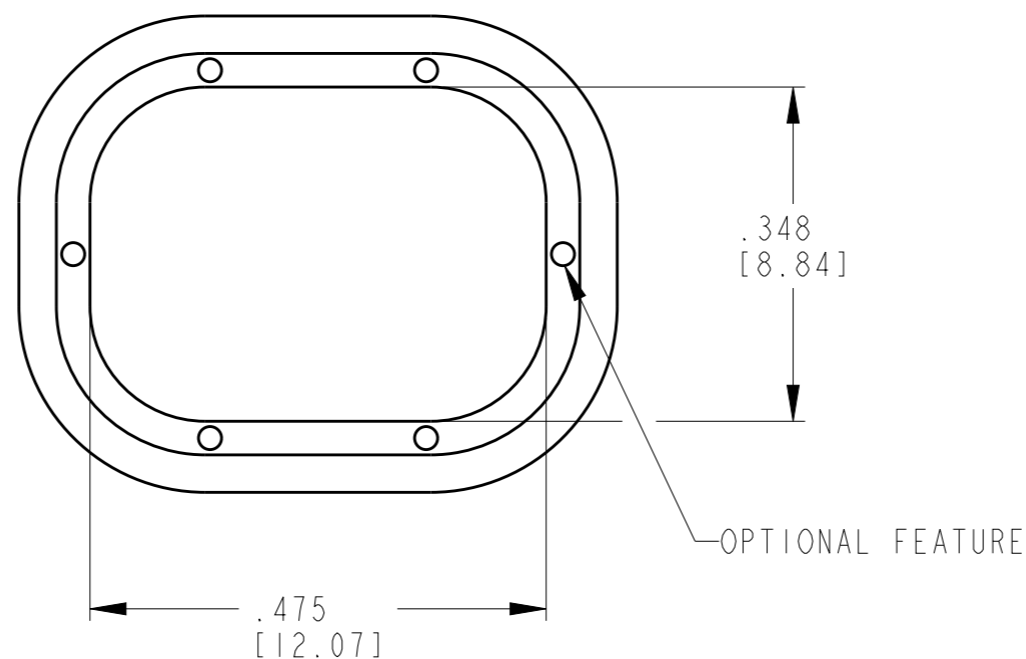
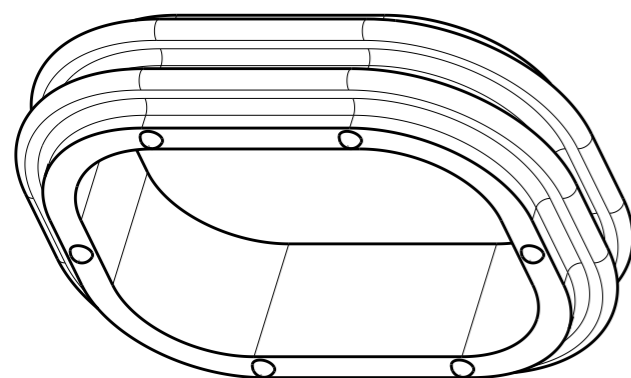
1

THIS DRAWING IS UNPUBLISHED. RELEASED FOR PUBLICATION 20

© COPYRIGHT 2016 BY - TE CONNECTIVITY ALL RIGHTS RESERVED.

REVISIONS


| P | LTR | DESCRIPTION | DATE | DWN | APVD |
|---|-----|---------------------------|-----------|-----|------|
| | B | REVISED PER ECO-16-013961 | 21MAR2016 | MGM | DM |
| | | | | | |
| | | | | | |



| | |
|----------------|---------------|
| TE INTERNAL PN | DEUTSCH PN |
| 1010-016-0406 | 1010-016-0406 |

⚠ MATERIAL: SILICONE (RED-ORANGE)

NOTES.

| | | | | | |
|--|--|-----------------------------|---|--------------------|-----------------------------|
| THIS DRAWING IS A CONTROLLED DOCUMENT. | | DWN V. TOMSA 01NOV1991 |  TE Connectivity | | |
| DIMENSIONS: INCHES [mm] | | CHK C. BUNKE 02JUN1992 | | | |
| TOLERANCES UNLESS OTHERWISE SPECIFIED: | | APVD J. ALBERS 04JUN1992 | NAME SEAL, FRONT, STANDARD TYPE 4 CONTACT PLUG DT SERIES | | |
| 0 PLC ± 1 PLC ± 2 PLC ± 3 PLC ±.025 [0.64] 4 PLC ± ANGLES ±° 30' 0" | | PRODUCT SPEC N/A | RESTRICTED TO | | |
| MATERIAL | | APPLICATION SPEC N/A | SIZE A3 | CAGE CODE 4AFU8 | DRAWING NO 1010-016-0406 |
| FINISH | | WEIGHT 0.22 g | SCALE 5:1 | SHEET 1 OF 1 | REV B |
| | | CUSTOMER DRAWING | | | |

Mouser Electronics

Authorized Distributor

Click to View Pricing, Inventory, Delivery & Lifecycle Information:

[TE Connectivity:](#)

[1010-016-0406](#)