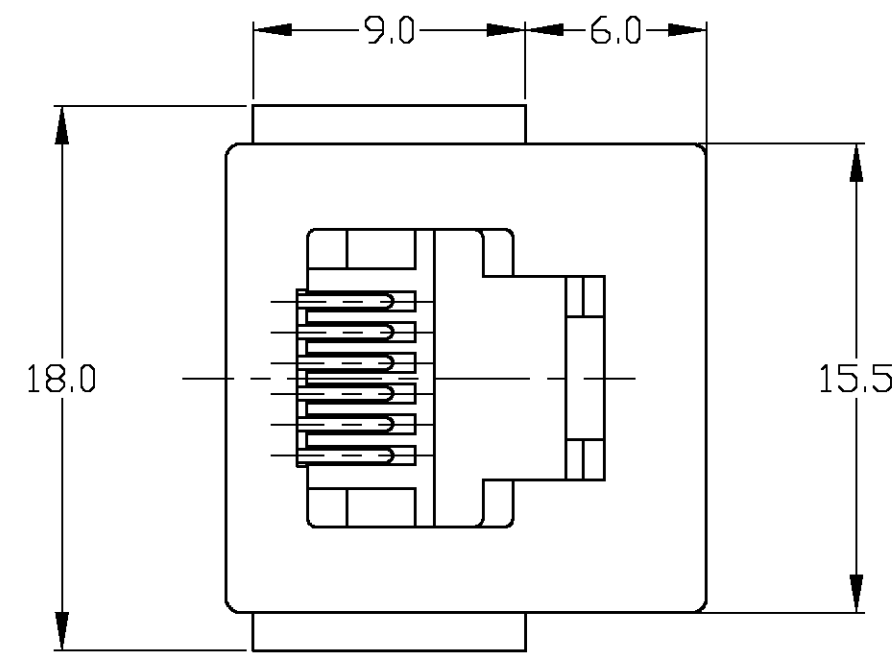


DO NOT SCALE  
DIMENSIONS IN mm

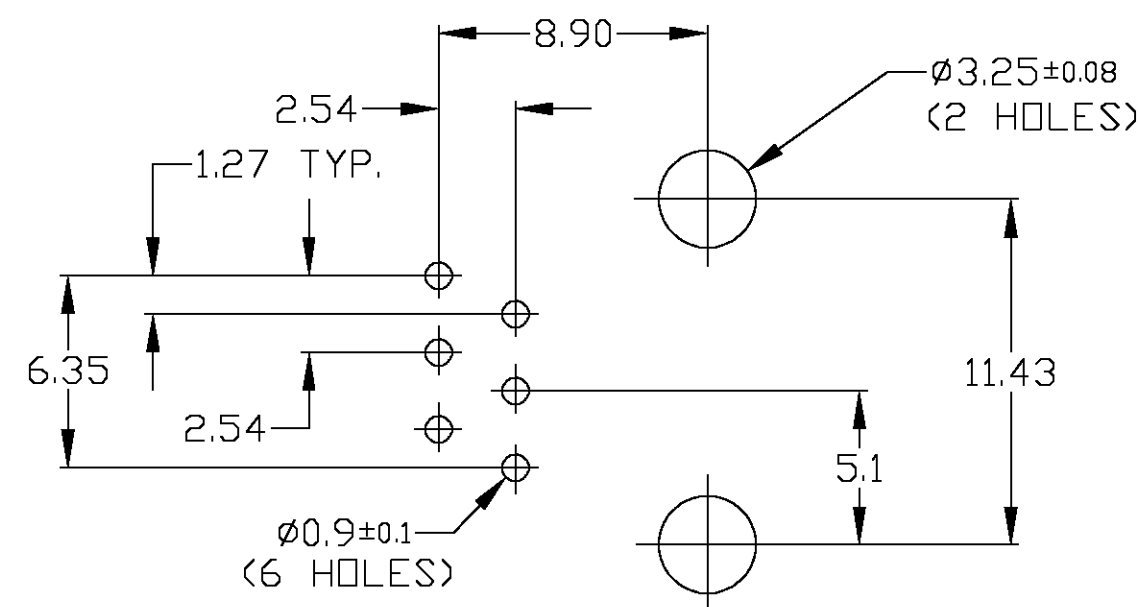
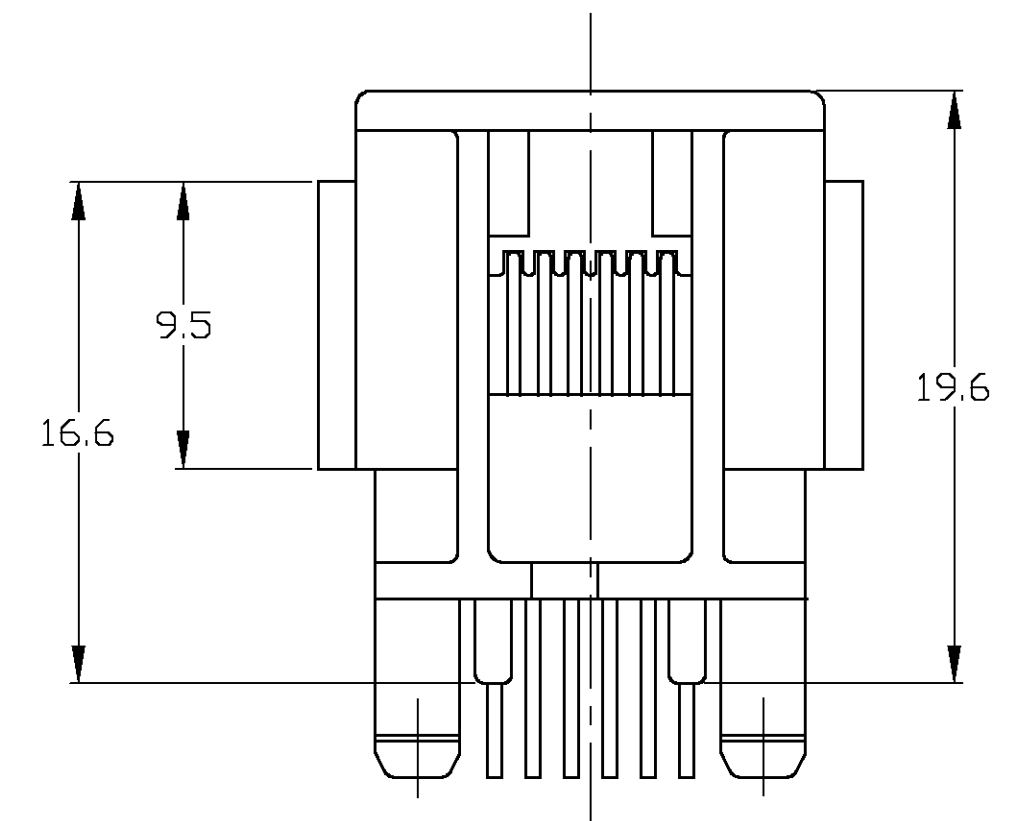
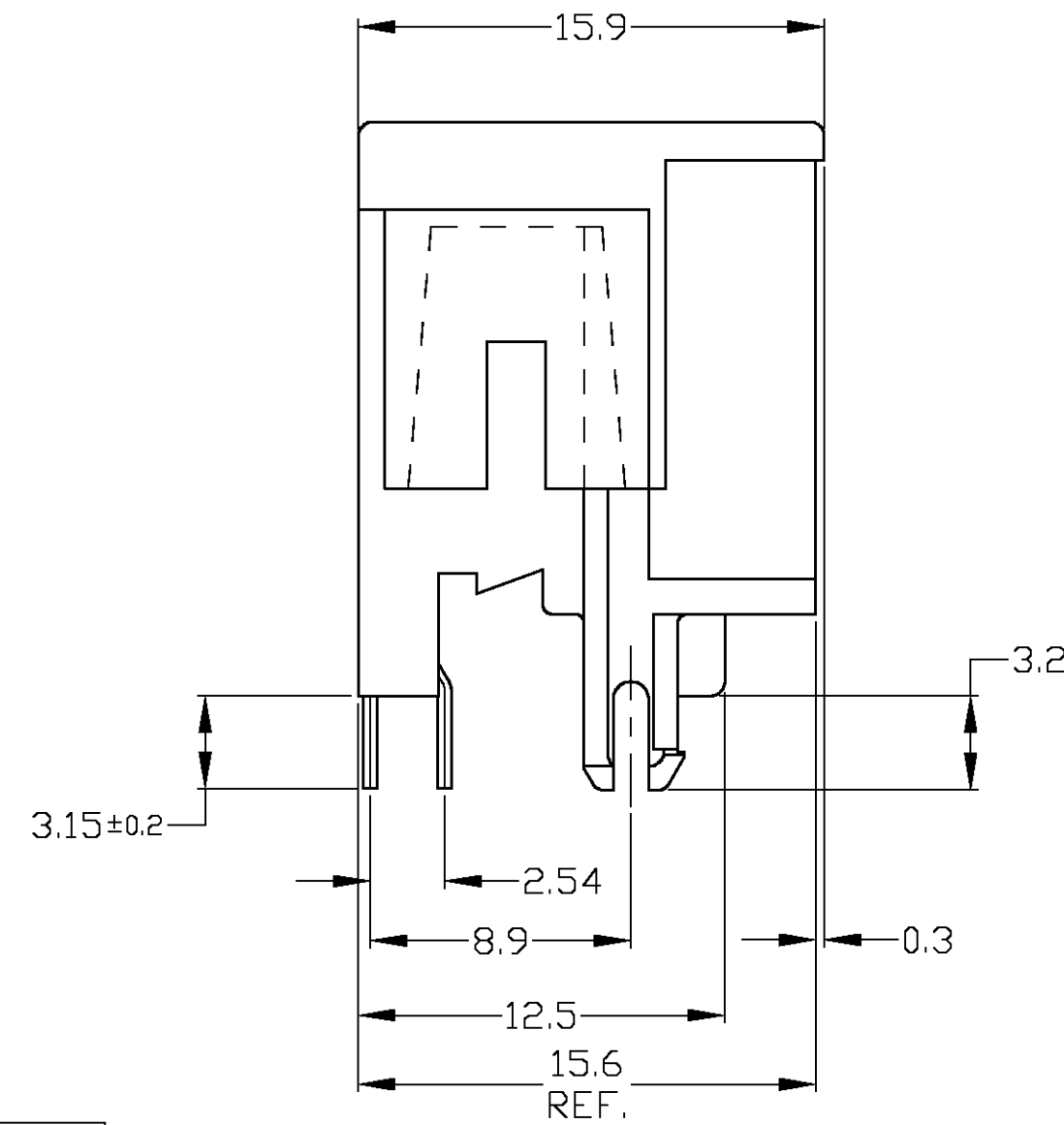
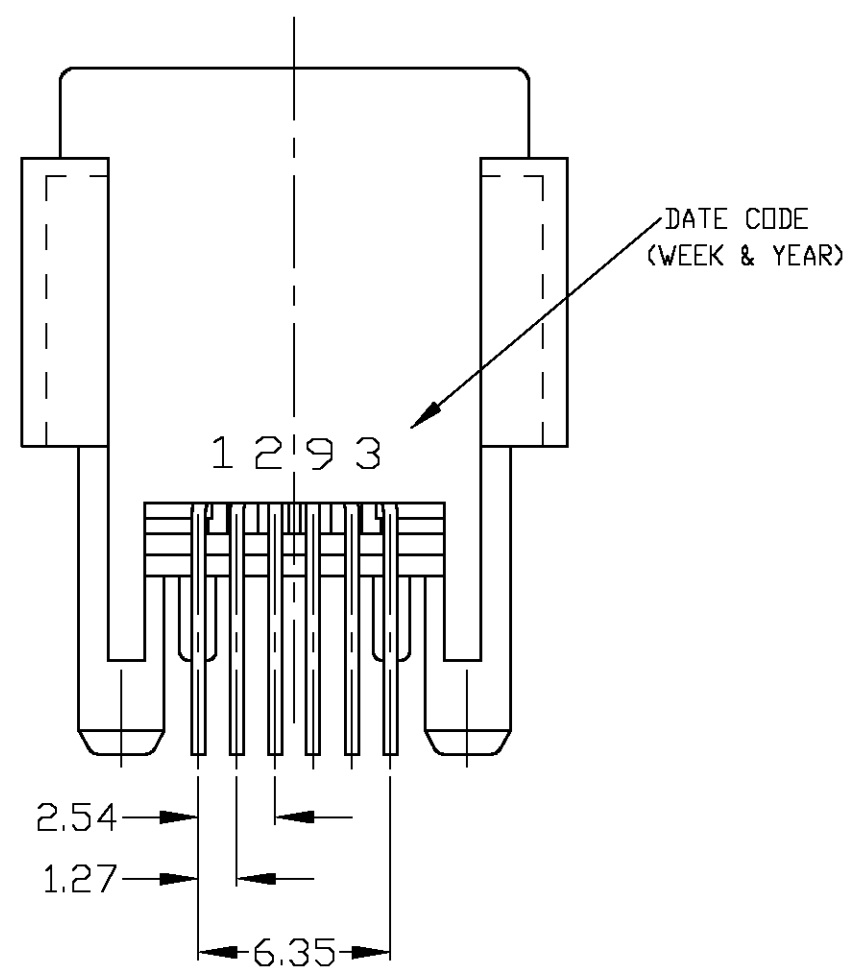
METRIC

THIRD ANGLE  
PROJECTION



NOTES:

- 1 TOLERANCES UNLESS OTHERWISE SPECIFIED:  $\pm 0,15$
- 2 FOR APPLICATION INFORMATION SEE AMP SPEC. 114-19019
- 3 FOR PERFORMANCE REQUIREMENTS SEE AMP SPEC. 108-19064
- 4 PACKAGING: BULK PACKAGED.  
TRUE POSITIONING OF THE SOLDER TINES  
MAY BE AFFECTED BY BULK PACKAGING.

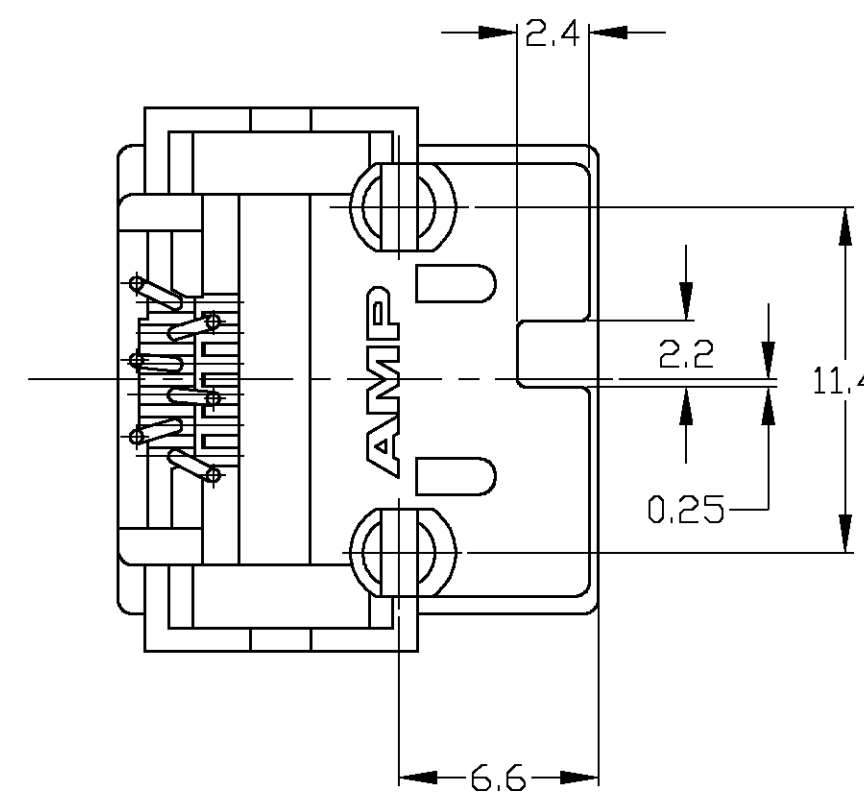


PRINTED CIRCUIT BOARD LAYOUT

[VIEW SHOWN IS CIRCUIT (NONCOMPONENT) SIDE OF BOARD.]

PRINTED CIRCUIT BOARD THICKNESS: 1,6 mm NOMINAL.

TOLERANCES UNLESS OTHERWISE SPECIFIED  $\pm 0,05$ .



6 POSITIONS / 6 CONTACTS		IN CONTACT AREA 1,2µm MIN SEL HARD GOLD OVER 1,2µm MIN NICKEL		HOUSING PBT, UL 94V-0 COLOR: BLACK		100190-2	
SOLDER TINES 2,0µm MIN TIN-LEAD OVER 1,2µm MIN NICKEL		CONTACTS PHOSPHOR BRONZE					
REMARKS	FINISH		MATERIAL		P/N		
F SR10-0084-02	KV	06 FEB 02	CUSTOMER DRAWING		FOR REFERENCE ONLY WILL NOT BE UPDATED		
E EH-1142-97	EvE	W.B. 19 NOV 97	© COPYRIGHT 19 BY AMP HOLLAND B.V.		ALL INTERNATIONAL RIGHTS RESERVED. AMP PRODUCTS MAY BE COVERED BY U.S. AND FOREIGN AND/OR PATENTS PENDING.		
D EH-0217-93	R.D.	04-11-93	THIS DRAWING IS UNPUBLISHED		RELEASED FOR PUBLICATION		
C H-9194	D.K.	09-03-92	<b>tyco</b> Electronics		Tyco Electronics Corporation Oostkamp - BELGIUM		
B H-9194	JvdH	16-10-91	NAME		MODULAR JACK, 6 POS., TOP ENTRY		
A H-9194	JvdH	09-10-91	HIGH PROFILE, WITH PANEL STOPS		FOR PRINTED CIRCUIT BOARD		
LTR.	REVISION RECORD	DR.	CHK.	DATE			
DR.: J.V.D.HEIJDEN	CHK.: C.STERKEN	APP.: L.V.SOEST	DWG.No.		REV.LTR.	SHEET	
DATE: 08-10-91	DATE:	DATE:	C-100190		F	1 OF 1	A2

# Mouser Electronics

Authorized Distributor

Click to View Pricing, Inventory, Delivery & Lifecycle Information:

[TE Connectivity:](#)

[100190-2](#)