

LL-10 Series – Relay Version



- A direct replacement for mechanical float type liquid level devices
- Proven ultrasonic technology
- Solid state integral electronics
- Designed for years of maintenance-free service

DESCRIPTION

The Solid State Float™ LL-10 series liquid level switch is a direct replacement for mechanical float type liquid level devices. It employs proven ultrasonic technology and solid state integral electronics. The Solid State Float™ provides reliable operation in virtually any liquid and eliminates failures due to finite mechanical life inherent in the mechanical float design. With fully epoxy sealed electronics, combined with ultrasonic sensing technology, Solid State Float™ is designed for years of maintenance-free service. Measurement Specialties, Inc. can also customize special versions of the LL-10 Series.

FEATURES

Standard Features

- High pressure up to 1000 PSIG (6895 Kpa)
- Output: Relay output, 1 amp SPDT (normally open)
- No moving parts, easy to install
- Input 5 to 30 VDC
- Digital filter techniques enhance performance

Optional Features

- Electropolishing
- Higher temperature up to 212 °F (100 °C)
- Relay output, 0.5 amp SPDT (high level failsafe)

APPLICATIONS

- Pump protection
- Storage tanks
- Compressors
- Medical and laboratory equipment
- Hydraulic supply lines
- Oil film detection
- Coolant reservoirs
- Boiler water cutoff
- Sewage systems
- Pipe lines
- Hydraulic and lube reservoirs
- Chillers

LL-10 Series – Relay Version

PERFORMANCE SPECIFICATIONS

Parameter	Typical Value
Repeatability	2 mm or better
Delay	0.5 seconds
Input Voltage	5 to 30 VDC
Input Power	100 mA max standard
Leakage Current	Less than 50 μ A
Output (standard)	Relay Output: 1 AMP SPDT NO or NC; 30 VDC max
Mounting	3/4" NPT STD (for flanges, consult factory)

Parameter	Typical Value
Protection	Transient, reverse polarity
Sensor Material	316L SS
Temperature	-20 to +176° F (-29 to 80 °C)
Operating Pressure	Up to 1000 PSIG (6895 Kpa)
Cable Length	12" (305 mm) (for longer lengths consult factory)

MECHANICAL DIMENSIONS in inches [mm]

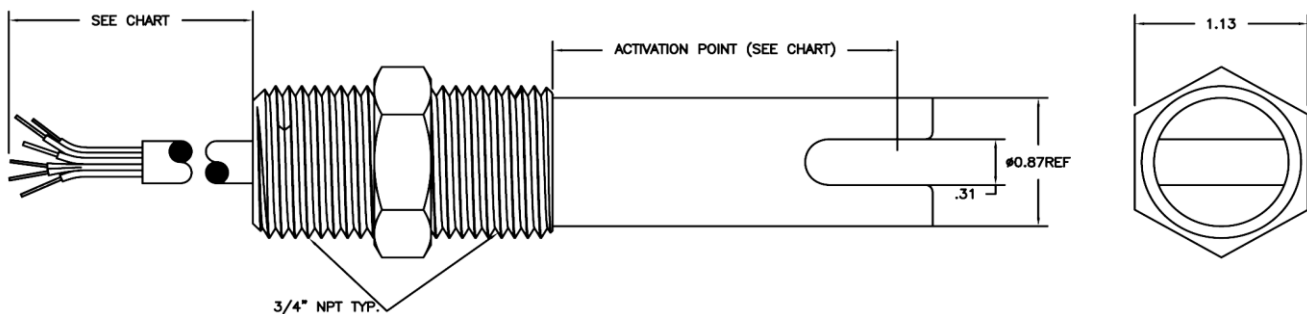


Figure 1: LL-10 series element

SCHEMATICS

Typical Wiring Diagram – Relay Output

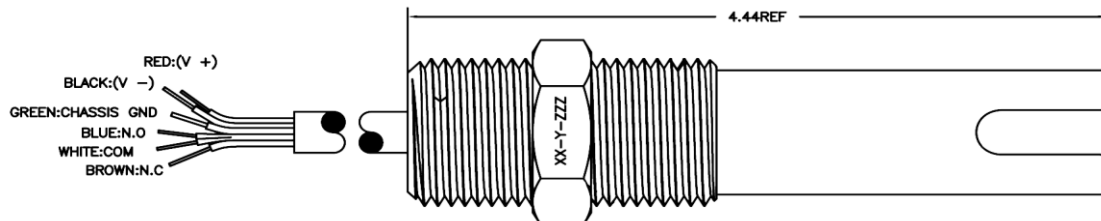
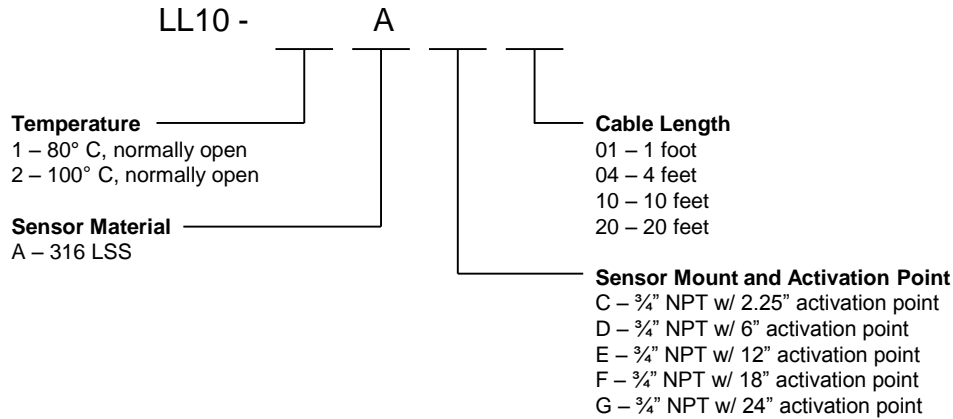


Figure 2: Typical wiring diagram for LL-10 series element

LL-10 Series – Relay Version

ORDERING INFORMATION



TECHNICAL CONTACT INFORMATION

North America

Measurement Specialties, Inc.
1000 Lucas Way
Hampton, VA 23666
Tel: 1-800-745-8008
Fax: 1-757-766-4297
Sales: piezo@meas-spec.com

Europe

MEAS Deutschland GmbH
Hauert 13
44227 Dortmund
Germany
Sales & Customer Service: +49 (0)231 9740 21
Technical Support: +44 (0)138 38700 01
Email: piezoeurope@meas-spec.com

Asia

Measurement Specialties (China) Ltd.
No. 26 Langshan Road,
High-Tech Park (North)
Nanshan District, Shenzhen 518057
Tel: +86 755 3330 5068
Email: sales.china@meas-spec.com

The information in this sheet has been carefully reviewed and is believed to be accurate; however, no responsibility is assumed for inaccuracies. Furthermore, this information does not convey to the purchaser of such devices any license under the patent rights to the manufacturer. Measurement Specialties, Inc. reserves the right to make changes without further notice to any product herein. Measurement Specialties, Inc. makes no warranty, representation or guarantee regarding the suitability of its product for any particular purpose, nor does Measurement Specialties, Inc. assume any liability arising out of the application or use of any product or circuit and specifically disclaims any and all liability, including without limitation consequential or incidental damages. Typical parameters can and do vary in different applications. All operating parameters must be validated for each customer application by customer's technical experts. Measurement Specialties, Inc. does not convey any license under its patent rights nor the rights of others.

Mouser Electronics

Authorized Distributor

Click to View Pricing, Inventory, Delivery & Lifecycle Information:

[TE Connectivity:](#)

[LL10-1AC01](#)