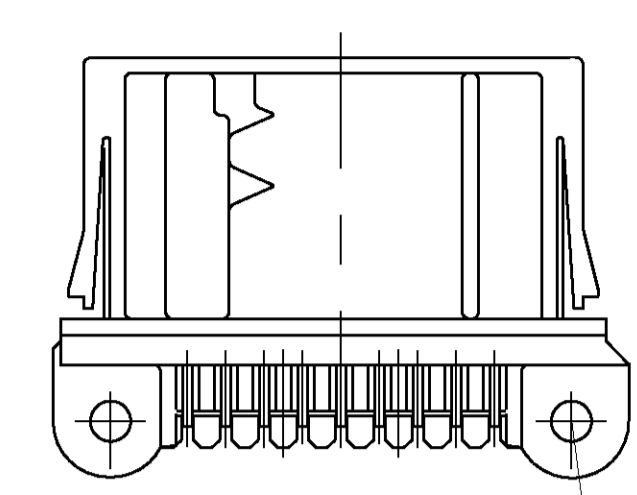
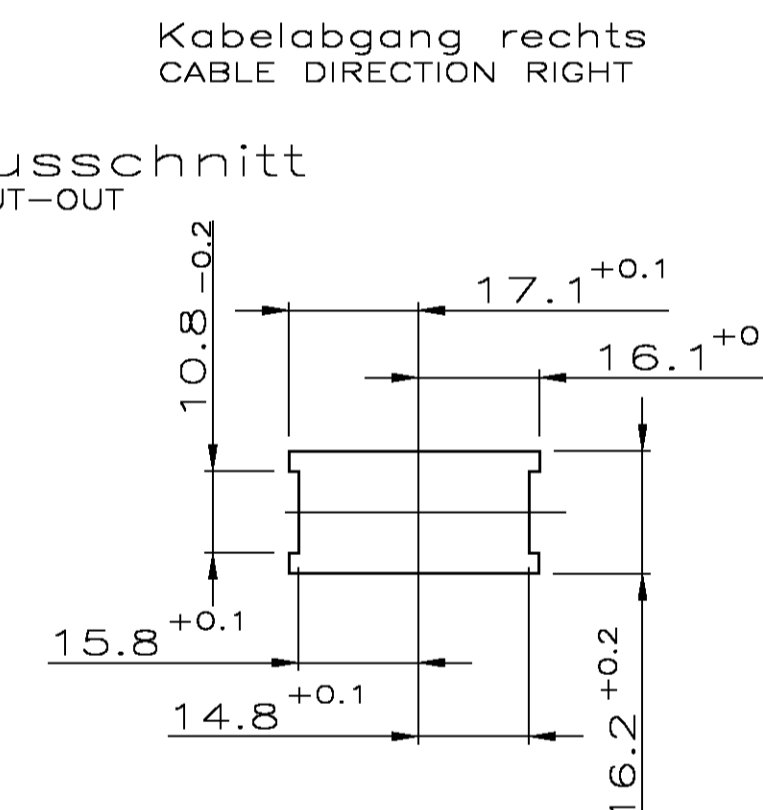
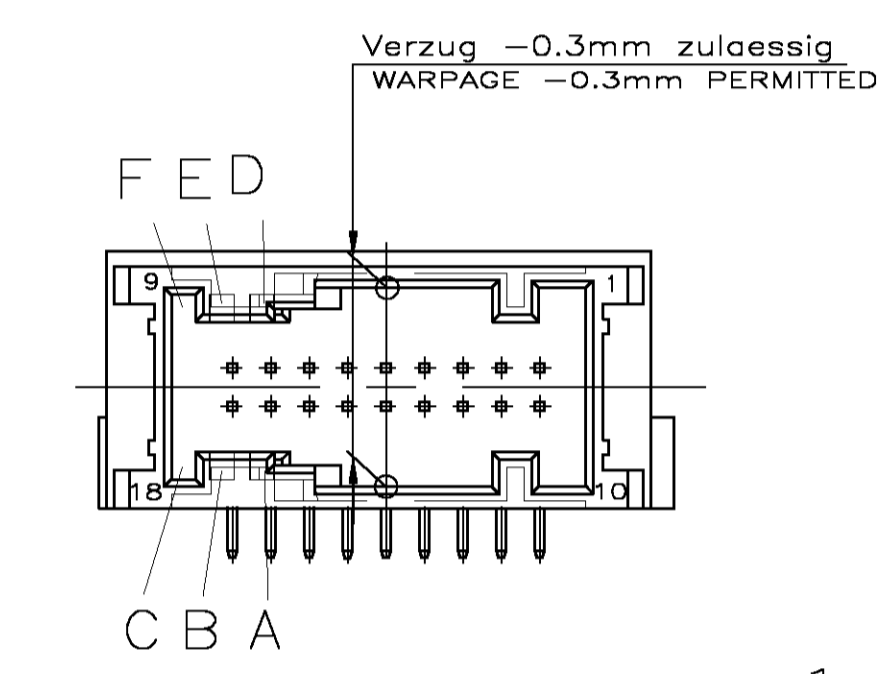
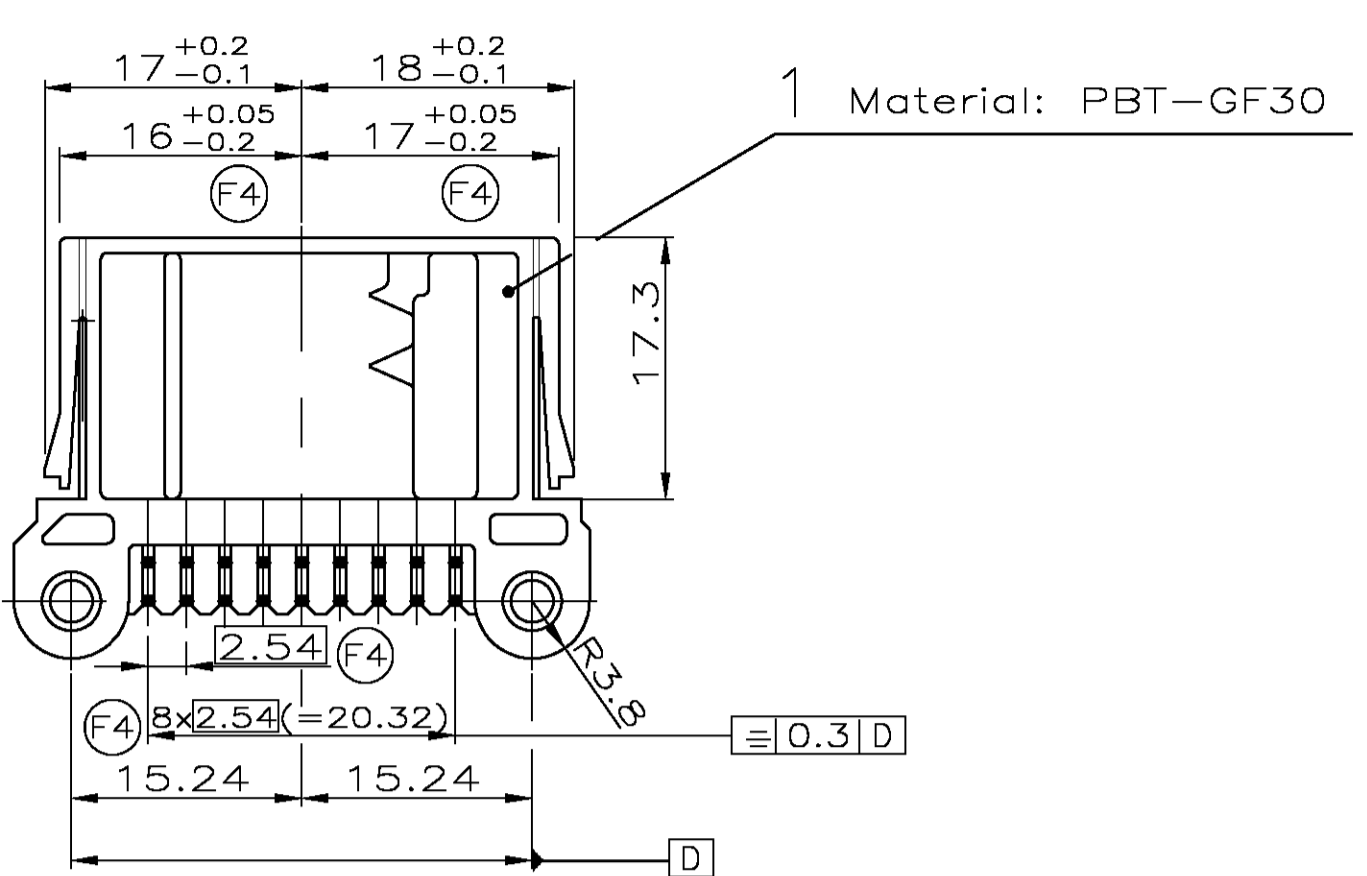
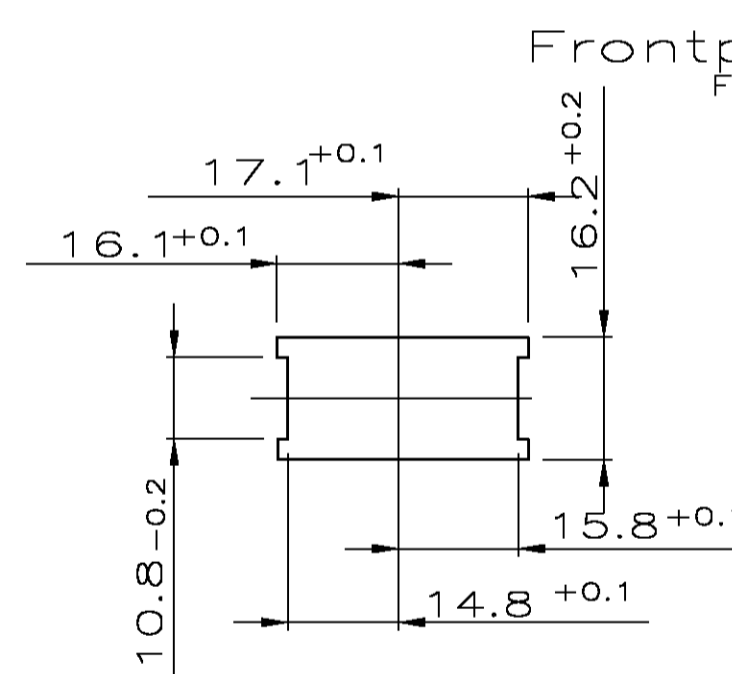
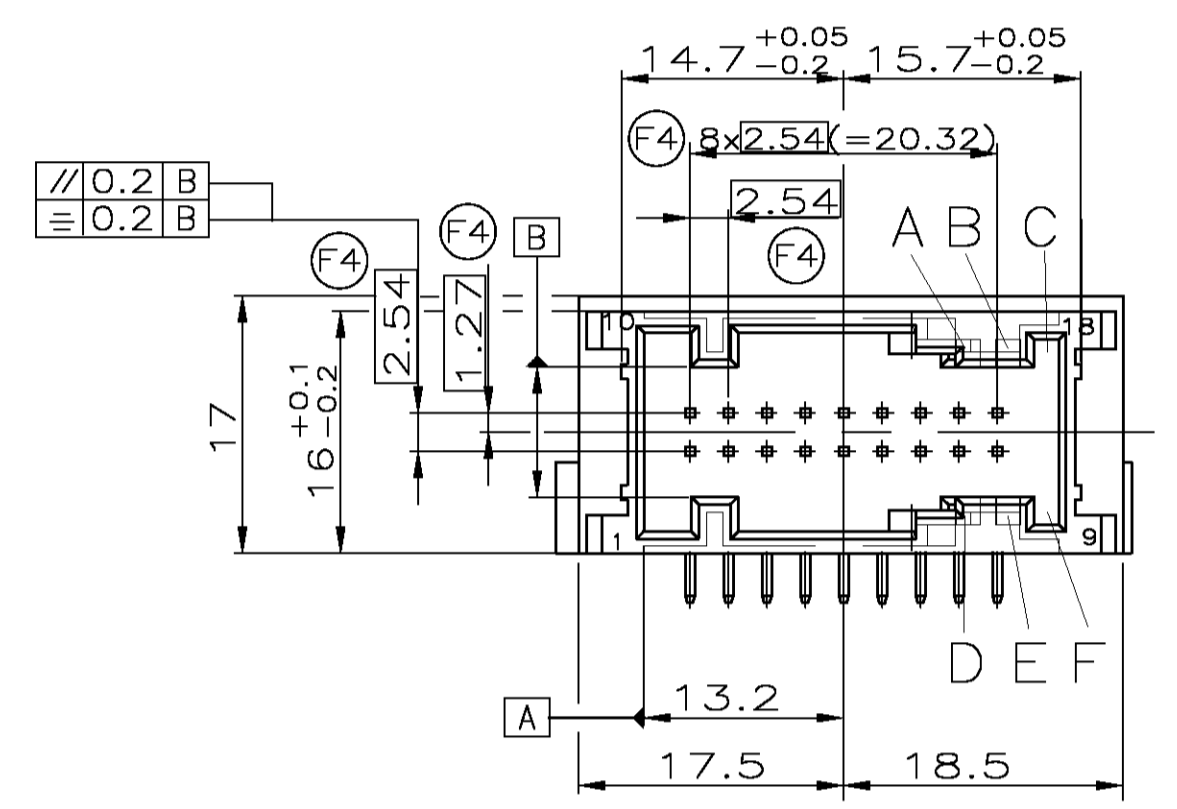
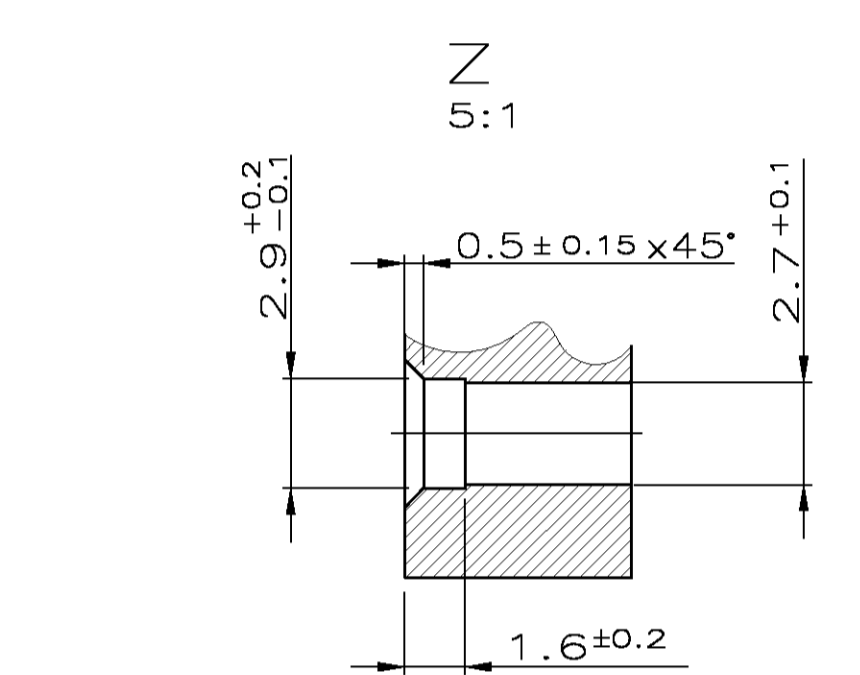
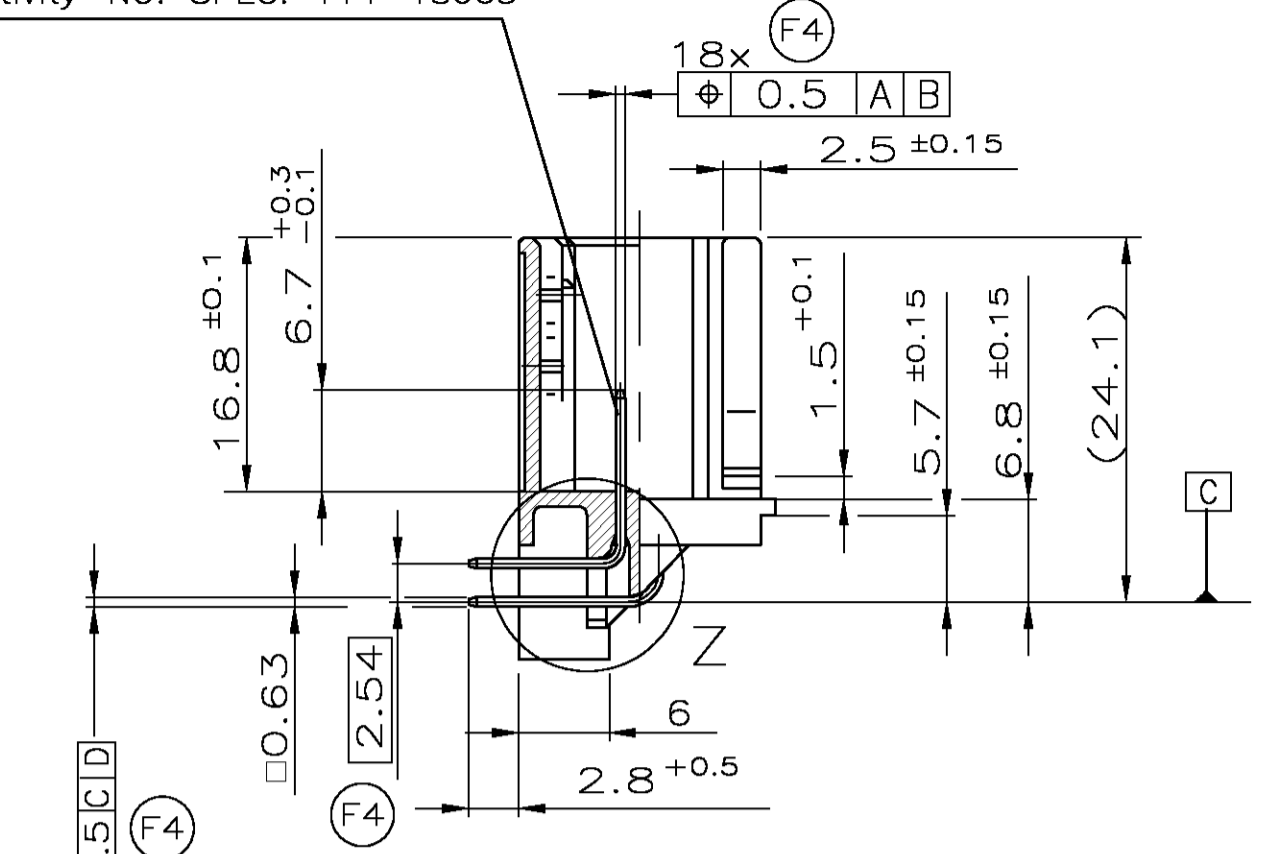
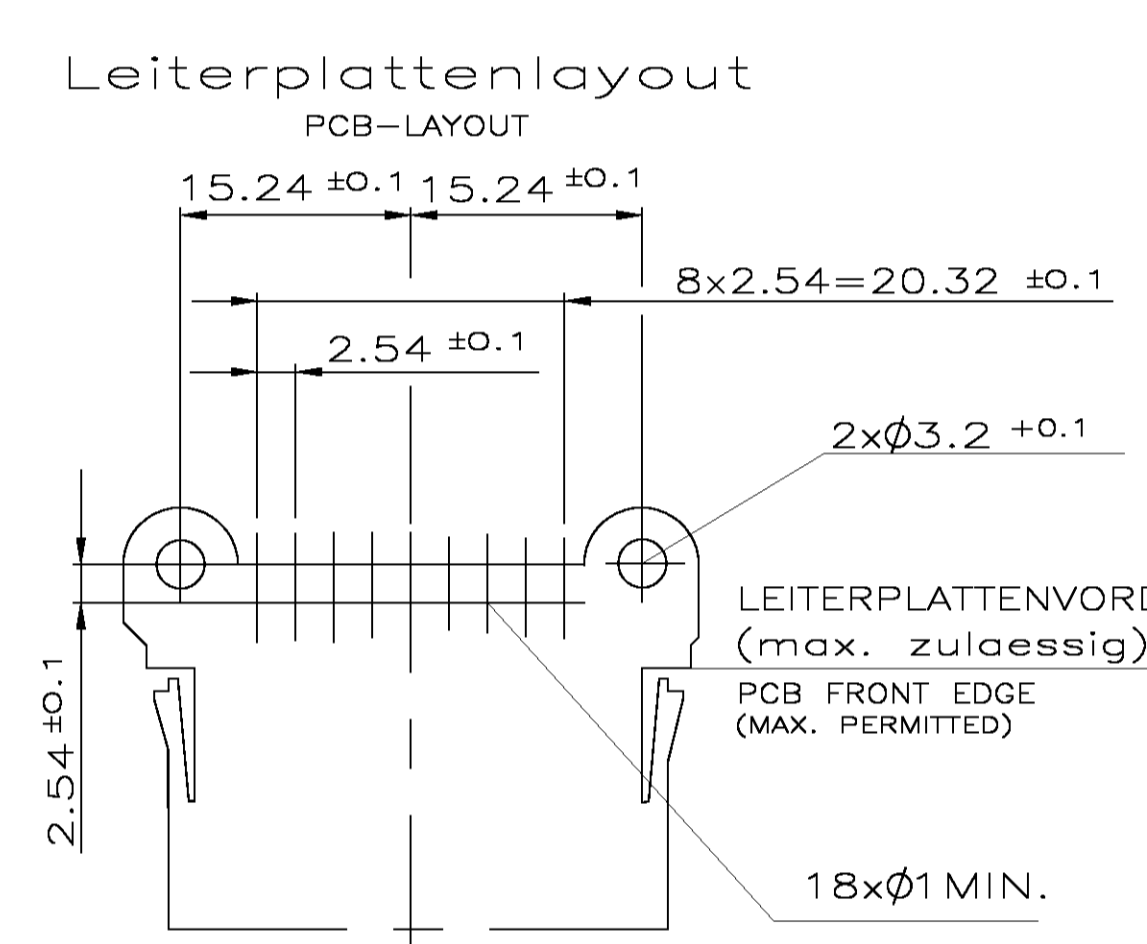


LOC	DIST	REV	DESCRIPTION	DATE	DWN	APVD
AI	-	F3	REVISED PER ECO-11-005150	21MAR11	RK	HMR
		F4	ECR-11-023925	24NOV11	Sche	TS

Material: CuFe 2
 Oberfläche TE connectivity-Nr. Spez. 114-18063
 SURFACE TE connectivity-NO. SPEC. 114-18063

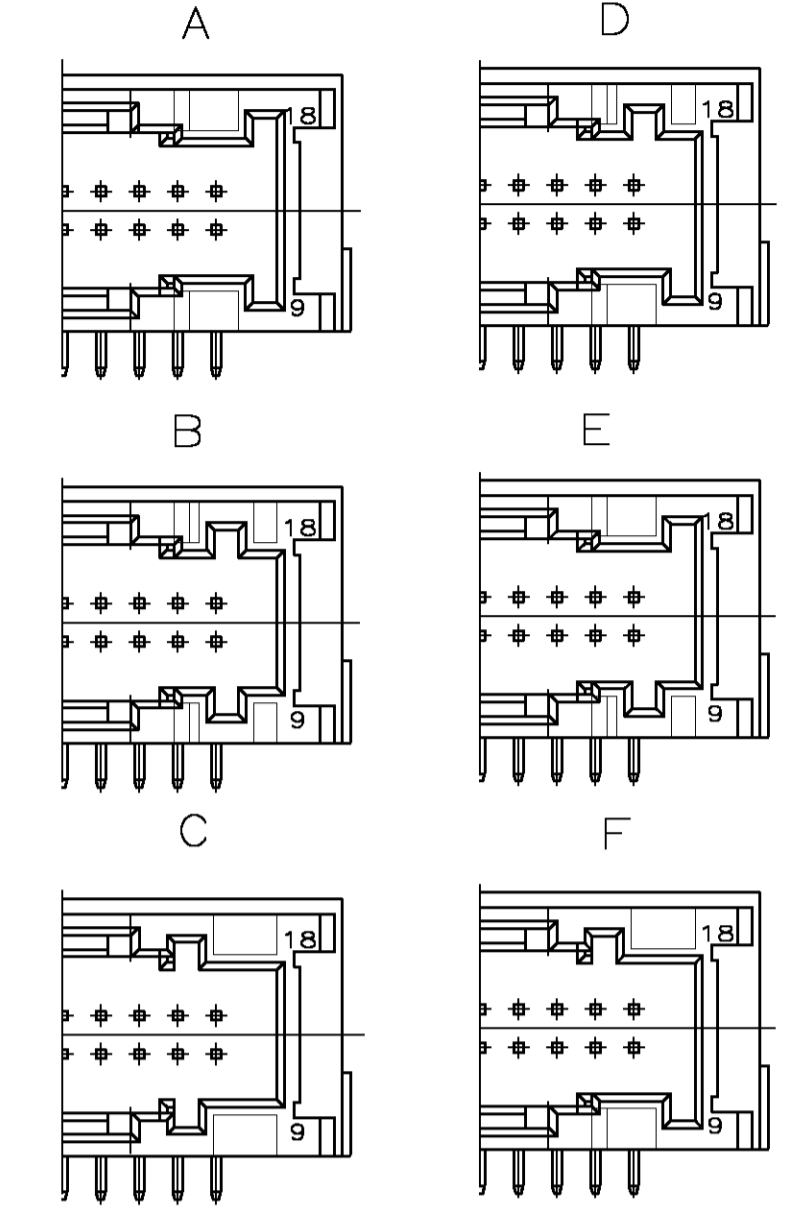


Befestigungsbohrung
 MOUNTING HOLE
 Fuer "AVDEL"-NIET 1110-4004 und 1110-4074
 FOR AVDEL-RIVET.....AND.....



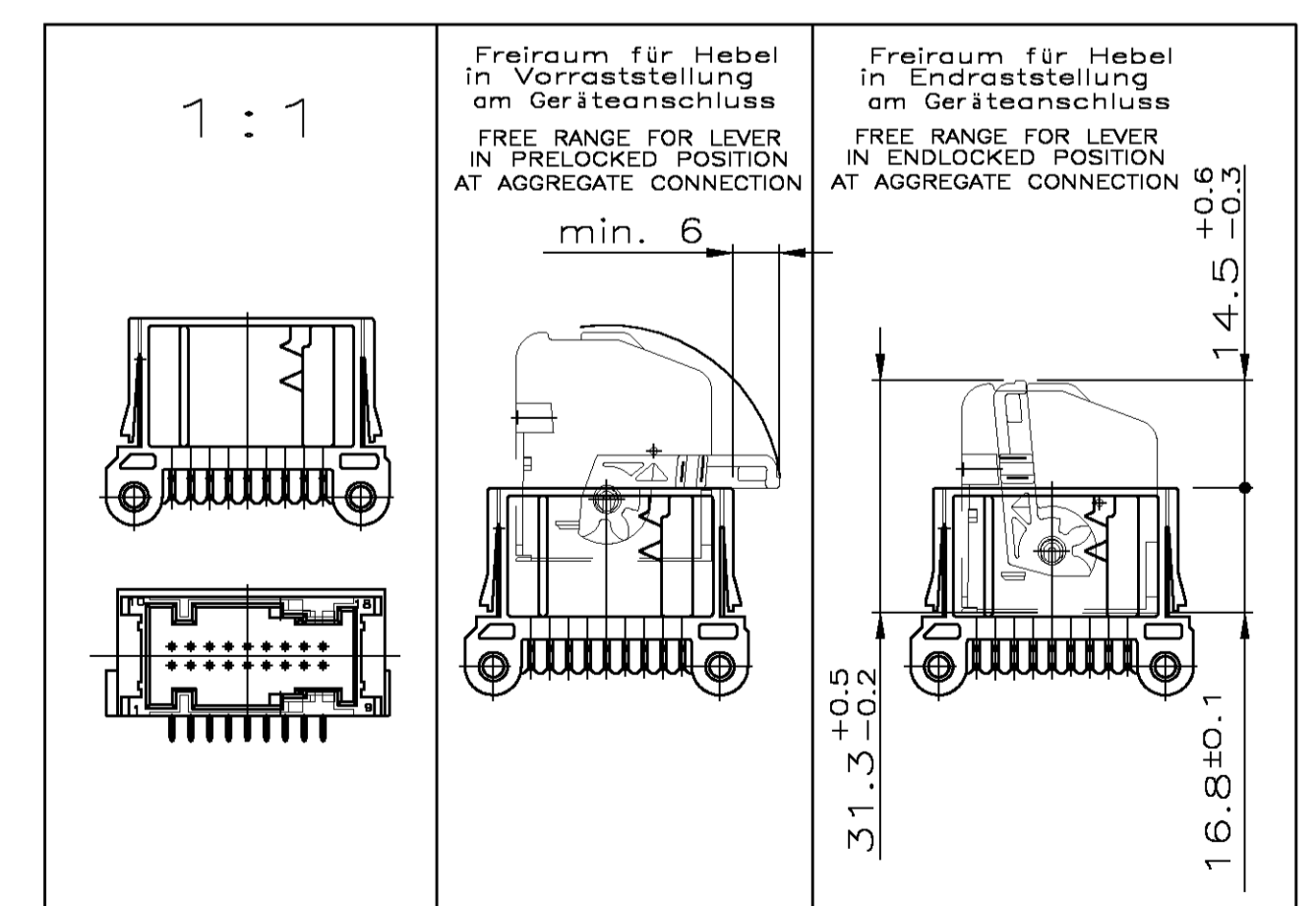
Frontplattenausschnitt
 FRONT PLATE CUT-OUT
 1:1

Kodierungen
 (nur Kabelabgang links dargestellt)
 CODING
 (CABLE DIRECTION LEFT SHOWN)



Bemerkungen
 NOTES

- Produkt darf nur mit Zustimmung von BMW geändert werden
 PRODUCT SHALL BE CHANGED WITH THE AGREEMENT OF BMW ONLY
- Produktspezifikation: 108-18214
 PRODUCTSPECIFICATION:
- 1-963539-1 gezeichnet
 AS SHOWN
- Nur der deutsche Text ist bindend
 ONLY THE GERMAN-LANGUAGE VERSION SHALL BE BINDING
- Ausdrueckkraft ≥ 25N
 Lotbarkeit gemäss DIN IEC 68 Teil 2-20, Alterung 3
 PRESS OUT FORCE >25N
 SOLDERABILITY ACCORDING TO DIN IEC 68 Teil 2-20, AGEING 3
- Oberfläche nach Spez.-Nr. 114-18063
 Steckseite: vergoldet / Loetseite: verzinkt
 SURFACE ACCORDING SPEC.-NO. 114-18063
 SOLDER SIDE: TIN / MATING SIDE: GOLD
- Verpackungsversion von TE CONNECTIVITY-Nr. 1-963539-2
 in ESD-Tray
 PACKAGING VERSION FROM TE CONNECTIVITY-NO. 1-963539-2 IN ESD-TRAY



ART GRAMM	KIND	GRAMM	GEWICHT	PASSEND ZU:	ABDECKKAPPE	SHIELD	DAZU GEGEHRT:	BUCHSENGEHÄUSE	SOCKET HOUSING	DAZU GEGEHRT:	DECKEL	COVER
TE CONNECTIVITY	TE CONNECTIVITY	TE CONNECTIVITY	TE CONNECTIVITY	TE CONNECTIVITY	TE CONNECTIVITY	TE CONNECTIVITY	TE CONNECTIVITY	TE CONNECTIVITY	TE CONNECTIVITY	TE CONNECTIVITY	TE CONNECTIVITY	TE CONNECTIVITY
-	-	FCA-F	-	-	Zinn/TIN	-	-	-	-	-	-	-
-	-	EC-E	-	-	Zinn/TIN	-	-	-	-	-	-	-
-	-	DB-F	-	-	Zinn/TIN	-	-	-	-	-	-	-
-	-	CA-D	-	-	Zinn/TIN	-	-	-	-	-	-	-
1-963539-3	A	AC-F	-	-	Zinn/TIN	-	-	-	-	-	-	-
1-963539-5	A	AC-F	2	18	Stiftkontakt/PIN CONTACT	GOLD/GOLD, Zinn/TIN	7.1	1-963263-1	962108-2	929650-2	1-963068-2	1-963616-1
1-963539-2	F	AC-F	2	18	Stiftkontakt/PIN CONTACT	Zinn/TIN	7.1	1-963263-1	962108-2	929650-2	1-963068-2	1-963616-1
-	-	BE-E	-	-	Zinn/TIN	-	-	-	-	-	-	-
-	-	AC-F	-	-	Zinn/TIN	-	-	-	-	-	-	-
-	-	CA-D	-	-	Zinn/TIN	-	-	-	-	-	-	-
-	-	DB-F	-	-	Zinn/TIN	-	-	-	-	-	-	-
-	-	BE-E	-	-	Zinn/TIN	-	-	-	-	-	-	-
1-963539-1	F	AC-F	2	18	Stiftkontakt/PIN CONTACT	Zinn/TIN	7.1	1-963263-1	962108-2	929650-2	1-963068-2	1-963616-1
1-963539-1	F	AC-F	1	1	Stiftwanne/PIN HEADER	schwarz/BLACK	7.1	1-963263-1	962108-2	929650-2	1-963068-2	1-963616-1

THIS DRAWING IS A CONTROLLED DOCUMENT. DIESE ZEICHNUNG IST EIN KONTROLLIERTES DOKUMENT.		DWN C.Beiu 060CT1994	TE Connectivity	
DIMENSIONS: HASSENHEITEN: mm		CHK J.Hahn 060CT1994	NAME	
TOLERANCES UNLESS OTHERWISE SPECIFIED: ALL DIMENSIONS UNLESS OTHERWISE SPECIFIED: ANGLES / WINKEL: ° ± 0.2		APVD	PRODUCT SPEC: MOS, PIN HEADER, 18 POS, 90DEG., ASSY	
0. PLC ± 0.1 1. PLC ± 0.1 2. PLC ± 0.1 3. PLC ± 0.1 4. PLC ± 0.1		PROJ. NO. 108-18214	MOS, Stiftwanne, 18-pol., 90Grad, Assy	
MATERIAL		SIZE A1	CODE 00779	DRAWING NO. 963539
BESTELL-NR. ORDER NO.		WEIGHT G	SCALE 2:1	RESTRICTED TO REV. F4
REV. KOD. POS. STK. BENENNUNG DESCRIPTION		CUSTOMER DRAWING / KUNDENZEICHNUNG		

Mouser Electronics

Authorized Distributor

Click to View Pricing, Inventory, Delivery & Lifecycle Information:

[TE Connectivity:](#)

[1-963539-2](#)