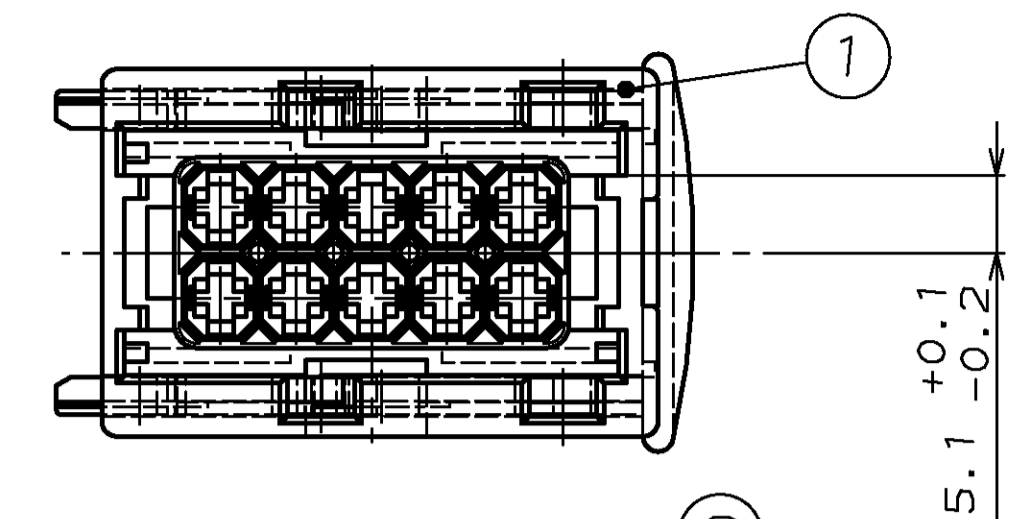
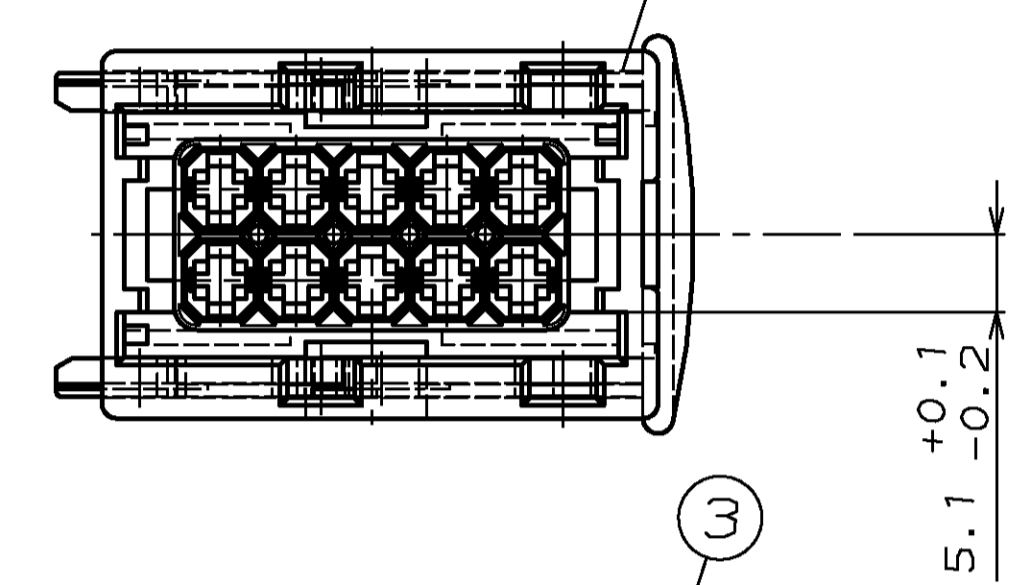


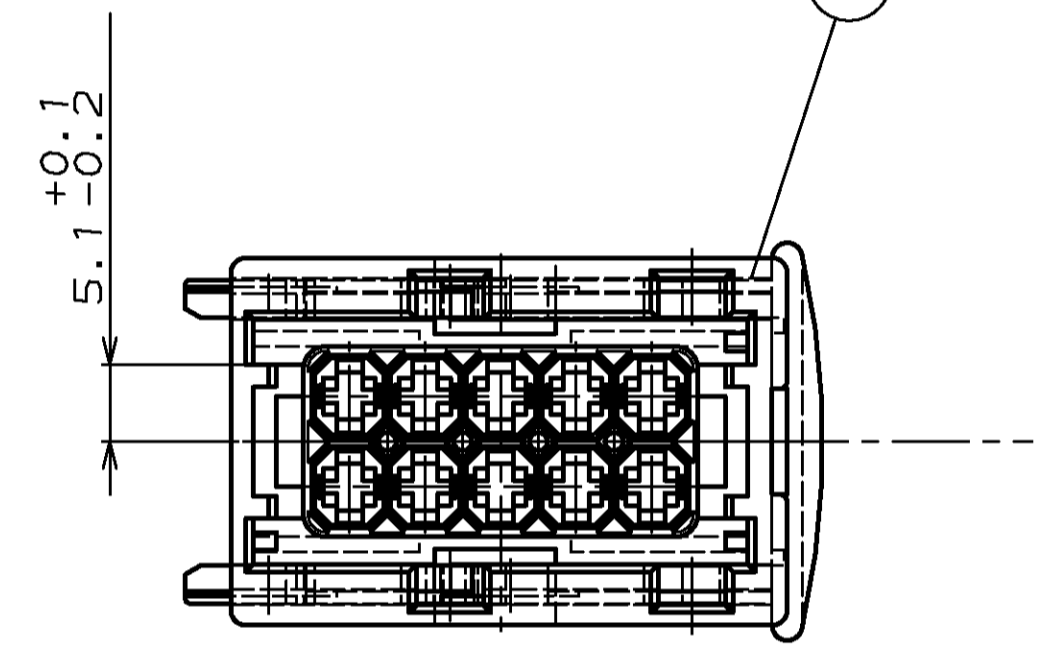
CODING A1



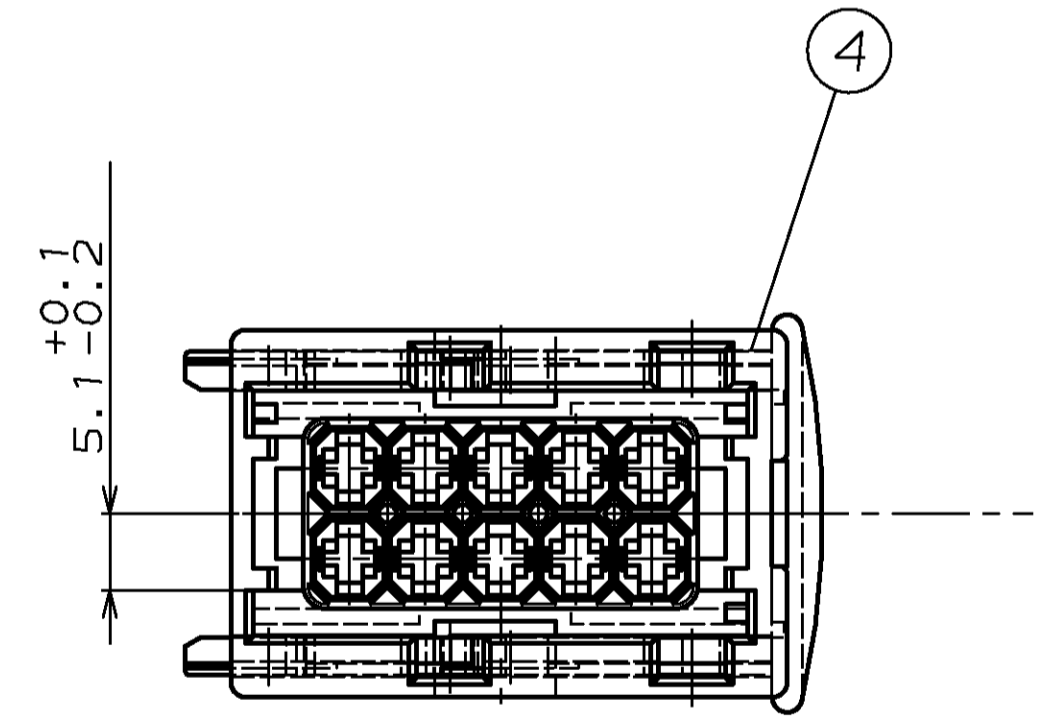
CODING B1



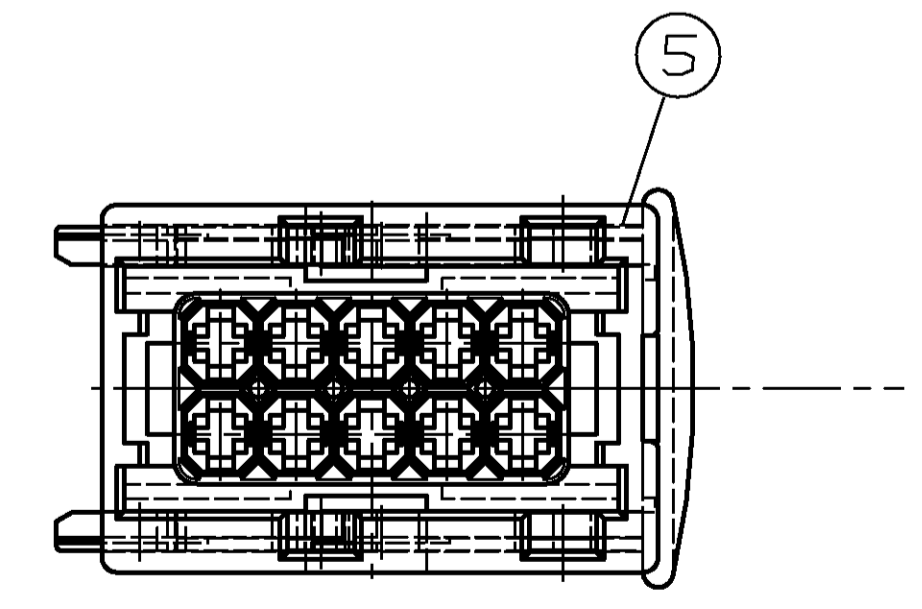
CODING C1



CODING D1



CODING N



SAAB PART NO	AMP PART NO	REV.	PCS.	MATERIAL	SURFACE COLOR	DESCRIPTION	ITEM NO
4114005	5-963214-1	D	1	PBT-GF30	RED	SLIDE	6
	CODING N		1	PBT/ASA-GF30	WHITE	JPT HOUSING, 10POS.	5
4114047	4-963214-1	D	1	PBT-GF30	RED	SLIDE	6
	CODING D1		1	PBT/ASA-GF30	BROWN	JPT HOUSING, 10POS.	4
4114039	3-963214-1	D	1	PBT-GF30	RED	SLIDE	6
	CODING C1		1	PBT/ASA-GF30	BLUE	JPT HOUSING, 10POS.	3
4114021	2-963214-1	D	1	PBT-GF30	RED	SLIDE	6
	CODING B1		1	PBT/ASA-GF30	GREY	JPT HOUSING, 10POS.	2
4114013	1-963214-1	D	1	PBT-GF30	RED	SLIDE	6
	CODING A1		1	PBT/ASA-GF30	BLACK	JPT HOUSING, 10POS.	1

THIS DRAWING IS UNCLASSIFIED AND IS RELEASED FOR PUBLICATION. IT IS SUBJECT TO CHANGE AND THE CONTROLLING ENGINEERING DEPARTMENT SHALL BE ADVISED FOR THE LATEST REVISION. DIMENSIONS UNLESS OTHERWISE SPECIFIED ARE IN MILLIMETERS. DIMENSIONEN UNLESS OTHERWISE SPECIFIED ARE IN MILLIMETERN.

DATE: 28.03.93
 S. Garcia
 W. Stabroth

AMP tyco Electronics AMP GmbH
 D - 64625 Bensheim

JPT HOUSING, 10POS.
 JPT Gehäuse, 10polig

108-18102
 114-18175

SIZE: A1
 CAGE CODE: 00779
 DRAWING NO: 963214
 ZEICHNUNGS-NR.: 963214

RESTRICTED TO MR. FUER

CUSTOMER DRAWING /KUNDENZEICHNUNG

DATE: 28.03.93
 2:1

Mouser Electronics

Authorized Distributor

Click to View Pricing, Inventory, Delivery & Lifecycle Information:

[TE Connectivity:](#)

[1-963214-1](#)