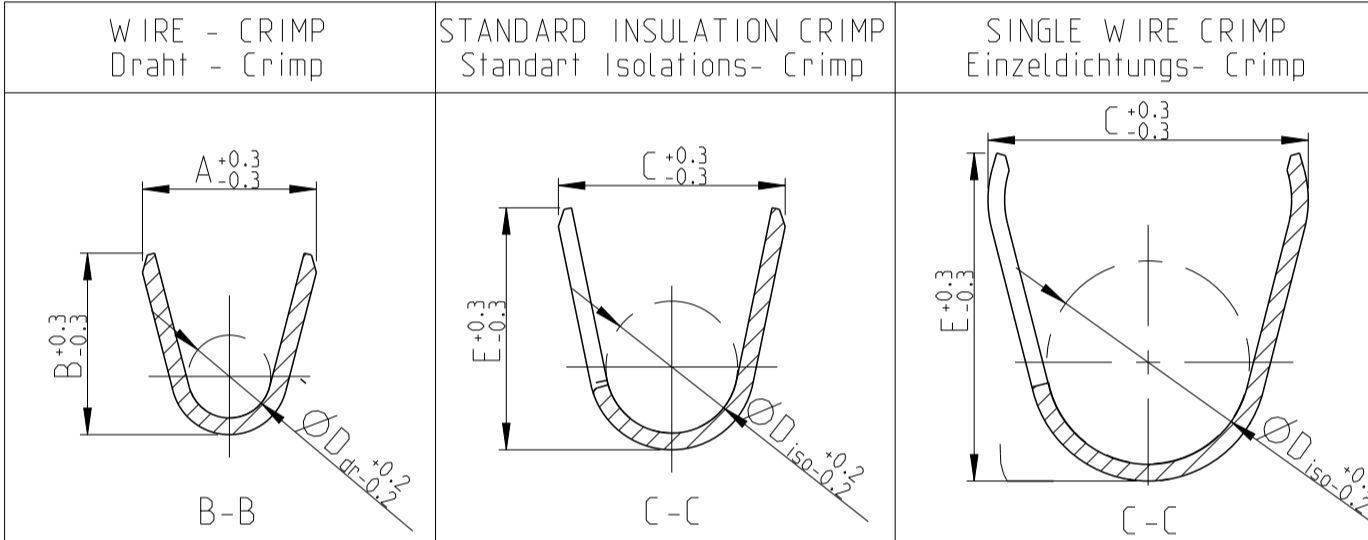
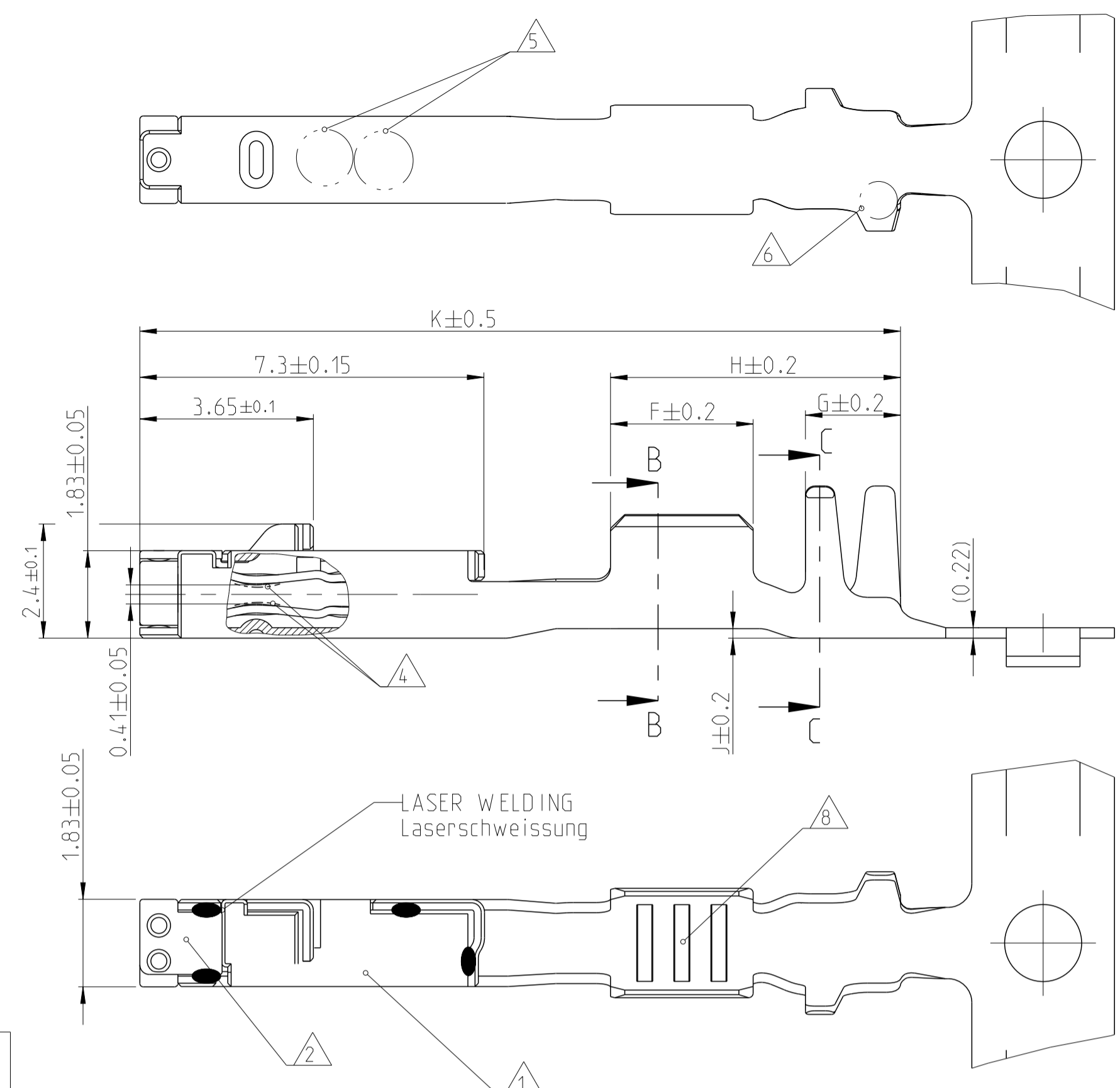
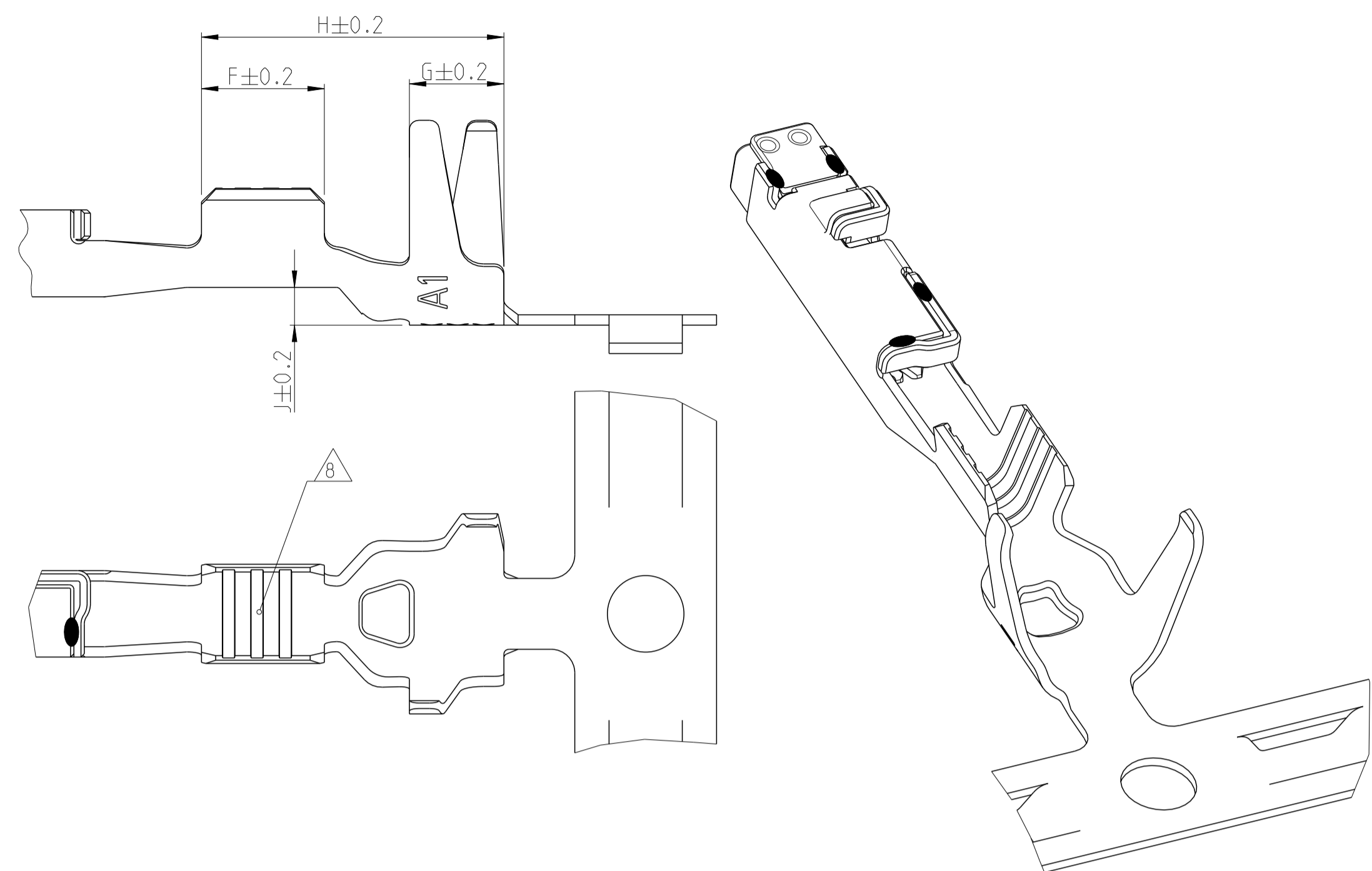


LOC	DIST	REVISIONS					
		P	LTN	DESCRIPTION	DATE	DWN	APVD
A1	-	G2		PN 1394897 AND 1418847 OBSOLETE	15NOV2012	S.R.	C.G.
		G3		ECR-14-008680 CANCELED	12JUN2014	Abr	Raab
		G4		Loose Piece Parts removed from Table. ECR-14-012725	25AUG2014	Abr	Raab
		G5		Tolerance from dim. J changed (drawing failure)	02FEB2015	Ho.	Raab



VERSION / Ausführung	Rev.	BODY Kontakt-koerper	SPRING Kontakt-feder	BODY Kontakt-koerper	SPRING Kontakt-feder	RANGE Bereich	AWG	mm 2	INSULATION Isolations-φ	WIRE-SIZE RANGE ISOLATIONS DIAMETER					WIRE CRIMP Drahtcrimp	ISOLATION CRIMP Isolationscrimp	LOOSE PIECE / Einzelausführung	F	G	H	J	K	TE NO.	MASTER APPLICATION-TOOL Basis Crimp-Werkzeug	DIE-PN FOR BASIC-HAND TOOL 539635-1 ERGO-CRIMP Matrizen PN fuer Basisbandzange 539635-1 ERGO-Crimp
										A	(B)	D <sub>Dr</sub>	C	E											
SINGLE WIRE SEAL / Einzeldichtung	1418841-3	-	CuSn0.15	CuNi3Si	TIN PLATED verzinkt	SILVER PLATED versilbert	0.14	26	0.14	1.05	1.55	1.55	0.65	4.25	4.3	2.6	2.6	2	6.4	0.8	16	967067-2	963142-2	1528151	4-1579001-8
	1418841-2	-	CuSn0.15	CuNi3Si	TIN PLATED verzinkt	GOLD PLATED vergoldet	0.22	-	0.22	1.2	1.55	1.55	0.65	4.25	4.3	2.6	2.6	2	6.4	0.8	16	967067-2	963142-2	1528152	3-1579001-9
	1418841-1	-	CuSn0.15	CuNi3Si	TIN PLATED verzinkt	TIN PLATED verzinkt	0.25-0.35	24	-	1.1	1.85	1.85	0.8	4.25	4.3	2.6	2.6	2	6.4	0.8	16	967067-1	963142-1	1528674	5-1579021-7
	1418844-3	C	CuSn0.15	CuNi3Si	TIN PLATED verzinkt	SILVER PLATED versilbert	0.5	20	0.5	1.4	2.1	2.1	1.1	4.25	4.3	2.7	2.6	2	6.4	0.8	16	967067-1	963142-1	1528674	5-1579021-7
	1418844-2	C	CuSn0.15	CuNi3Si	TIN PLATED verzinkt	GOLD PLATED vergoldet	0.75	-	0.75	1.9	2.1	2.1	1.1	4.25	4.3	2.7	2.6	2	6.4	0.8	16	967067-1	963142-1	1528674	5-1579021-7
	1418844-1	C	CuSn0.15	CuNi3Si	TIN PLATED verzinkt	TIN PLATED verzinkt	1.0-1.5	16	-	1.5	2.6	2.95	1.3	4.45	4.3	2.9	2.6	2	6.4	0.8	16.5	967067-1	967067-1	1528154	3-1579001-7
	1670146-3	A	CuSn0.15	CuNi3Si	TIN PLATED verzinkt	SILVER PLATED versilbert	0.14	26	0.14	1.05	1.55	1.55	0.65	2.1	2.1	1.1	2.6	2	5.7	0	15	-	-	1528146	3-1579001-6
	1670146-2	A	CuSn0.15	CuNi3Si	TIN PLATED verzinkt	GOLD PLATED vergoldet	0.22	-	0.22	1.2	1.55	1.55	0.65	2.1	2.1	1.1	2.6	2	5.7	0.2	15	-	-	1528147	0-1579001-6
	1670146-1	A	CuSn0.15	CuNi3Si	TIN PLATED verzinkt	TIN PLATED verzinkt	0.25-0.35	22	-	1.75	1.85	1.85	0.8	2.65	2.65	1.4	2.6	2	5.7	0.2	15	-	-	1528147	0-1579001-6
	1418850-3	B	CuSn0.15	CuNi3Si	TIN PLATED verzinkt	SILVER PLATED versilbert	0.5	20	0.5	1.4	2.1	2.1	1.1	2.8	2.9	1.6	3	2	6.1	0.2	16	-	-	1528673	5-1579021-6
	1418850-2	B	CuSn0.15	CuNi3Si	TIN PLATED verzinkt	GOLD PLATED vergoldet	0.75	-	0.75	1.9	2.1	2.1	1.1	2.8	2.9	1.6	3	2	6.1	0.2	16	-	-	1528673	5-1579021-6
	1418850-1	B	CuSn0.15	CuNi3Si	TIN PLATED verzinkt	TIN PLATED verzinkt	1.0-1.5	16	-	1.5	2.6	2.95	1.3	3.75	3.95	2.1	3	2	6.1	0.2	16	-	-	1528150	1-1579001-3
	STANDARD CRIMP	1452500-3	-	CuSn0.15	CuNi3Si	TIN PLATED verzinkt	SILVER PLATED versilbert	0.14	26	0.14	1.05	1.55	1.55	0.65	2.1	2.1	1.1	2.6	2	5.7	0	15	-	-	1528146
1452500-2		-	CuSn0.15	CuNi3Si	TIN PLATED verzinkt	GOLD PLATED vergoldet	0.22	-	0.22	1.2	1.55	1.55	0.65	2.1	2.1	1.1	2.6	2	5.7	0.2	15	-	-	1528147	0-1579001-6
1452500-1		-	CuSn0.15	CuNi3Si	TIN PLATED verzinkt	TIN PLATED verzinkt	0.25-0.35	24	-	1.1	1.85	1.85	0.8	2.65	2.65	1.4	2.6	2	5.7	0.2	15	-	-	1528147	0-1579001-6
1534594-3		E	CuSn0.15	CuNi3Si	TIN PLATED verzinkt	SILVER PLATED versilbert	0.5	20	0.5	1.4	2.1	2.1	1.1	2.8	2.9	1.6	3	2	6.1	0.2	16	-	-	1528673	5-1579021-6
1534594-2		E	CuSn0.15	CuNi3Si	TIN PLATED verzinkt	GOLD PLATED vergoldet	0.75	-	0.75	1.9	2.1	2.1	1.1	2.8	2.9	1.6	3	2	6.1	0.2	16	-	-	1528673	5-1579021-6
1534594-1		E	CuSn0.15	CuNi3Si	TIN PLATED verzinkt	TIN PLATED verzinkt	1.0-1.5	16	-	1.5	2.6	2.95	1.3	3.75	3.95	2.1	3	2	6.1	0.2	16	-	-	1528150	1-1579001-3
1670144-3		A	CuSn0.15	CuNi3Si	TIN PLATED verzinkt	SILVER PLATED versilbert	0.5	20	0.5	1.4	2.1	2.1	1.1	2.8	2.9	1.6	3	2	6.1	0.2	16	-	-	1528673	5-1579021-6
AS PRODUCTS ON CARRIER STRIP wie Bandware	1394897-3	E	CuSn0.15	CuNi3Si	TIN PLATED verzinkt	SILVER PLATED versilbert	0.5	20	0.5	1.4	2.3	2.5	1.1	3	3.2	1.75	3	2	6.1	0.2	16	-	-	1528148	0-1579001-5
	1394897-2	E	CuSn0.15	CuNi3Si	TIN PLATED verzinkt	GOLD PLATED vergoldet	0.75	-	0.75	1.9	2.3	2.5	1.1	3	3.2	1.75	3	2	6.1	0.2	16	-	-	1528148	0-1579001-5
	1394897-1	E	CuSn0.15	CuNi3Si	TIN PLATED verzinkt	TIN PLATED verzinkt	1.0-1.5	16	-	1.5	2.6	2.95	1.3	3.75	3.95	2.1	3	2	6.1	0.2	16	-	-	1528150	1-1579001-3
	1452503-3	C	CuSn0.15	CuNi3Si	TIN PLATED verzinkt	SILVER PLATED versilbert	0.14	26	0.14	1.05	1.55	1.55	0.65	2.1	2.1	1.1	2.6	2	5.7	0	15	-	-	1528146	3-1579001-6

NOTES

- 1 BODY
- 2 SPRING
- 3 ONLY FOR FLR-WIRE SEE DIN 72551, PART 6 AND AWG WIRE ACCORDING DC-SPEC: MS-8288; MS-7889; MS-9532
- 4 SURFACE  
a) BODY  
-PRE TIN 1 TO 3 µm  
b) SPRING  
-PRE TIN SnAg 1 TO 3µm  
-GOLD PLATED MIN. 0.8µm (ONLY CONTACT AREA)  
-SILVER PLATED 2 TO 5µm (ONLY CONTACT AREA)
- 5 STAMPED INDICATOR FOR PLATING:  
- A U GOLD PLATING  
- A G SILVER PLATING  
- TIN PLATING WITHOUT INDICATOR
- 6 OPTIONAL DATE CODE
- 7 1394897-1, -2, -3 superseded by 1670144-1, -2, -3  
1418847-1, -2, -3 superseded by 1670146-1, -2, -3

CAUTION!  
PART NUMBERS 1670144 AND 1670146 ARE PROCESSED WITH OTHER CRIMP HEIGHTS. SEE APPLICATION SPECIFICATION NO.114-18464 UP FROM REVISION "P"

DIFFERENT FORM OF THE SERRATIONS POSSIBLE

Bemerkungen

- 1 Kontaktkoerper
- 2 Kontaktfeder
- 3 Nur fuer FLR-Leitung nach DIN 72551, Teil 6 und AWG Leitung nach DC-Spec: MS-8288; MS-7889; MS-9532
- 4 Oberflaeche  
a) Kontaktkoerper  
-verzinkt 1 bis 3 µm  
b) Kontaktfeder  
-verzinkt SnAg 1 bis 3µm  
-galv. vergoldet min. 0.8µm (nur Kontaktzone)  
-galv. versilbert 2 bis 5µm (nur Kontaktzone)
- 5 Markierung fuer galvanische Ausfuehrung:  
- A U vergoldet  
- A G versilbert  
- Verzinkt: ohne Markierung
- 6 Optional Datumscode
- 7 1394897-1, -2, -3 ersetzt durch 1670144-1, -2, -3  
1418847-1, -2, -3 ersetzt durch 1670146-1, -2, -3

ACHTUNG!  
Teilenummern 1670144 und 1670146 werden mit anderen Crimphoeen verarbeitet. Siehe Verarbeitungsspezifikation Nr.114-18464 ab Revision "P"

Unterschiedliche Ausfuehrung der Rillen moeglich

THIS DRAWING IS A CONTROLLED DOCUMENT.

DIMENSIONS: mm	TOLERANCES UNLESS OTHERWISE SPECIFIED:	0 PLC #0.2	1 PLC #0.2	2 PLC #0.2	3 PLC #0.2	4 PLC #0.2	ANGLES #°
MATERIAL: -	FINISH: -	WEIGHT: 0.18 g	Customer Drawing				

OWN: G. Hotea	DATE: 17AUG2001	TE Connectivity
CHK: E.Henth	DATE: 11MAR2002	
APVD: H. Wendling	DATE: 12MAR2002	NAME: MCON 1.2 CB (CLEAN BODY)
PRODUCT SPEC: 108-18782	APPLICATION SPEC: 114-18464	SIZE: A1
WEIGHT: 0.18 g	CAGE CODE: 00779	DRAWING NO: 1534326
Customer Drawing	SCALE: 10:1	SHEET: 1 of 1

# Mouser Electronics

Authorized Distributor

Click to View Pricing, Inventory, Delivery & Lifecycle Information:

[TE Connectivity:](#)

[1418850-1](#) [1418850-1 \(Cut Strip\)](#) [1418850-1 \(Mouser Reel\)](#)