

LOC	DIST	F	LTR	REVISIONS	DATE	OWN	APVD
A1	-			REVISED PER ECO-11-005150	14APR2011	RK	HMR
				M10 Swage in insulation area section C-C corrected	01JUN2011	Kirs.	Merz

REMARKS
Bemerkungen

1 PRE TINNED
vorverzinkt 1-2 µm

2 FINISH: ELECTROPLATED SILVER
Oberfläche: galvanisch versilbert

ZONE "A": MIN 1-3 µm Ag
min 1-3 µm Ag

ZONE "B": MIN 1-3 µm ELECTROPLATED SN
min 1-3 µm galvanisch Sn

REST: SILVER OR TIN ALLOWED. IN TRANSITION AREAS
OVERLAPPING LAYER OR PLAIN SURFACES ARE NOT ALLOWED.
Silber oder Zinn erlaubt. Im Übergangsbereich sind keine
überlappenden Schichten oder blanke Stellen erlaubt.

3 PLAIN
blank

4 FINISH: ROLL-CLAD GOLD
Oberfläche: walzplattiert Gold

ZONE "A": MIN 1.2 µm AuNi5 OVER 10±2 µm Ni INTERFACE LAYER
min 1.2 µm AuNi5 ueber 10±2 µm Zwischenschicht

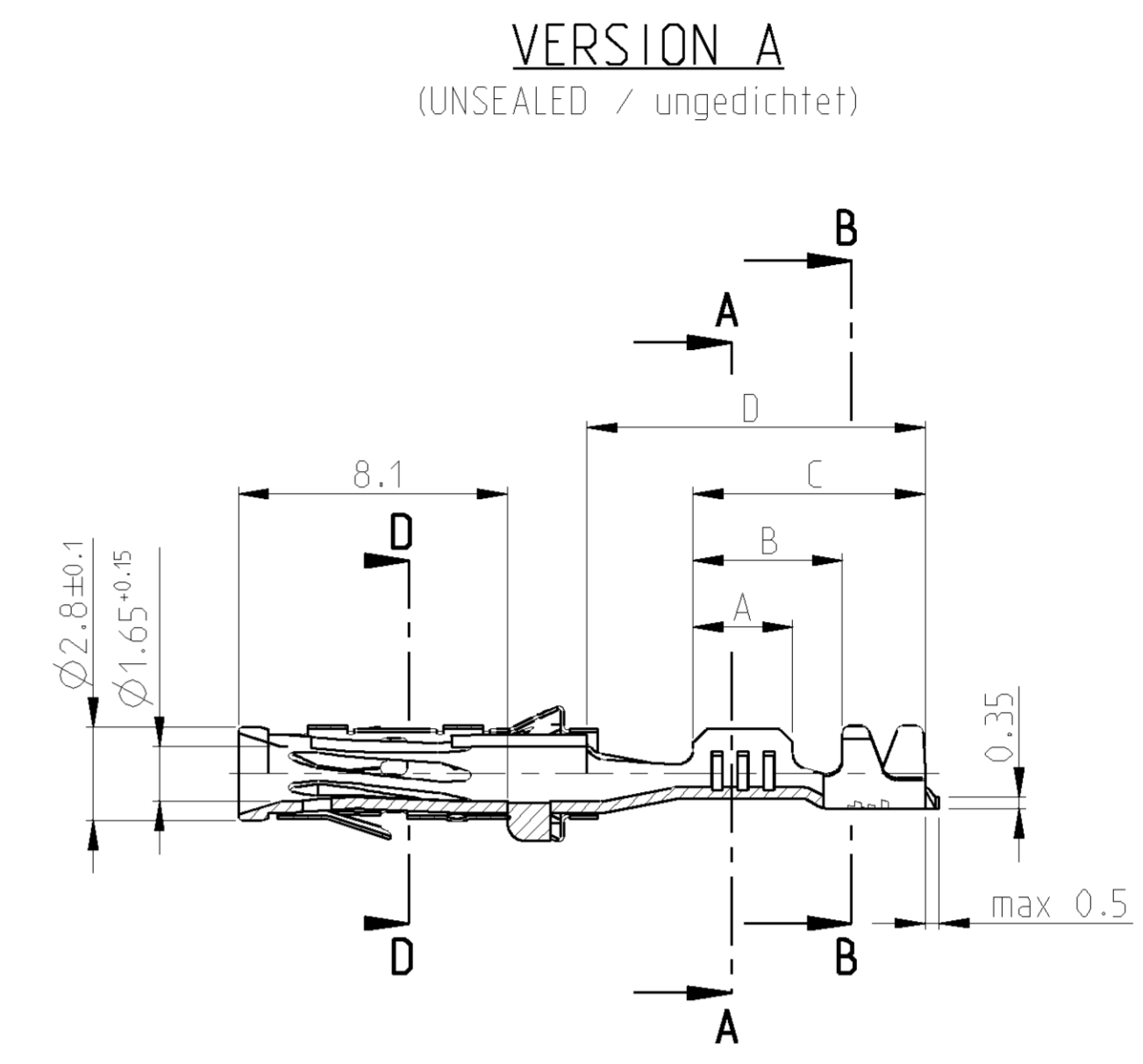
REST: MIN. 1-2 µm ELECTROPLATED Sn
min. 1-2 µm galvanisch Sn

5 FINISH: ELECTROPLATED GOLD
Oberfläche: galvanisch vergoldet

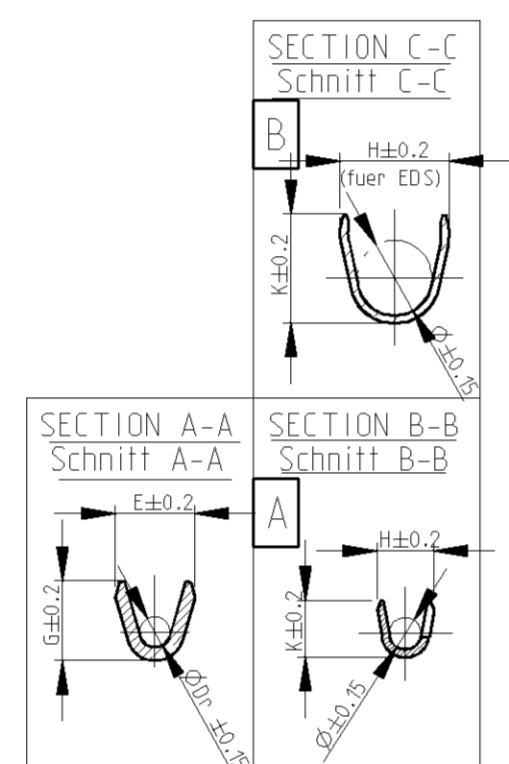
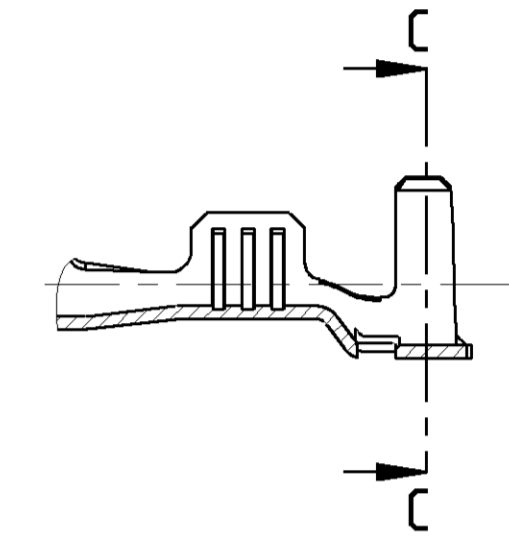
ZONE "A": MIN 0.8 µm ELECTROPLATED Au OVER MIN 1.3 µm ELECTROPLATED Ni LAYER
AT CONTACT AREA
min 0.8 µm galvanisch Au ueber min 1.3 µm galvanisch Ni Zwischenschicht
im Kontaktbereich

ZONE "B": MIN 1-2 µm ELECTROPLATED Sn OVER MIN 0.05 µm ELECTROPLATED Ni LAYER
min 1-2 µm galvanisch Sn ueber min 0.05 µm galvanisch Ni Zwischenschicht

REST: Au, Sn OR Ni SURFACE. NO PLAIN SURFACES ALLOWED.
Au, Sn ober Ni Oberfläche. Keine blanken Stellen erlaubt.

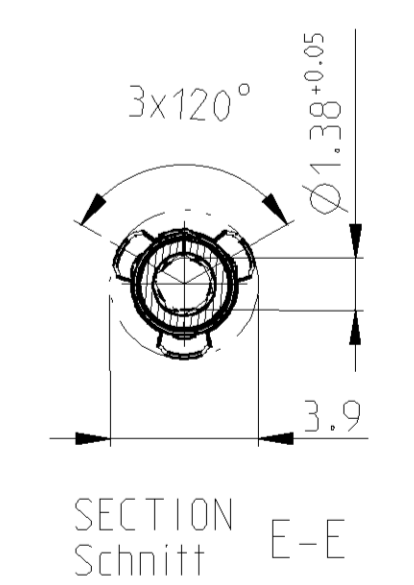
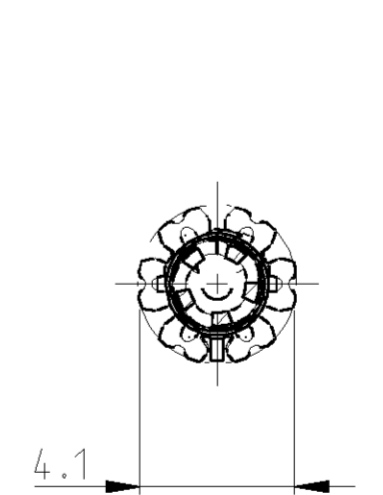
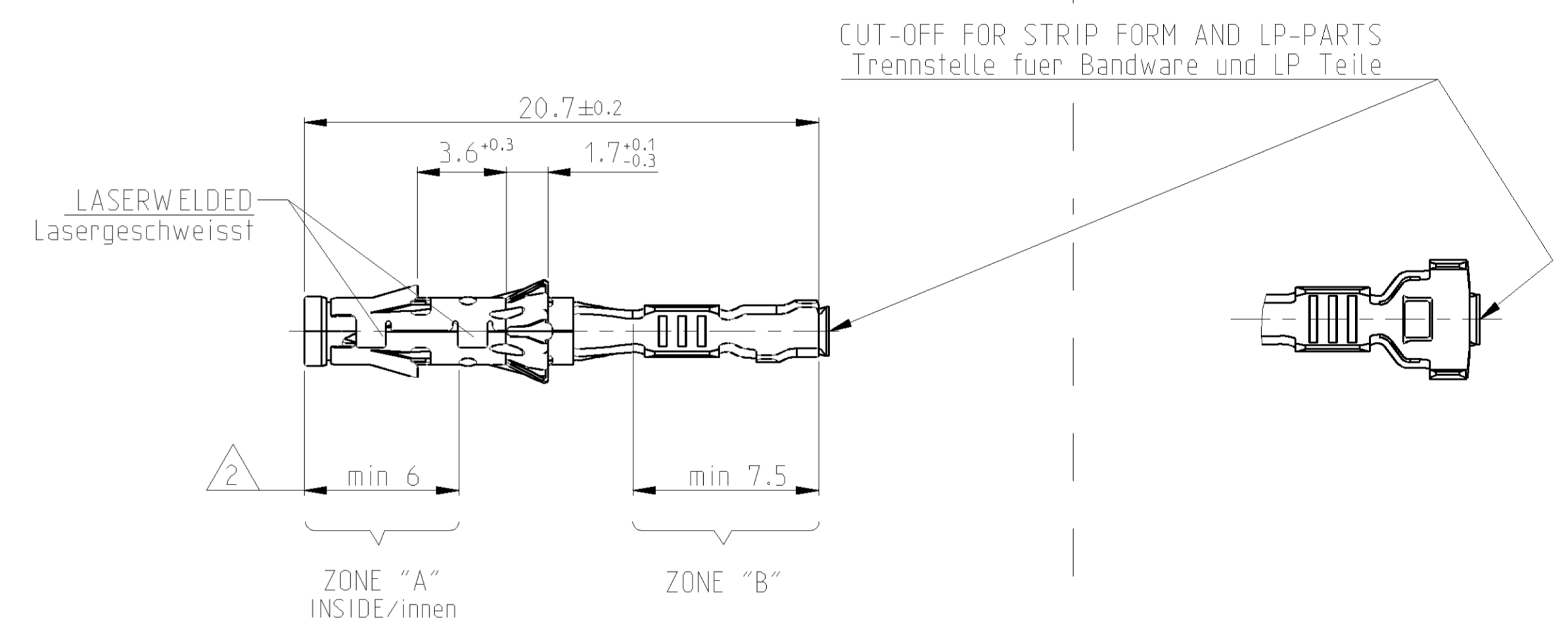


VERSION B
(SINGLE WIRE SEAL-SYSTEM /
Einzel-Dichtungs-System)
DGB 0.5 - 2.5 mm



Version B (SINGLE WIRE SEAL-SYSTEM / Einzel-Dichtungs-System)	ORDER-No. SINGLE SEAL Einzeldichtung	ORDER-No. DEAD END PLUG Blindstopfen												
1-929990-0	1-962999-0	K	CuNi18Zn20	3	>1.0-2.5 FLR	2.2-3.0	E=3.6 G=3.8 Ø _{Dr} =1.7	H=5.0 K=5.0 Ø=3.6	4	7.2	8.7	10.4	828905-1	828922-1
929990-7	962999-7	K	CuNiSi	2										
929990-4	962999-4	K	CuFe2	1										
929990-3		K	CuNiSi	4										
929990-1	962999-1	K	CuNiSi	1	0.5-1.0 FLR	1.2-2.1	E=2.6 G=2.8 Ø _{Dr} =1.1	H=4.8 K=4.8 Ø=3.2	3	5.4	7	10.2	828904-1	828922-1
1-929989-0	1-962998-0	A	CuNi18Zn20	3										
929989-8	962998-8	A	CuNiSi	5										
929989-7	962998-7	A	CuNiSi	2										
929989-4	962998-4	M	CuFe2	1										
929989-1	962998-1	M	CuNiSi	1	0.2-0.4 FLR	1.2-2.1	E=2.1 G=2.1 Ø _{Dr} =0.8	H=4.7 K=4.5 Ø=3.2	3	5.4	7	10.2	828904-1	828922-1
929988-4	962997-4	J	CuFe2	1										
929988-2	962997-2	K	CuNiSi	2										
929988-1	962997-1	J	CuNiSi	1										

Version A (UNSEALED / ungedichtet)	ORDER-NO. STRIP FORM Bandware	ORDER-NO. LOOSE PIECE. Einzelausführung	REV.	MATERIAL Werkstoff	SURFACE Oberfläche	DGB [mm 2]	ISOL. Ø [mm]	WIRE CRIMP Drahtcrimp	INSUL.-CRIMP Isol.-Crimp	A	B	C	D
	929987-4	962996-4	L	CuFe2	1	>1.0-2.5 FLR	1.9-3.0	E=3.6 G=3.8 Ø _{Dr} =1.7	H=4.3 K=4.5 Ø=2.6	4	5.5	8.5	10.2
	929987-1	962996-1	L	CuNiSi	1	0.5-1.0 FLR	1.4-2.1	E=2.6 G=2.8 Ø _{Dr} =1.1	H=3.2 K=3.4 Ø=1.8	3	4.5	7	10.2
	929986-4	962995-4	L	CuFe2	1								
	929986-1	962995-1	L	CuNiSi	1	0.2-0.4 FLR	1.15-1.6	E=2.1 G=2.1 Ø _{Dr} =0.8	H=2.5 K=2.5 Ø=1.4	3	4.5	7	10.2
	929985-4	962994-4	J	CuFe2	1								
	929985-1	962994-1	J	CuNiSi	1								



THIS DRAWING IS A CONTROLLED DOCUMENT. DIMENSIONS: MASSENMETREN (mm). TOLERANCES UNLESS OTHERWISE SPECIFIED: ALLGEMEINERLEGEN. MATERIAL: FINISH/OBERFLÄCHE/FARBE. WEIGHT / GEWICHT: 0.4g. CUSTOMER DRAWING. DWN: Abraham, G. 17OCT2003. CHK: Goepfel, C. 18OCT2003. APVD: Gleichner, M. 22OCT2003. NAME: DIA. 1.5mm SOCKET CONTACT / Ø1.5mm Buchsenkontakt. NOT the LATEST REVISION. SHEET 1 OF 1. BLATT 1 VON 1. REK: M10.

Mouser Electronics

Authorized Distributor

Click to View Pricing, Inventory, Delivery & Lifecycle Information:

[TE Connectivity:](#)

[929989-1 \(Mouser Reel\)](#) [929989-1 \(Cut Strip\)](#) [929989-1 \(Loose Piece\)](#)