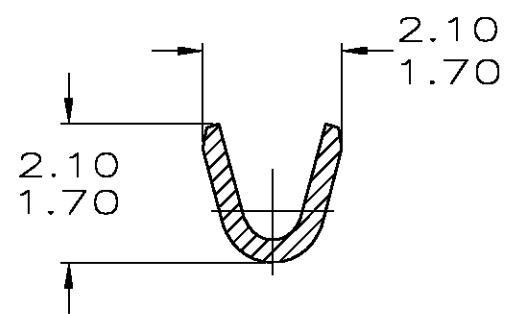
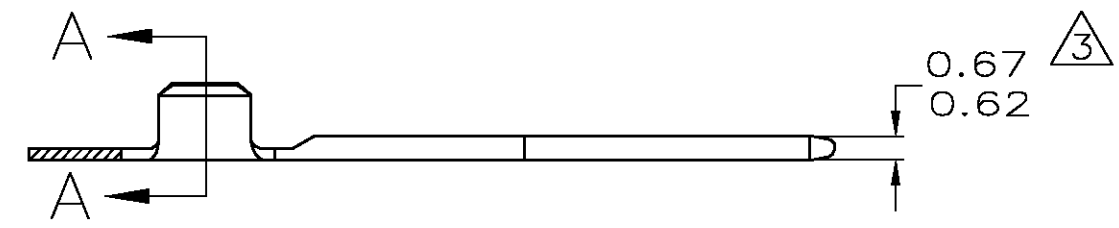
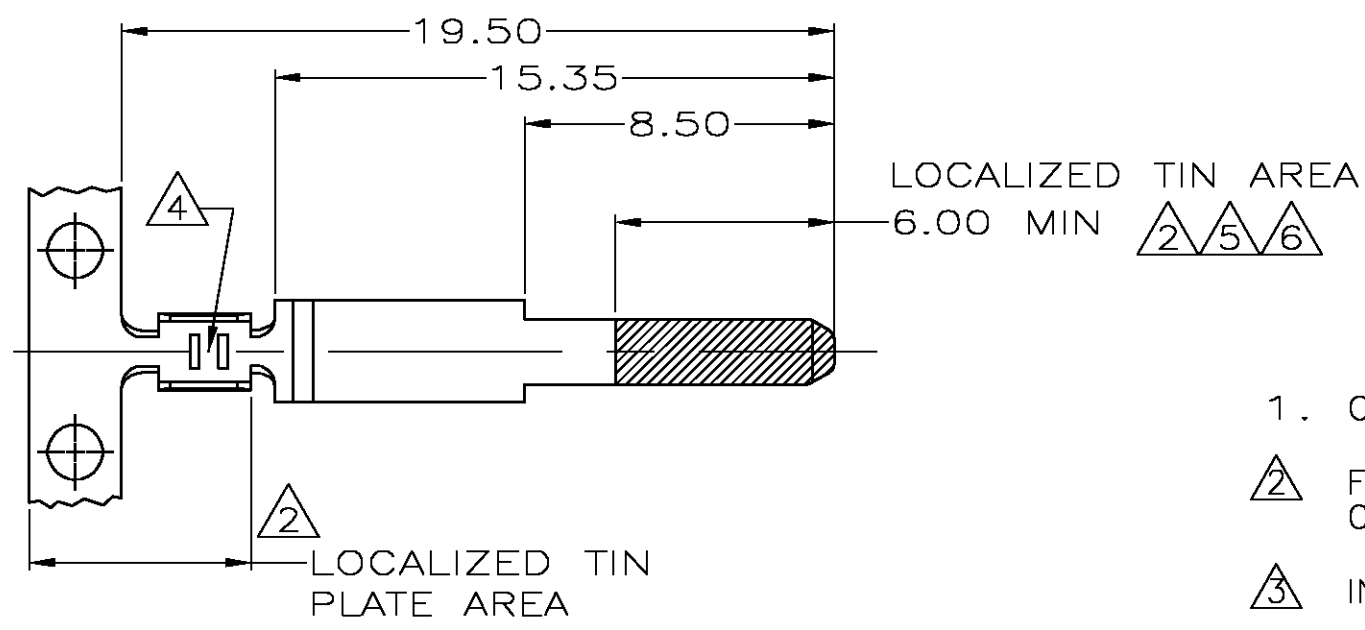


THIS DRAWING IS UNPUBLISHED. RELEASED FOR PUBLICATION
 © COPYRIGHT BY TYCO ELECTRONICS CORPORATION. ALL RIGHTS RESERVED.

LOC	DIST	REVISIONS			
P	LTR	DESCRIPTION	DATE	DWN	APVD
GE	00	A1	REDRAWN - EC 0K40-0364-03	07MAY03	JRB KLC



SECTION A-A
SCALE 10:1

1. CONTINUOUS STRIP ON REELS.
2. FINISH: 0.0038 TO 0.0076 TIN IN LOCALIZED AREAS OVER 0.00127 MIN NICKEL OVERALL.
3. INCLUDES PLATING THICKNESS.
4. TWO WIRE CRIMP SERRATIONS LOCATED IN THIS AREA.
5. DIM 6.0 POINT OF PLATING MEASUREMENT.
6. NO POST PLATED TOOL MARKS PERMITTED IN THIS AREA.

2	SAE CA 260 TEMP 2 BRASS	22 AWG STRANDED	184365-1
FINISH	MATERIAL	WIRE SIZE	PART NO
THIS DRAWING IS A CONTROLLED DOCUMENT.		DWN KD LYTLE 30SEP99	Tyco Electronics Corporation Harrisburg, PA 17105-3608
DIMENSIONS: MM		CHK GM INHOFFER 11OCT99	
TOLERANCES UNLESS OTHERWISE SPECIFIED:		APVD GM INHOFFER 11OCT99	NAME TAB, E-JII+ SENSOR CONNECTOR
0 PLC ± - 1 PLC ± 0.3 2 PLC ± 0.13 3 PLC ± - 4 PLC ± - ANGLES ± -		PRODUCT SPEC	SIZE A3
MATERIAL SEE TABLE	FINISH SEE TABLE	APPLICATION SPEC	CAGE CODE 00779
		WEIGHT	DRAWING NO 184365
		RESTRICTED TO	
CUSTOMER DRAWING		SCALE 5:1	SHEET 1 OF 1
		REV A1	

Mouser Electronics

Authorized Distributor

Click to View Pricing, Inventory, Delivery & Lifecycle Information:

[TE Connectivity:](#)

[184365-1](#)