

2374826-1 ✓ ACTIVE

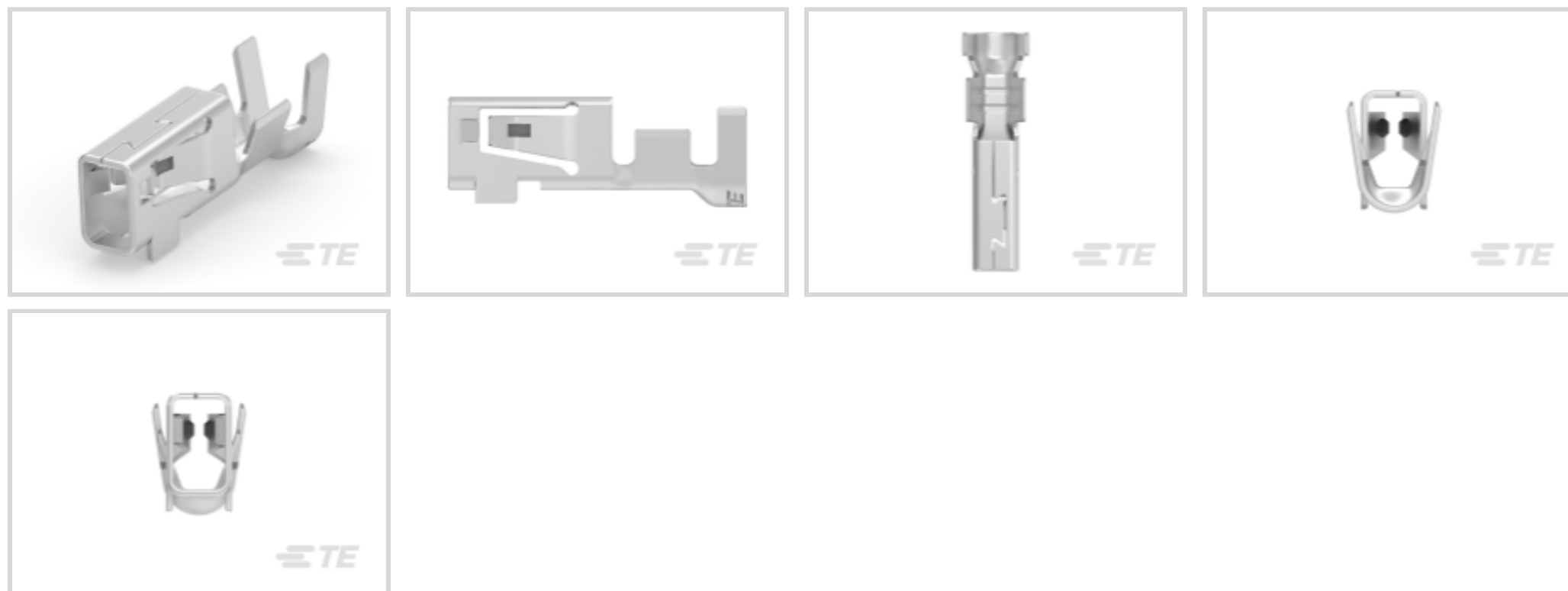
TE Internal #: 2374826-1

Connector Assembly, Plug & Receptacle, Wire-to-Board, 2.5 mm [.098 in] Centerline, Crimp Terminal, Printed Circuit Board, Signal, Board Mount

[View on TE.com >](#)



Connectors > PCB Connectors > Wire-to-Board Connectors > Wire-to-Board Connector Assemblies & Housings



Connector Product Type: **Connector Assembly**

Connector & Housing Type: **Plug & Receptacle**

Connector System: **Wire-to-Board**

Centerline (Pitch): **2.5 mm [.098 in]**

Termination Method to Wire & Cable: **Crimp Terminal**

Features

Product Type Features

| | |
|-----------------------------------|-----------------------|
| Connector Product Type | Connector Assembly |
| Connector & Housing Type | Plug & Receptacle |
| Connector System | Wire-to-Board |
| Sealable | No |
| Connector & Contact Terminates To | Printed Circuit Board |

Contact Features

| | |
|------------------------------|-----|
| Contact Current Rating (Max) | 3 A |
|------------------------------|-----|

Termination Features

| | |
|------------------------------------|----------------|
| Termination Method to Wire & Cable | Crimp Terminal |
|------------------------------------|----------------|

Mechanical Attachment

| | |
|-------------------------|-------------|
| Mating Retention | With |
| Connector Mounting Type | Board Mount |

Housing Features

| | |
|--------------------|-----------------|
| Centerline (Pitch) | 2.5 mm[.098 in] |
|--------------------|-----------------|



Usage Conditions

| | |
|-----------------------------|----------------------------|
| Operating Temperature Range | -40 – 105 °C[-40 – 221 °F] |
|-----------------------------|----------------------------|

Operation/Application

| | |
|---------------------|--------|
| Circuit Application | Signal |
|---------------------|--------|

Product Compliance

[For compliance documentation, visit the product page on TE.com>](#)

| | |
|---|---|
| EU RoHS Directive 2011/65/EU | Compliant |
| EU ELV Directive 2000/53/EC | Compliant |
| China RoHS 2 Directive MIIT Order No 32, 2016 | No Restricted Materials Above Threshold |
| EU REACH Regulation (EC) No. 1907/2006 | Current ECHA Candidate List: JUNE 2024 (241) Candidate List Declared Against: JUNE 2024 (241) Does not contain REACH SVHC |
| Halogen Content | Low Halogen - Br, Cl, F, I < 900 ppm per homogenous material. Also BFR/CFR/PVC Free |
| Solder Process Capability | Not reviewed for solder process capability |

Product Compliance Disclaimer

This information is provided based on reasonable inquiry of our suppliers and represents our current actual knowledge based on the information they provided. This information is subject to change. The part numbers that TE has identified as EU RoHS compliant have a maximum concentration of 0.1% by weight in homogenous materials for lead, hexavalent chromium, mercury, PBB, PBDE, DBP, BBP, DEHP, DIBP, and 0.01% for cadmium, or qualify for an exemption to these limits as defined in the Annexes of Directive 2011/65/EU (RoHS2). Finished electrical and electronic equipment products will be CE marked as required by Directive 2011/65/EU. Components may not be CE marked. Additionally, the part numbers that TE has identified as EU ELV compliant have a maximum concentration of 0.1% by weight in homogenous materials for lead, hexavalent chromium, and mercury, and 0.01% for cadmium, or qualify for an exemption to these limits as defined in the Annexes of Directive 2000/53/EC (ELV). Regarding the REACH Regulation, the information TE provides on SVHC in articles for this part number is based on the latest European Chemicals Agency (ECHA) 'Guidance on requirements for substances in articles' posted at this URL: <https://echa.europa.eu/guidance-documents/guidance-on-reach>

Compatible Parts



TE Part # 4-2393116-1
New GI2.5 HDR ASSY,4P,key A,NTL



TE Part # 2396170-2
OCEAN-2.0-APPLICATOR-S-042F057OV-RSA



TE Part # 3-2393116-2
New GI2.5 HDR ASSY,3P,key B, BLUE



TE Part # 6-2393116-1
NEW GI CONN2.5 HDR ASMBLY 6P NC D1.0




TE Part # 2396170-1
OCEAN-2.0-APPLICATOR-S-042F057OV-RSM



TE Part # 5-2393792-1
New GI2.5 HDR,selected pin,3P,KEY A NTL



TE Part # 3-2393792-1
New GI2.5 HDR,selected pin,2P,KEYA NTL



KIT
REPRESENTATION ONLY
TE Part # 7-2396170-7
OCEAN_2.0_SPARE_PART_KIT-042F057OV



TE Part # 6-2393116-3
New GI2.5 HDR ASSY,6P,key C, RED

Customers Also Bought



TE Part #6-2382946-2
SGI 1.5 Plug HSG, 2P, Key B, Blue



TE Part #5-1971794-1
NEW GI CONN2.5 TPA 5P BLACK



TE Part #2-2382946-8
SGI 1.5 Plug HSG, 8P, Key B, Black



TE Part #4-2382946-2
SGI 1.5 Plug HSG, 2P, Key A, Red



TE Part #2-2383410-3
SGI 1.5 TPA, 3P, Natural



TE Part #5-2295787-5
STD TIMER PLUG HSG 5P W/EXT. LOCKING-SP




TE Part #2-2382946-4
SGI 1.5 Plug HSG, 4P, Key B, Black



TE Part #1747050-4
GIC 7.92 2POS PLUG YELLOW KEYING A



TE Part #350687-2
UMNL SPLIT PIN AUBR



TE Part #3-2377775-1
New GI2.5 TPA,3P,BLK

Documents



Product Drawings

NEW GI CONN2.5 REC. CONTACT

English

CAD Files

Customer View Model

[ENG_CVM_CVM_2374826-1_1.2d_dxf.zip](#)

English

Customer View Model

[ENG_CVM_CVM_2374826-1_1.3d_igs.zip](#)

English

3D PDF

3D

Customer View Model

[ENG_CVM_CVM_2374826-1_1.3d_stp.zip](#)

English

By downloading the CAD file I accept and agree to the [Terms and Conditions](#) of use.

Product Specifications

Application Specification

English

Mouser Electronics

Authorized Distributor

Click to View Pricing, Inventory, Delivery & Lifecycle Information:

[TE Connectivity:](#)

[2374826-1](#)