

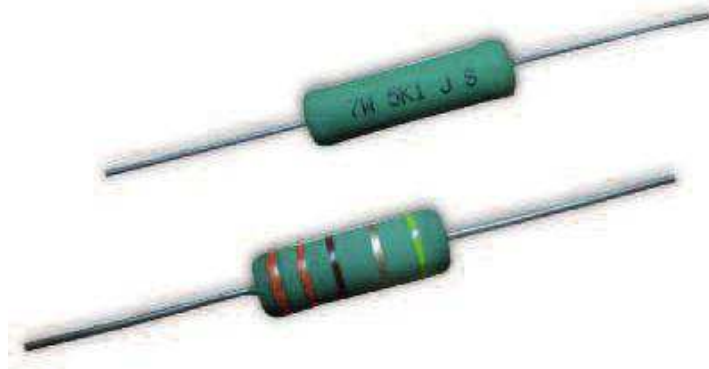
Type EP Series

Key Features

Power up to
10W in Small
Size

16 Size/Power
Options

Specially
Designed and
Tested for
Surge
Immunity

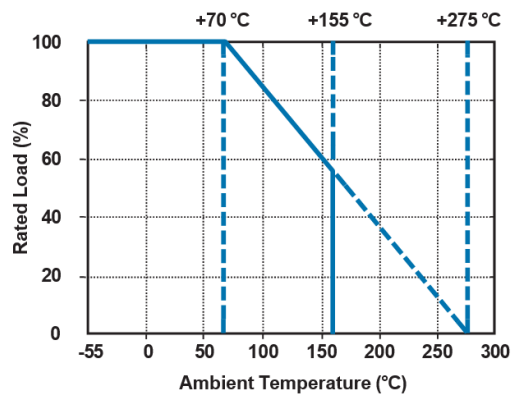


TE Connectivity is pleased to offer this wire wound axial leaded resistor. Robustly manufactured with high quality materials this resistor offers flame proof coating, and is designed and tested to withstand power surges of up to 12KV.

Characteristics – Electrical

	Type	Rated Power at 70° C	Max. Working Voltage	Max. Overload Voltage	Dielectric Withstanding Voltage	Resistance Range	Operating Temp. Range
Normal size	EP05W	1/2W (0.50W)	500 V	1,000 V	350 V	10Ω – 560Ω	-55°C – +155°C
	EP1W	1W	500 V	1,000 V	500 V	10Ω – 1KΩ	
	EP2W	2W	500 V	1,000 V	500 V	10Ω – 2KΩ	
	EP3W	3W	500 V	1,000 V	500 V	10Ω – 3KΩ	
	EP5W	5W	500 V	1,000 V	500 V	10Ω – 5KΩ	
	EP7W	7W	500 V	1,000 V	500 V	10Ω – 6KΩ	
	EP8W	8W	500 V	1,000 V	500 V	10Ω – 10KΩ	
Small size	EP9W	9W	500 V	1,000 V	500 V	10Ω – 15KΩ	-55°C – +155°C
	EP1WS	1W	500 V	1,000 V	500 V	10Ω – 560Ω	
	EP2WS	2W	500 V	1,000 V	500 V	10Ω – 1KΩ	
	EP3WS	3W	500 V	1,000 V	500 V	10Ω – 2KΩ	
	EP5WS	5W	500 V	1,000 V	500 V	10Ω – 3KΩ	
	EP7WS	7W	500 V	1,000 V	500 V	10Ω – 5KΩ	
	EP8WS	8W	500 V	1,000 V	500 V	10Ω – 6KΩ	
	EP9WS	9W	500 V	1,000 V	500 V	10Ω – 10KΩ	
	EP10WS	10W	500 V	1,000 V	500 V	10Ω – 15KΩ	

Derating Curve

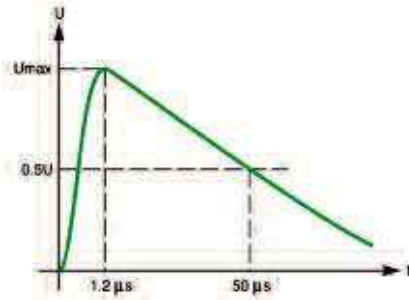


For resistors operated in ambient temperatures above 70°C, power rating must be derated in accordance with this curve.

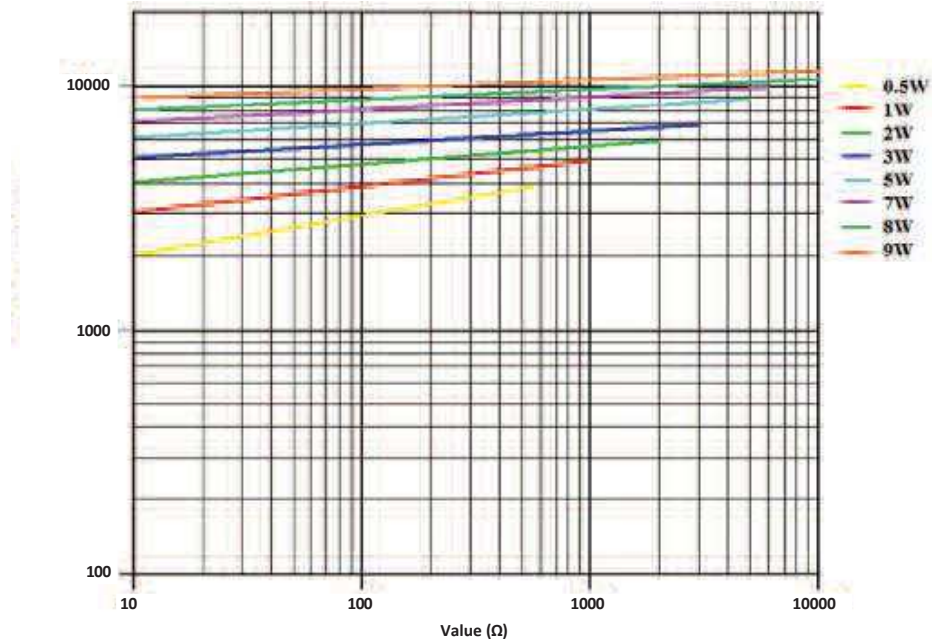
Surge Rating

Type	Low Resistance Range	Maximum Surge Voltage	Medium Resistance Range	Maximum Surge Voltage	High Resistance Range	Maximum Surge Voltage
EP05W	10Ω – 40Ω	3kV	43Ω – 240Ω	4kV	270Ω – 560Ω	4kV
EP1W	10Ω – 50Ω	4kV	51Ω – 240 Ω	5kV	270Ω – 1kΩ	5kV
EP2W	10Ω – 100Ω	5kV	110Ω – 240Ω	6kV	270Ω – 2kΩ	6kV
EP3W	10Ω – 100Ω	7kV	110Ω – 680Ω	8kV	750Ω – 3kΩ	8kV
EP5W	10Ω – 160Ω	8kV	180Ω – 680Ω	9kV	750Ω – 5kΩ	9kV
EP7W	10Ω – 160Ω	9kV	180Ω – 680Ω	10kV	750Ω – 6kΩ	10kV
EP8W	10Ω – 160Ω	10kV	180Ω – 680Ω	11kV	750Ω – 10kΩ	11kV
EP9W	10Ω – 160Ω	10kV	180Ω – 680Ω	11kV	750Ω – 15kΩ	12kV
Small Size						
EP1WS	10Ω – 40Ω	3kV	43Ω – 240Ω	4kV	270Ω – 560Ω	4kV
EP2WS	10Ω – 50Ω	4kV	51Ω – 240 Ω	5kV	270Ω – 1kΩ	5kV
EP3WS	10Ω – 100Ω	5kV	110Ω – 240Ω	6kV	270Ω – 2kΩ	6kV
EP5WS	10Ω – 100Ω	7kV	110Ω – 680Ω	8kV	750Ω – 3kΩ	8kV
EP7WS	10Ω – 160Ω	8kV	180Ω – 680Ω	9kV	750Ω – 5kΩ	9kV
EP8WS	10Ω – 160Ω	9kV	180Ω – 680Ω	10kV	750Ω – 6kΩ	10kV
EP9WS	10Ω – 160Ω	10kV	180Ω – 680Ω	11kV	750Ω – 10kΩ	11kV
EP10WS	10Ω – 160Ω	10kV	180Ω – 680Ω	11kV	750Ω – 15kΩ	12kV

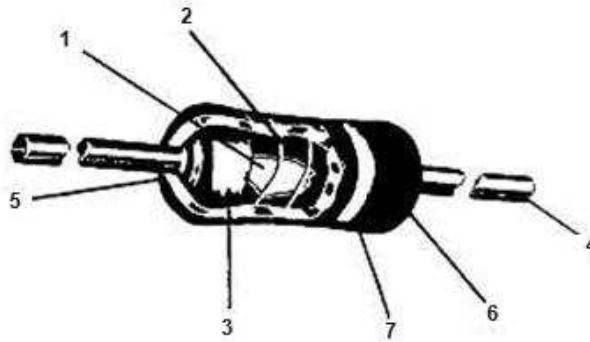
Surge Waveform (1.2 / 50 μs)



1.2 / 50 μs Voltage Capability

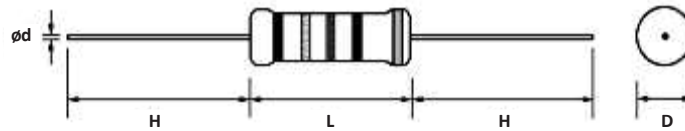


Construction



No.	Name	Material
1	Basic Body	Rod Type Ceramics
2	Resistance Wire	Ni-Cr Alloy, Cu-Ni Alloy
3	End Cap	Steel (Tin plated iron surface)
4	Lead Wire	Annealed copper wire coated with tin
5	Joint	By welding
6	Coating	Insulated & Non-Flame paint (colour: Light Green)
7	Colour Code	Non-resin

Dimensions and Resistance Range

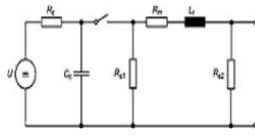


Type	Power Rating at 70 °C	Dimensions (mm)			
		D ± 1	L ± 1	d ± 0.05	H ± 3
EP05W	1/2W (0.50W)	3.5	10.0	0.54	28
EP1W	1W	5.0	12.0	0.70	28
EP2W	2W	5.5	16.0	0.70	28
EP3W	3W	6.5	17.5	0.75	28
EP5W	5W	8.5	25.0	0.75	38
EP7W	7W	8.5	30.0	0.75	38
EP8W	8W	8.5	40.0	0.75	38
EP9W	9W	8.5	53.0	0.75	38
EP1WS	1W-S	3.5	10.0	0.54	28
EP2WS	2W-S	5.0	12.0	0.70	28
EP3WS	3W-S	5.5	16.0	0.70	28
EP5WS	5W-S	6.5	17.5	0.75	28
EP7WS	7W-S	8.5	25.0	0.75	38
EP8WS	8W-S	8.5	30.0	0.75	38
EP9WS	9W-S	8.5	40.0	0.75	38
EP10WS	10W-S	8.5	53.0	0.75	38

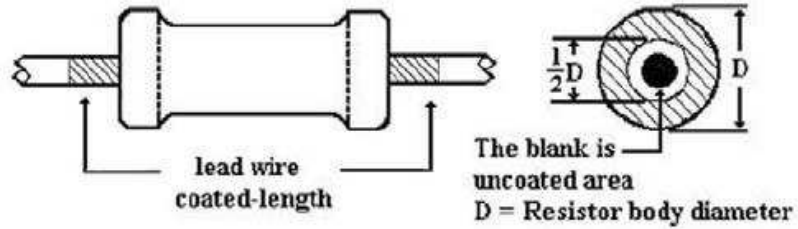
Performance Specification

Characteristics	Limits	Test Methods (JIS C 5201-1)
DC. resistance	Must be within the specified tolerance	The limit of error of measuring apparatus shall not exceed allowable range or 5% of resistance tolerance. (Sub-clause 4.5)
Temperature coefficient	<20Ω : ± 400 PPM/°C ≥20Ω : ± 300PPM/°C	Natural resistance change per temp. degree centigrade. $\frac{R2-R1}{R1(t2-t1)} \times 10^6 \quad (\text{PPM}/^\circ\text{C})$ R1: Resistance value at room temperature (t1) R2: Resistance value at room temp. plus 100 °C (t2) (Sub-clause 4.8)
Short time overload	Resistance change rate is ± (2% + 0.05Ω) Max. with no evidence of mechanical damage	Permanent resistance change after application of a potential of 2.5 times RCWV for 5 seconds. (Sub-clause 4.13)
Terminal Strength	No evidence of mechanical damage	Direct load: Resistance to a 2.5 kgs direct load for 10 secs. In the direction of the axis of the terminal leads Twist test: Terminal leads shall be bent through 90° at a point of about 6mm from the body of the resistor and shall be rotated through 360° about the original axis of the bent terminal in alternating direction for a total of 3 rotations (Sub-clause 4.16)
Solderability	95% coverage Min.	The area covered with a new, smooth, clean, shiny and continuous surface free from concentrated pinholes. Test temp. of solder 245°C ± 3°C Dwell time in solder : 2 ~ 3 seconds (Sub-clause 4.17)
Soldering temp. reference	Electrical characteristics shall be satisfied. Without distinct deformation in appearance. (95% coverage Min.)	The leads immersed into solder bath to 3.2 to 4.8 mm. from the body. Permanent resistance change shall be checked. <u>Wave soldering conditions: (2 cycles Max.)</u> Pre-heat : 100 ~ 120 °C, 30 ± 5 sec. Suggestion solder temp.: 235 ~ 255 °C, 10 sec. (Max.) Peak temp.: 260 °C <u>Hand soldering condition:</u> Hand soldering bit temp.: 380 ± 10 °C Dwell time in solder : 3 +1/-0 sec.
Resistance to soldering heat	Resistance change rate is ± (1% + 0.05Ω) Max. with no evidence of mechanical damage.	Permanent resistance change when leads immersed to 3.2 to 4.8 mm from the body in 350°C ± 10 °C solder for 3 ± 0.5 seconds. (Sub-clause 4.18)

Performance Specification (continued)

Characteristics	Limits	Test Methods (JIS C 5201-1)	
Temperature cycling	Resistance change rate is $\pm (2\% + 0.05\Omega)$ Max. with no evidence of mechanical damage	Resistance change after continuous 100 cycles for duty shown below:	
		Step	Temperature
		1	-55°C \pm 3°C
		2	Room temp.
		3	+155°C \pm 2°C
4	Room temp.		
		(Sub-clause 4.19)	
Vibration	Resistance change rate is $\pm (1\% + 0.05\Omega)$ Max.	55Hz, 3 planes 2hrs each Total amplitude = 1.5mm (Sub-clause 4.22)	
Load life in humidity	Resistance change rate is $\pm (5\% + 0.05\Omega)$ Max. with no evidence of mechanical damage	Resistance change after 1000 hrs (1.5 hrs "on", 0.5 hr "off") at RCWV in a humidity test chamber controlled at 40 °C \pm 2 °C and 90 to 95 % relative humidity (Sub-clause 4.24.2.1)	
Load life	Resistance change rate is $\pm (5\% + 0.05\Omega)$ Max. with no evidence of mechanical damage	Permanent resistance change after 1000 hrs operating at RCWV with duty cycle of (1.5 hours "on", 0.5 hour "off") at 70°C \pm 2°C ambient (Sub-clause 4.25.1)	
Resistance to solvent	No deterioration of protective coatings and markings	Specimens shall be immersed in a bath of Isopropyl alcohol completely for 3 minutes with ultrasonic (Sub-clause 4.30)	
Surge immunity test (Resistor stand alone-Not sync to phase angle and polarity)	Resistance change rate is $\pm (5\% + 0.05\Omega)$ Max.	Refer to IEC61000-4-5	Max Surge Voltage
		 <p>1.2µsec rising time and 50µsec discharge; 10 cycles every 1 minute</p>	Refer to surge rating chart.

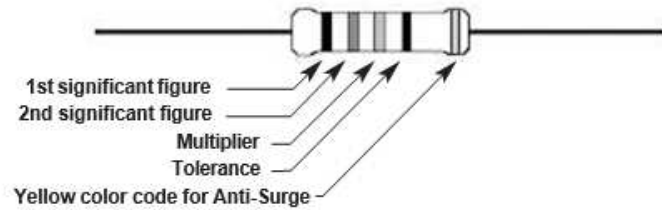
Painting Method



Welding point, terminal and lead wire, is permissible to be exposed without the outer coated cover. The extent should be within $\frac{1}{2}$ of the angle.

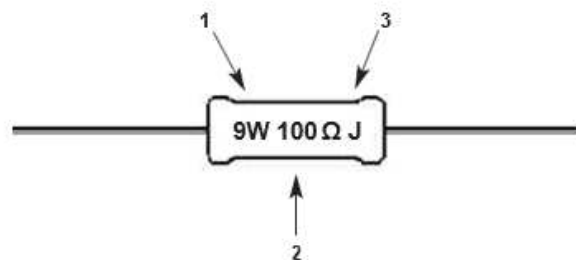
Marking

For EP Normal Size 1/2W, 1W, 2W, 3W and EP Small Size 1WS, 2WS, 3WS, 5WS Resistors shall be marked with colour coding in accordance with JIS C 0802.



For EP Normal Size 5W, 7W, 8W 9W and EP Small Size 7WS, 8WS, 9WS, 10WS Resistors will be marked with:

1. Power Rating,
2. Nominal Resistance
3. Resistance Tolerance Code.




Label

Label shall be marked with the following items:

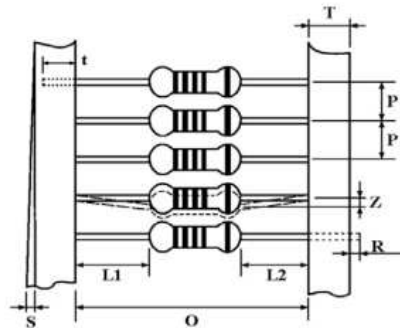
1. Type and style
2. Nominal resistance
3. Resistance tolerance
4. Quantity
5. Lot number
6. PPM

Example:

TYCO Pn	2176082-7		
DESC	EP 3W (S)	± 5%	100R
QTY	1,000	Pcs.	PPM: 300
LOT	SAMPLE		
REF	RoHS 2011/65/EU		
			

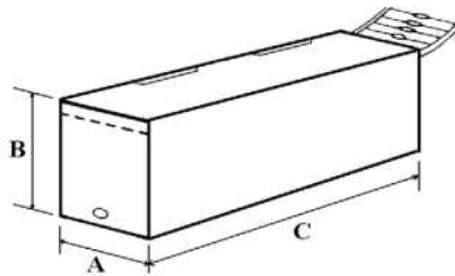
Packaging

Tape dimensions (mm)



	Style	O ± 1	P	L1-L2 Max.	T ± 1	Z Max.	R	T ± 1	S Max.
EP05W	PT-52	52	5± 0.3	1	6	1	0	4	0.5
EP1W	PT-52	52	5± 0.3	1	6	1	0	4	0.5
EP2W	PT-64	64	10± 0.5	1	6	1	0	5	0.5
EP3W	PT-64	64	10± 0.5	1	6	1	0	6	0.5
Small Size									
EP1WS	PT-52	52	5± 0.3	1	6	1	0	4	0.5
EP2WS	PT-52	52	5± 0.3	1	6	1	0	4	0.5
EP3WS	PT-64	64	10± 0.5	1	6	1	0	5	0.5
EP5WS	PT-64	64	10± 0.5	1	6	1	0	6	0.5

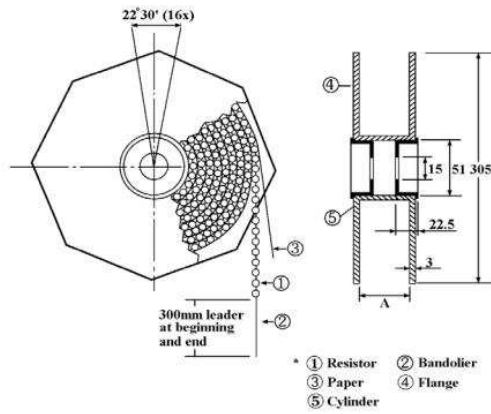
Tape In Box Packaging (mm)



Bandoliers may also be contained in a cardboard box ("Ammopack")

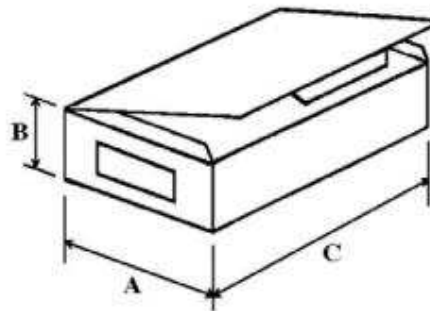
	Style	C ± 5	A ± 5	B ± 5	Quantity Per Box (pcs.)
EP05W	PT-52	260	85	70	1000
EP1W	PT-52	262	86	80	1000
EP2W	PT-64	262	92	108	1000
EP3W	PT-64	256	92	80	500
Small Size					
EP1WS	PT-52	260	85	70	1000
EP2WS	PT-52	262	86	80	1000
EP3WS	PT-64	262	92	108	1000
EP5WS	PT-64	256	92	80	500

Tape On Reel Packaging (mm)



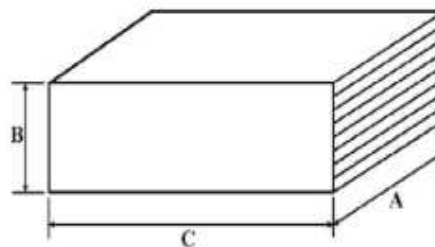
	Style	A (Across Flanges)	Quantity Per Reel
EP05W	PT-52	73 ± 2	2500
EP1W	PT-52	73 ± 2	2500
EP2W	PT-64	81 ± 5	1000
EP3W	PT-64	81 ± 5	500
Small Size			
EP1WS	PT-52	73 ± 2	2500
EP2WS	PT-52	73 ± 2	2500
EP3WS	PT-64	81 ± 5	1000
EP5WS	PT-64	81 ± 5	500

Bulk In Box (in plastic bag) (mm)



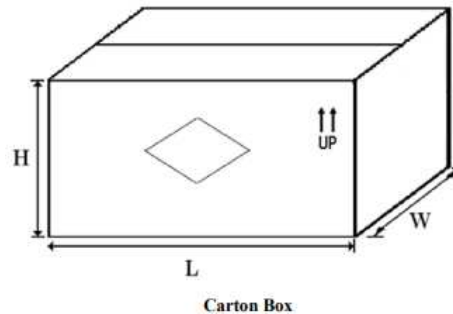
	C ± 5	A ± 5	B ± 5	Quantity Per Bag/Box (pcs.)
EP05W	155	95	53	100 / 1000
EP1W	155	95	53	100 / 500
EP2W	155	95	53	100 / 500
EP3W	155	95	53	100 / 400
Small Size				
EP1WS	155	95	53	100 / 1000
EP2WS	155	95	53	100 / 500
EP3WS	155	95	53	100 / 500
EP5WS	155	95	53	100 / 400

Bulk In Plastic Case Packaging (mm)



	C ± 5	A ± 5	B ± 5	Quantity Per Case/Box (pcs.)
EP5W	36	20	8	100 / 1000
Small Size				
EP7WS	36	20	8	100 / 1000

Bulk In Inner Box Packaging (in plastic bag) (mm)



	Quantity / Bag (pcs.)	Quantity Inner Box (pcs.)	Quantity Carton (pcs.)	Carton Box Size L x W x H (± 5)
EP7W	10	250	1000	520 x 220 x 250
EP8W	10	250	1000	520 x 220 x 250
EP9W	10	250	1000	520 x 220 x 250
Small Size				
EP8WS	10	250	1000	520 x 220 x 250
EP9WS	10	250	1000	520 x 220 x 250
EP10WS	10	250	1000	520 x 220 x 250

How To Order

EP	3W	200R	J	
Common Part	Power Rating	Nominal Resistance	Resistance Tolerance	Packaging
EP	05W = 1/2W 1W = 1W 1WS = 1WS As per Electrical Characteristics chart	10 Ω – 10R 1K Ω – 1K0 (1000 Ω)	F = ±1 G = ±2 J = ±5 K = ±10	- Tape/Box TR - Tape/Reel BB - Bulk/Box

Mouser Electronics

Authorized Distributor

Click to View Pricing, Inventory, Delivery & Lifecycle Information:

TE Connectivity:

[EP1WS10RJ](#) [EP1W10RJ](#) [EP3WS10RJ](#) [EP1WS100RJ](#) [EP1WS510RJ](#) [EP3WS47RJ](#) [EP1WS150RJ](#) [EP5WS100RJ](#)
[EP5W15RJ](#) [EP5WS10RJ](#) [EP3WS100RJ](#) [EP5WS47RJ](#) [EP7WS1K0J](#) [EP5WS470RJ](#) [EP3WS220RJ](#) [EP5WS33RJ](#)
[EP3WS22RJ](#) [EP5WS220RJ](#) [EP3WS33RJ](#) [EP1WS68RJ](#) [EP7W22RJ](#) [EP5W10RJ](#) [EP7WS33RJ](#) [EP1W330RJ](#)
[EP3W150RJ](#) [EP7WS220RJ](#) [EP7WS2K2J](#) [EP7WS150RJ](#) [EP9WS6K8J](#) [EP5W330RJ](#) [EP3W33RJ](#) [EP9W150RJ](#)
[EP5W3K3J](#) [EP1WS47RJ](#) [EP9WS47RJ](#) [EP7W330RJ](#) [EP7WS100RJ](#) [EP9WS68RJ](#) [EP7WS4K7J](#) [EP7W10RJ](#)
[EP5WS680RJ](#) [EP9WS330RJ](#) [EP7W68RJ](#) [EP7W2K2J](#) [EP7WS330RJ](#) [EP5WS1K5J](#) [EP5WS3K3J](#) [EP9WS3K3J](#)
[EP7WS10RJ](#) [EP9W22RJ](#) [EP9WS33RJ](#) [EP1W680RJ](#) [EP9W10KJ](#) [EP7W15RJ](#) [EP7WS22RJ](#) [EP7W470RJ](#)
[EP9WS22RJ](#) [EP7W1K0J](#) [EP9W47RJ](#) [EP9W330RJ](#) [EP1WS15RJ](#) [EP9WS470RJ](#) [EP3WS470RJ](#) [EP7WS680RJ](#)
[EP7W47RJ](#) [EP7WS15RJ](#) [EP7W3K3J](#) [EP7WS470RJ](#) [EP9W220RJ](#) [EP9WS10RJ](#) [EP5W150RJ](#) [EP9W3K3J](#)
[EP5W1K5J](#) [EP7W220RJ](#) [EP7WS3K3J](#) [EP7W1K5J](#) [EP9W100RJ](#) [EP5W4K7J](#) [EP7WS1K5J](#) [EP5W68RJ](#)
[EP1WS330RJ](#) [EP3W15RJ](#) [EP5W680RJ](#) [EP9W1K0J](#) [EP7W680RJ](#) [EP9W15KJ](#) [EP7W4K7J](#) [EP5W33RJ](#)
[EP3WS680RJ](#) [EP9WS4K7J](#) [EP9W10RJ](#) [EP7WS47RJ](#) [EP7W33RJ](#) [EP3WS1K5J](#) [EP7WS68RJ](#) [EP5WS2K2J](#)
[EP9WS150RJ](#) [EP3W68RJ](#) [EP9W15RJ](#) [EP5W20RJ](#)