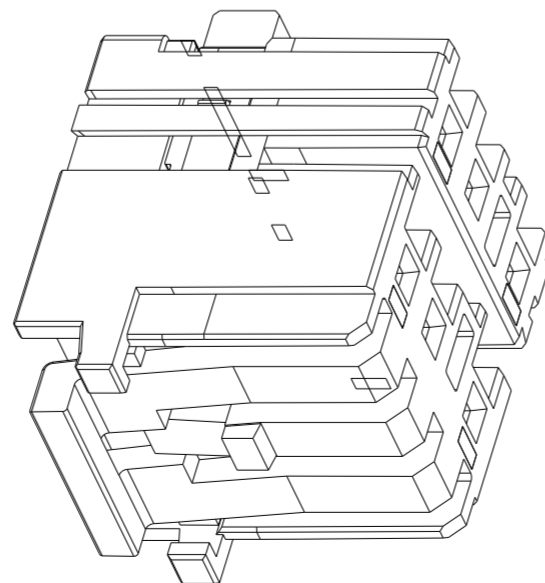
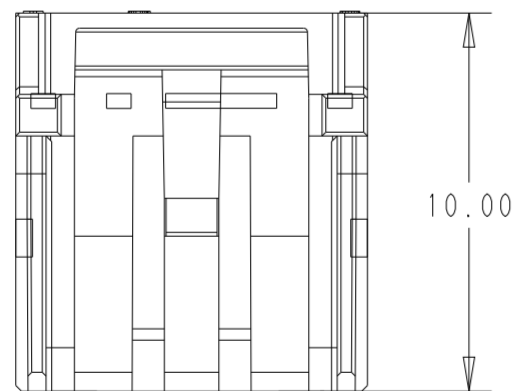
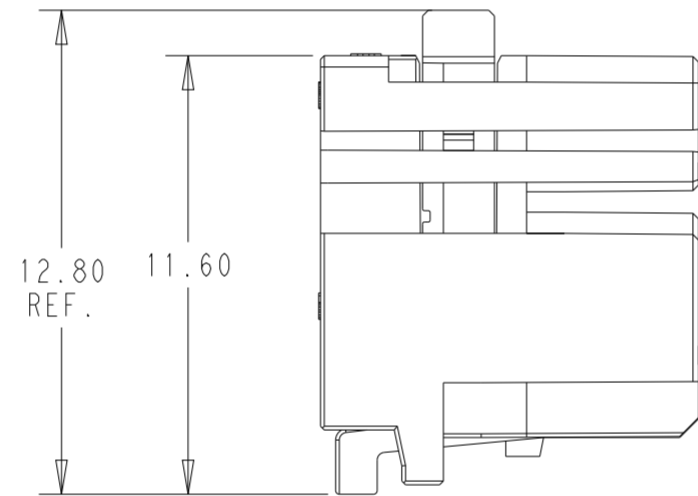
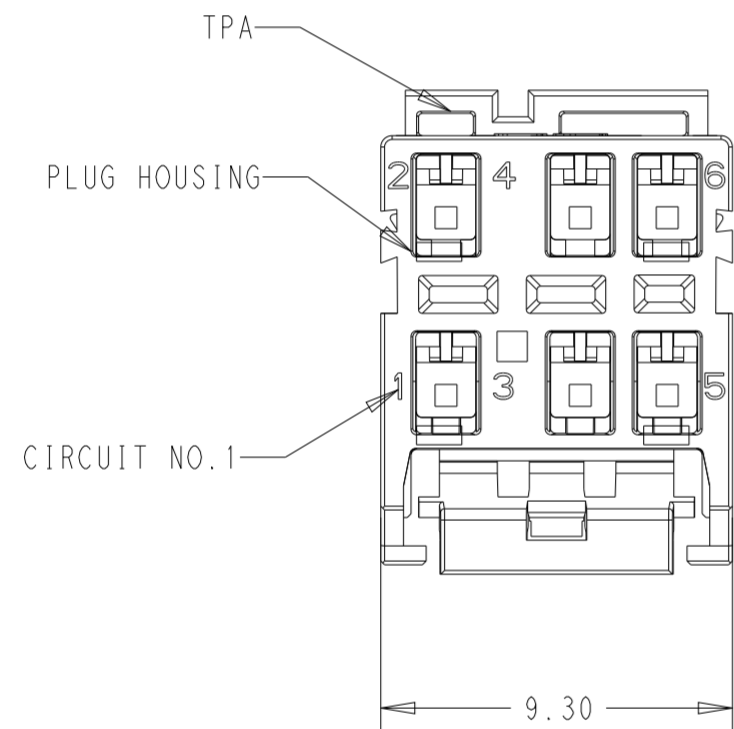
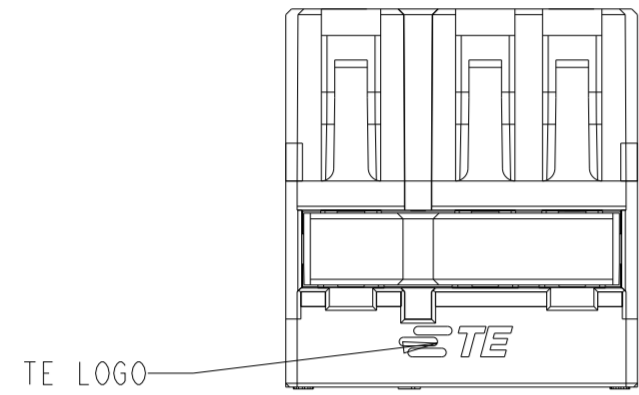


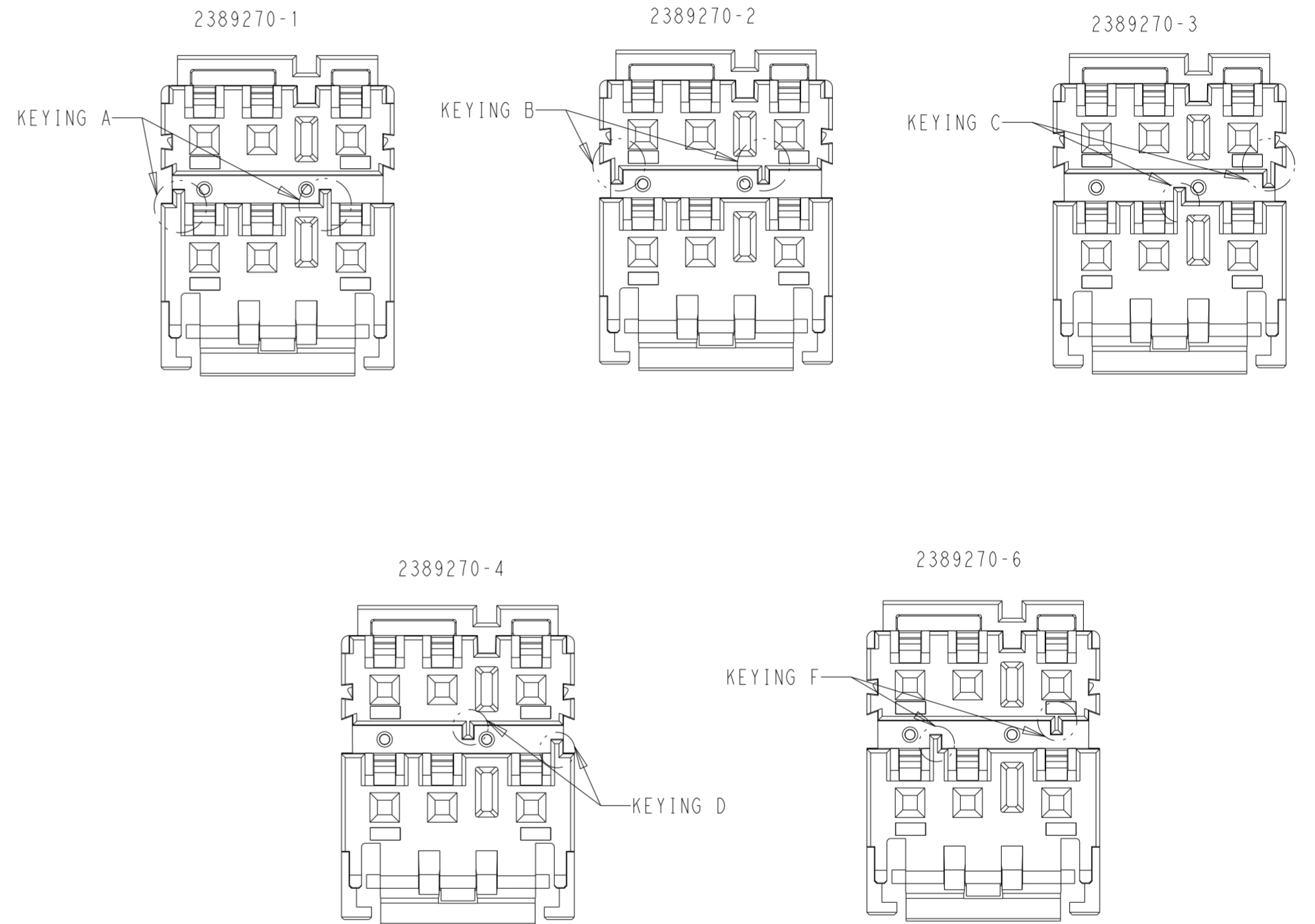
| REVISIONS | | | | | |
|-----------|-----|---------------------------|-----------|-----|------|
| P | LTR | DESCRIPTION | DATE | DWN | APVD |
| 1 | | RELEASE PER ECN-23-240626 | 22NOV2023 | CX | DZ |
| | | | | | |
| | | | | | |

KEYING A SHOWN

- 1 MATERIAL:
PLUG HOUSING: NYLON66
TPA: PBT
- 2. PART COLOR VARIES IN TINT AND MAY APPEAR UNEVENLY MIXED.
- 3. RECOMMENDED MATING PART:
CONTACT: 2401417-1/2415838-1
HEADER: 2374433/2374434/2374437.
- 4. PACKAGING: LOOSE PIECE.
- 5. PER IEC 60335-1 SECT. 30, GWEPT 750C, NO FLAME or Te-Ti LESS THAN 2S.
- 6 PRELIMINARY PART - NOT RELEASED FOR PRODUCTION.
THIS PRODUCT HAS NOT COMPLETED QUALIFICATION TESTING.



DIFFERENT KEYINGS SHOWN



THIS PRINT IS
PRELIMINARY
UNQUALIFIED PRODUCT
CONTACT PRODUCT ENGINEERING
BEFORE USING THIS PRINT

| | | | |
|--------|---------|-------------|---|
| F | GREEN | 2389270-6 | 6 |
| D | BLUE | 2389270-4 | 6 |
| C | RED | 2389270-3 | 6 |
| B | BLACK | 2389270-2 | 6 |
| A | NATURAL | 2389270-1 | 6 |
| KEYING | COLOR | PART NUMBER | |

| | | | | |
|--|--|--------------------------------|---|-------------------------|
| THIS DRAWING IS A CONTROLLED DOCUMENT. | | DWN C. XU 20MAY2022 | TE Connectivity | |
| DIMENSIONS: mm | | CHK D. ZHANG 20MAY2022 | | |
| TOLERANCES UNLESS OTHERWISE SPECIFIED: | | APVD D. ZHANG 20MAY2022 | NAME PLUG ASSEMBLY, MULTILOAD GI 6 POSITION | |
| 0 PLC ± | | PRODUCT SPEC 108-106638 | SIZE A2 | |
| 1 PLC ± | | APPLICATION SPEC 114-106638 | CAGE CODE 00779 | DRAWING NO C-2389270 |
| 2 PLC ±0.2 | | WEIGHT - | RESTRICTED TO - | |
| 3 PLC ± | | CUSTOMER DRAWING | SCALE 5:1 | SHEET 1 OF 1 |
| 4 PLC ± | | | | REV A |
| ANGLES ± | | | | |
| FINISH NA | | | | |

Mouser Electronics

Authorized Distributor

Click to View Pricing, Inventory, Delivery & Lifecycle Information:

[TE Connectivity:](#)

[2389270-2](#)