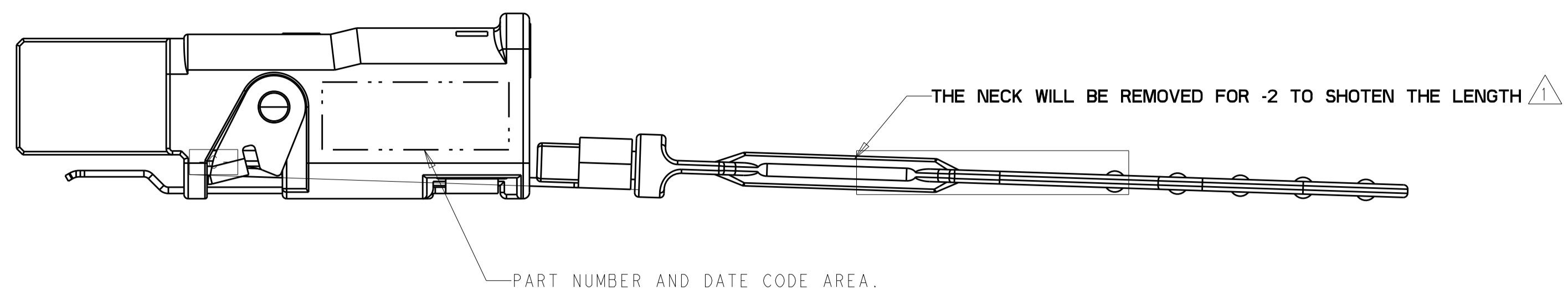
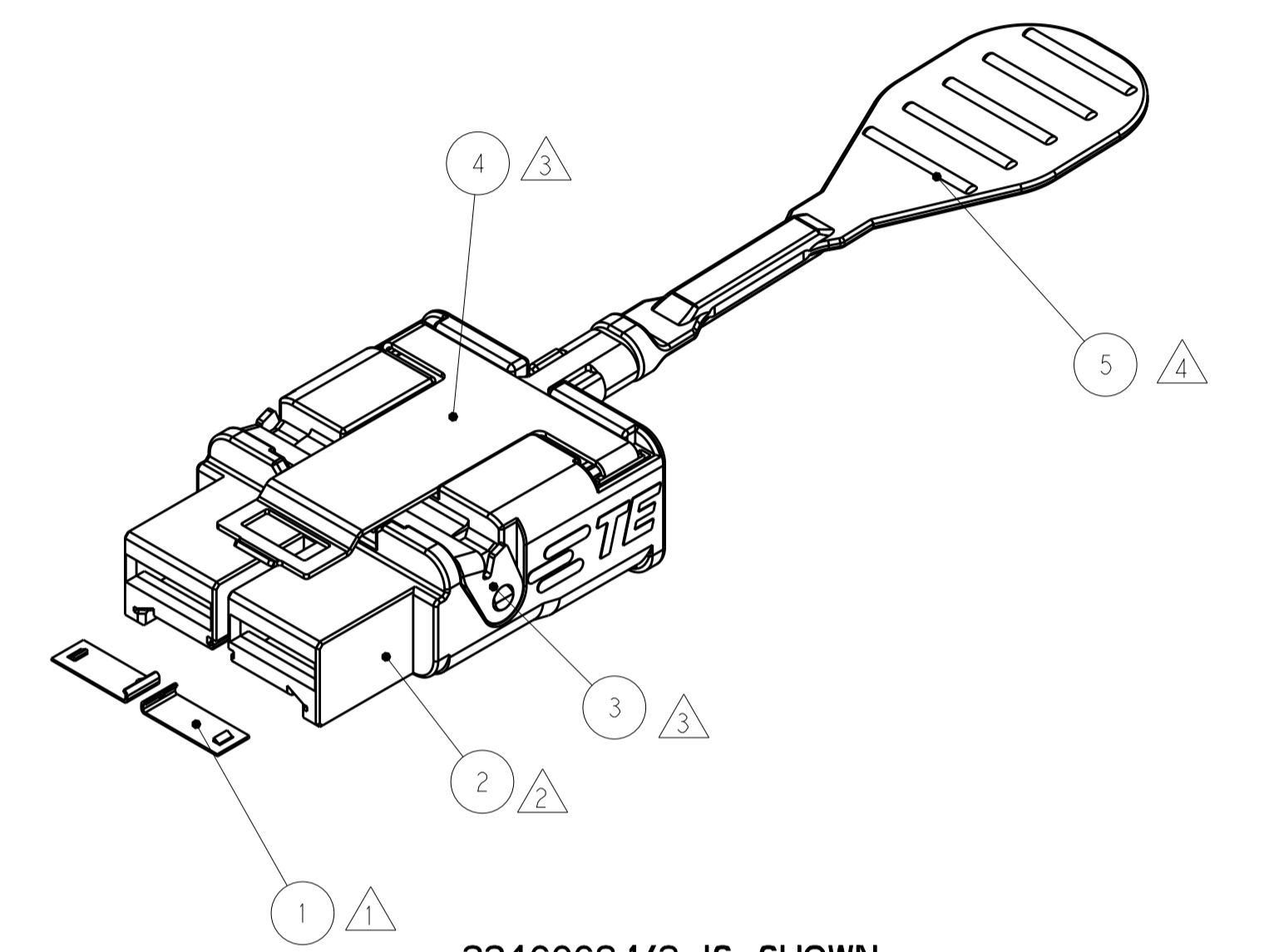
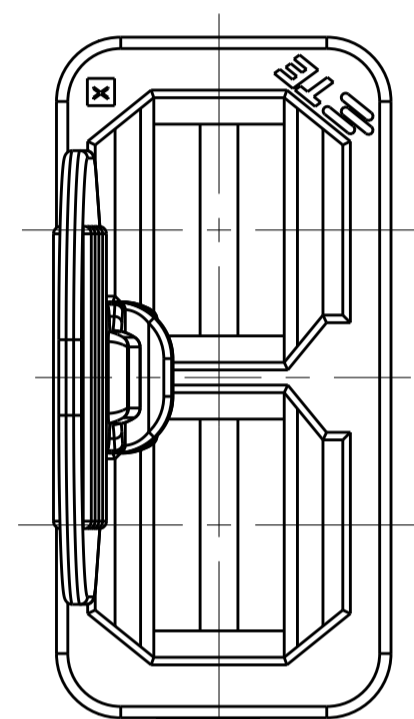
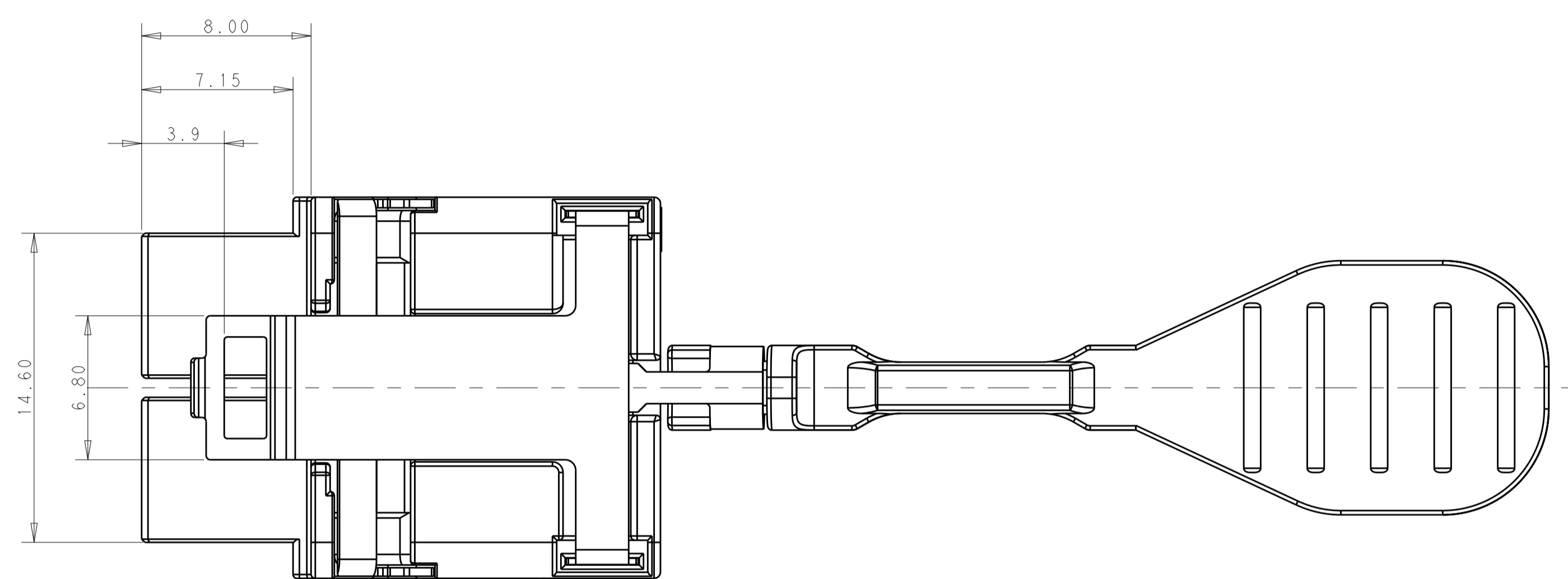
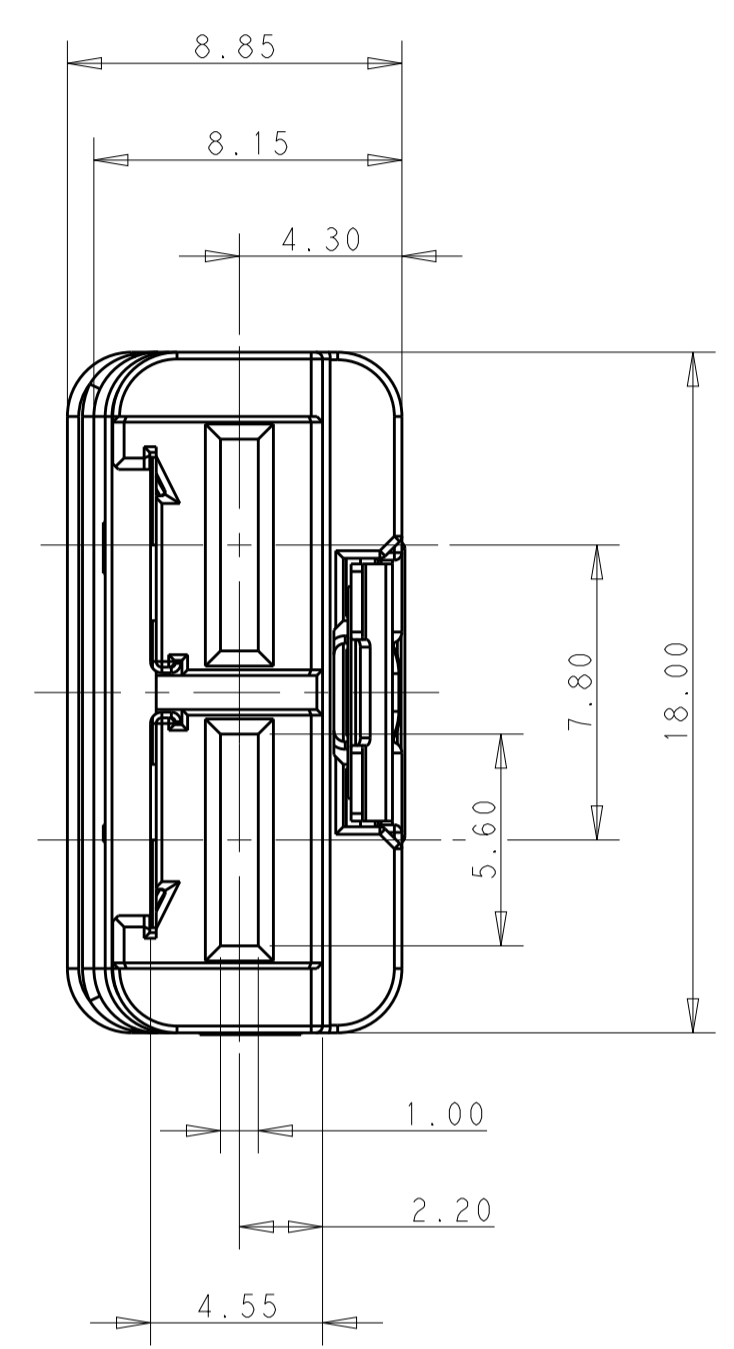


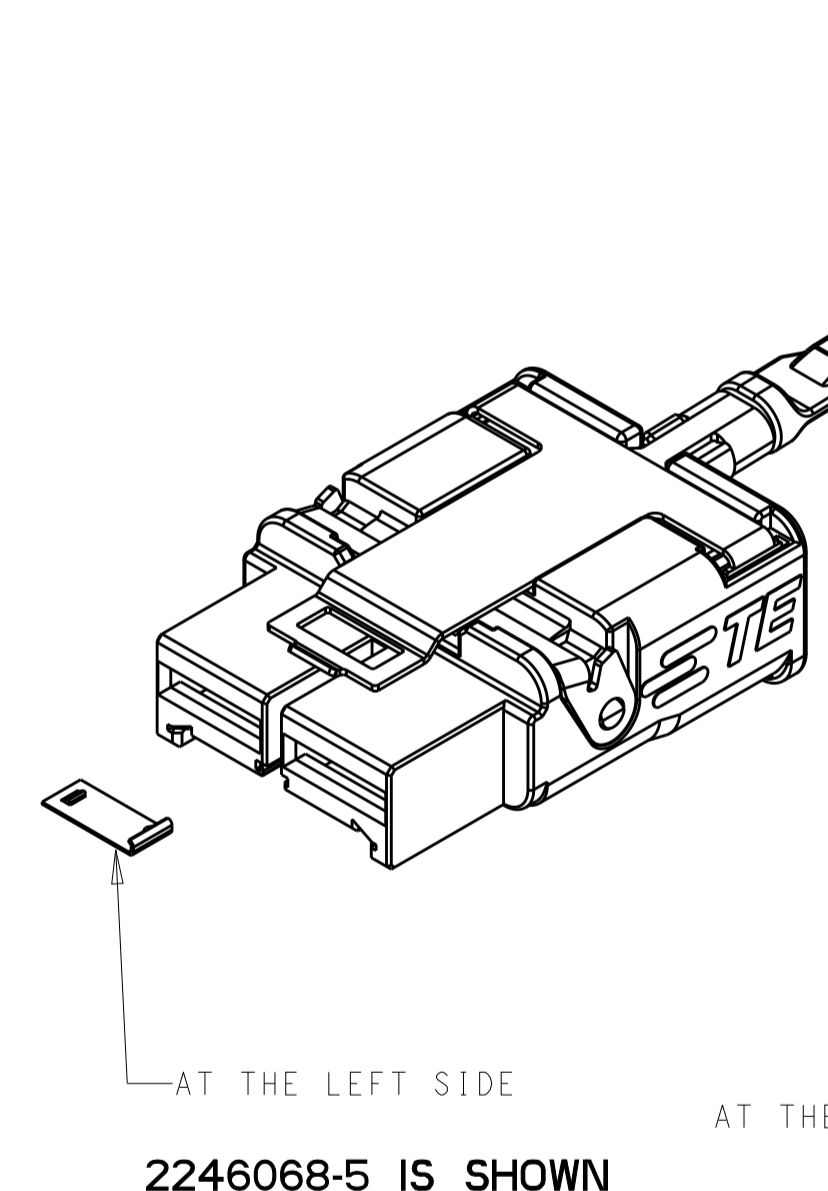
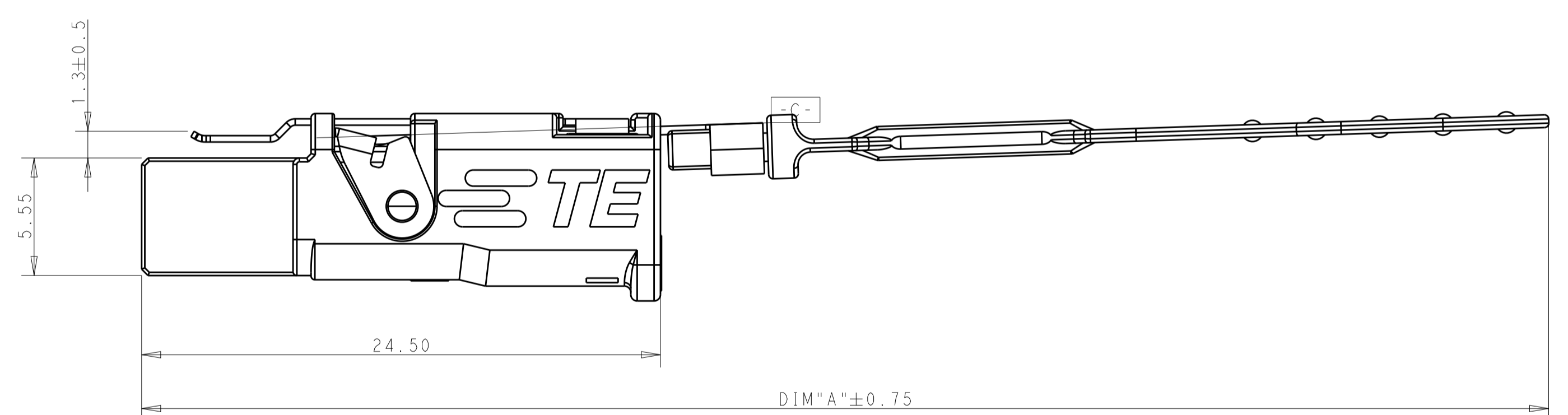
REVISIONS				
P	LTN	DESCRIPTION	DATE	DWN APVD
C1	ADD	-9	29SEP2019	OL SZ



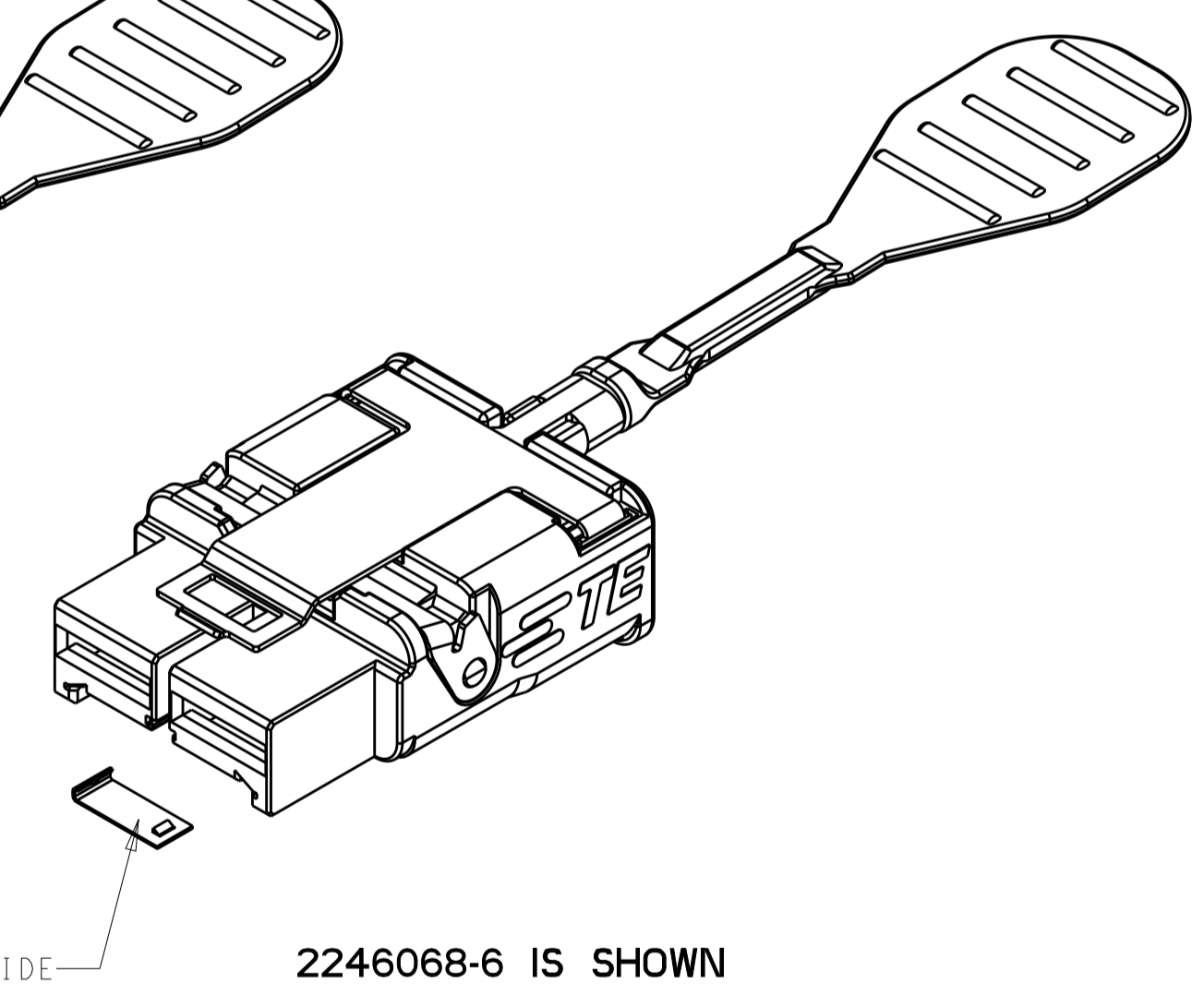
- NOTES:
 USE FOR (SILVER PLATED) STANDARD POWER TIMER CONTACTS
 FOR CONTACTS PARTNUMBERS SEE DWG. C-1355048, ALLOWED MAX WIRE SIZE 6MM²
- ① DETECT CONTACTS: COPPER ALLOY; 0.80UM GOLD (LOCALLY) OVER 1.2UM NICKEL (ALL OVER)
 - ② HOUSING: LCP; BLACK
 - ③ MATERIAL: STAINLESS STEEL FOR LATCH AND ACTUATOR
 - ④ MATIRIAL: POLYMIDE 66 BULE FOR PULL TAB



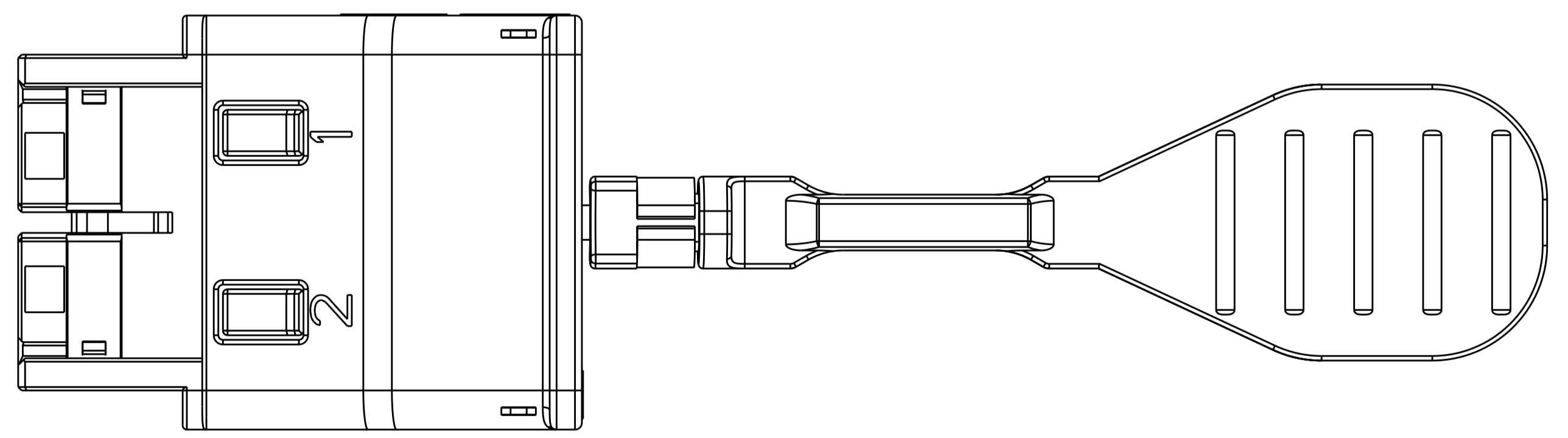
2246068-1/3 IS SHOWN



2246068-5 IS SHOWN



2246068-6 IS SHOWN



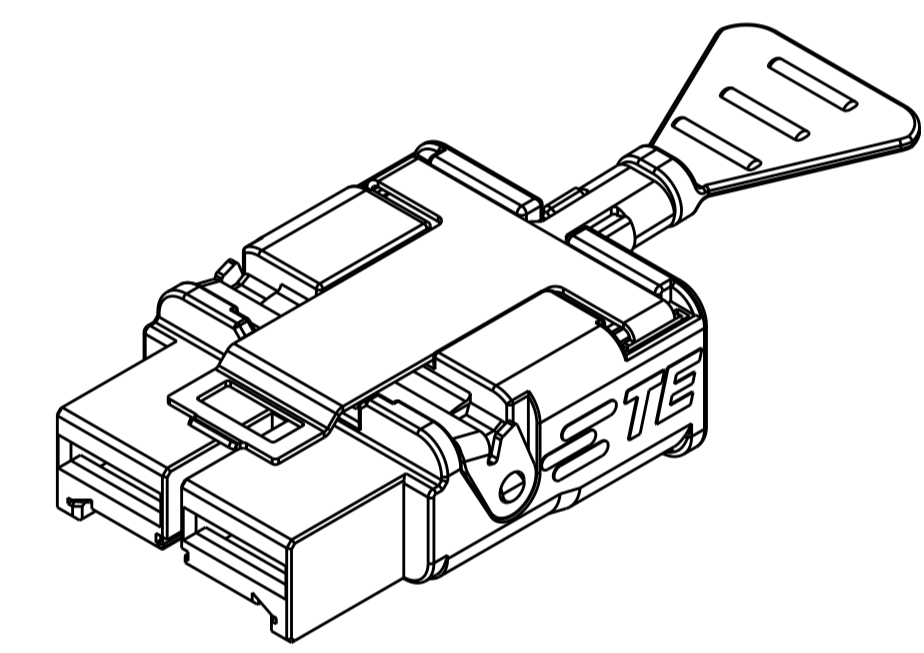
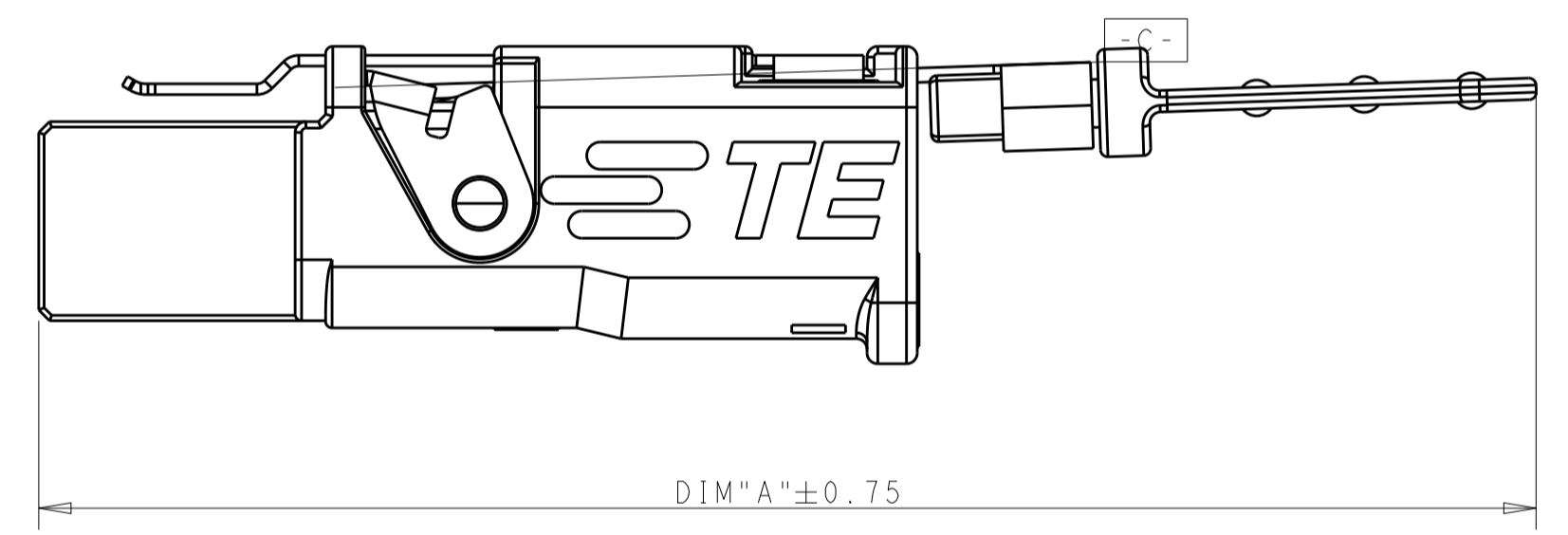
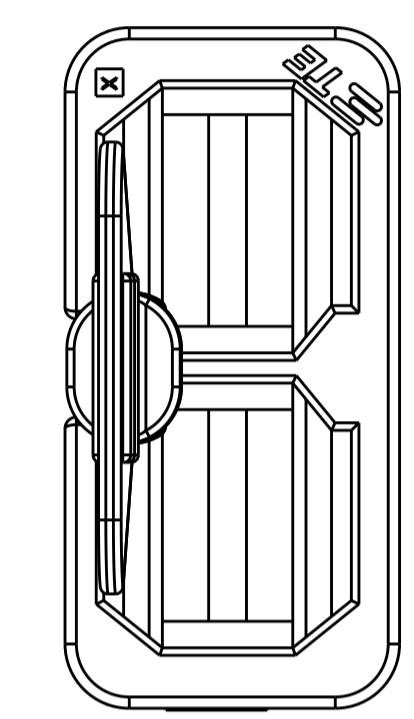
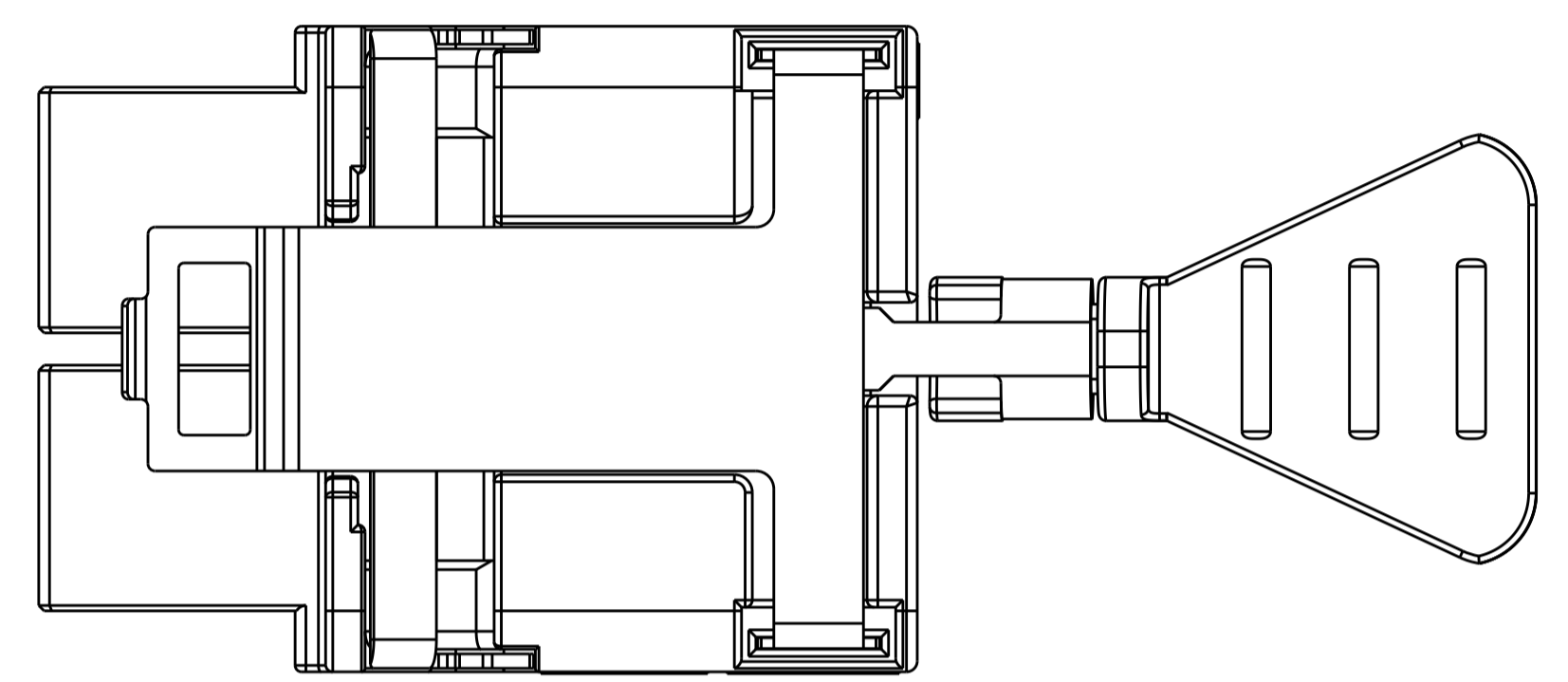
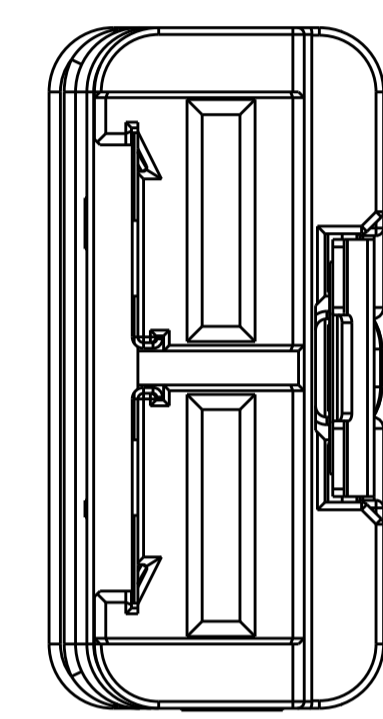
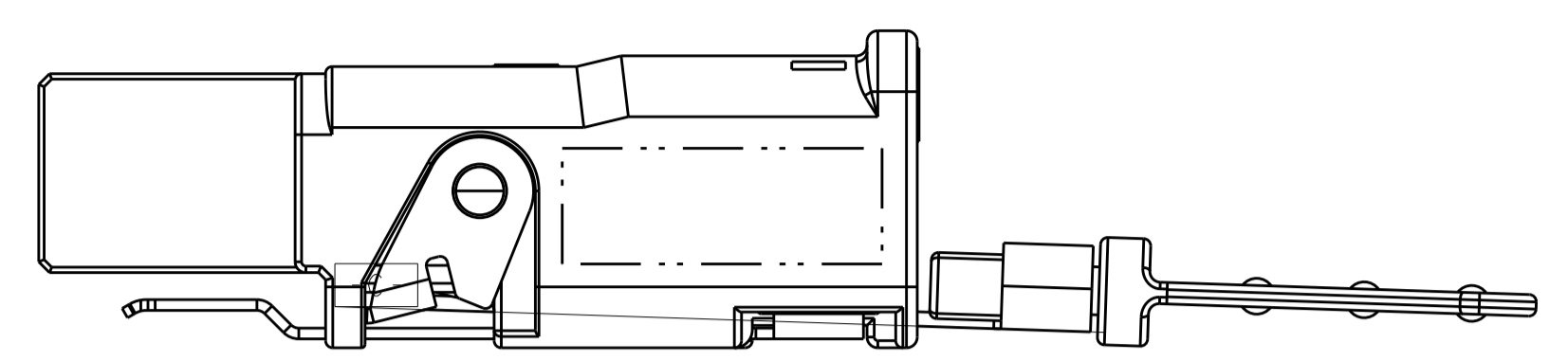
NO	NO	NO	-	YES	2246068-9
YES	YES	YES	41.77	YES	2246068-8
YES	YES	YES	41.77	YES	2246068-7
YES	YES	YES	66.44	YES	2246068-6
YES	YES	YES	66.44	YES	2246068-5
YES	YES	YES	41.77	NO	2246068-4
YES	YES	YES	66.44	NO	2246068-3
YES	YES	YES	41.77	YES	2246068-2
YES	YES	YES	66.44	YES	2246068-1

THIS DRAWING IS A CONTROLLED DOCUMENT. DIMENSIONS: mm. TOLERANCES UNLESS OTHERWISE SPECIFIED: 0 PLC ±0.5, 1 PLC ±0.20, 2 PLC ±0.10, 3 PLC ±0.05, 4 PLC ±. ANGLES ±7°. MATERIAL: SEE TABLE. FINISH: -.

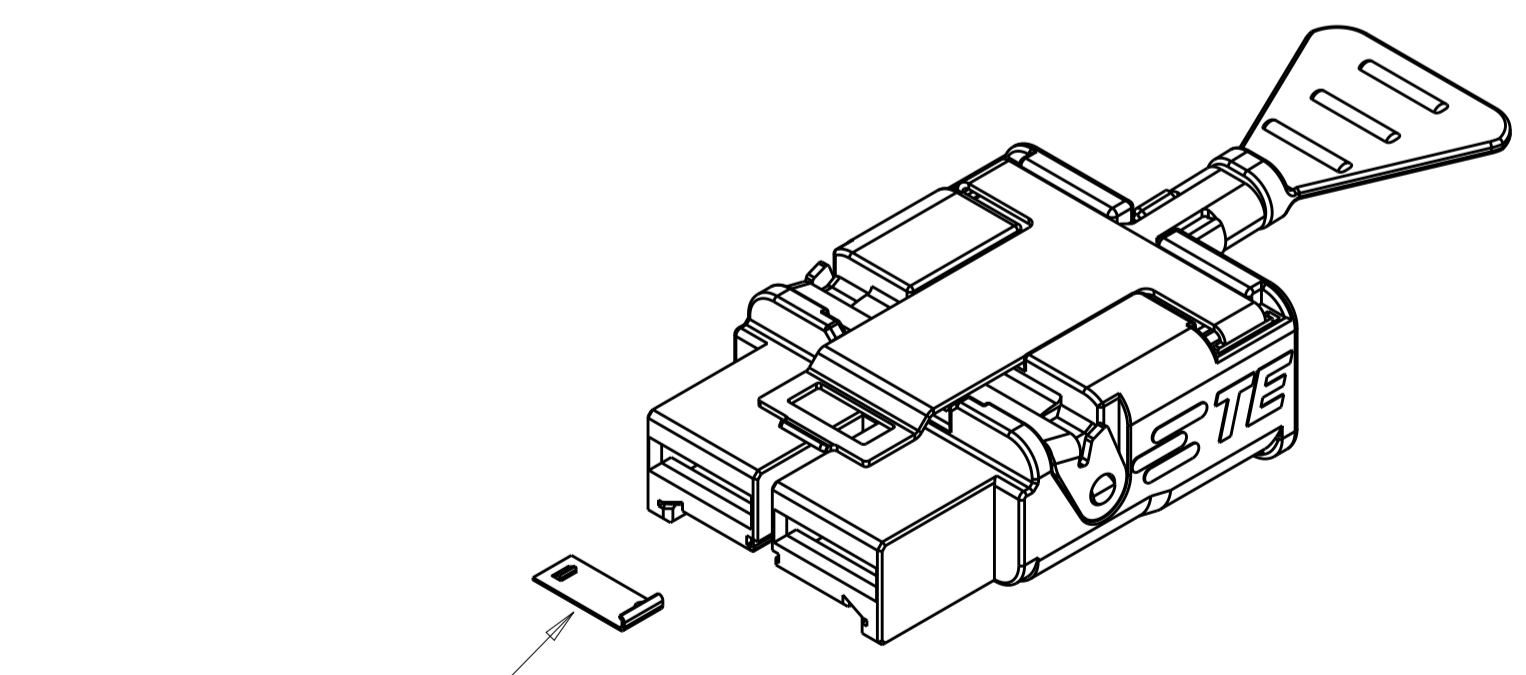
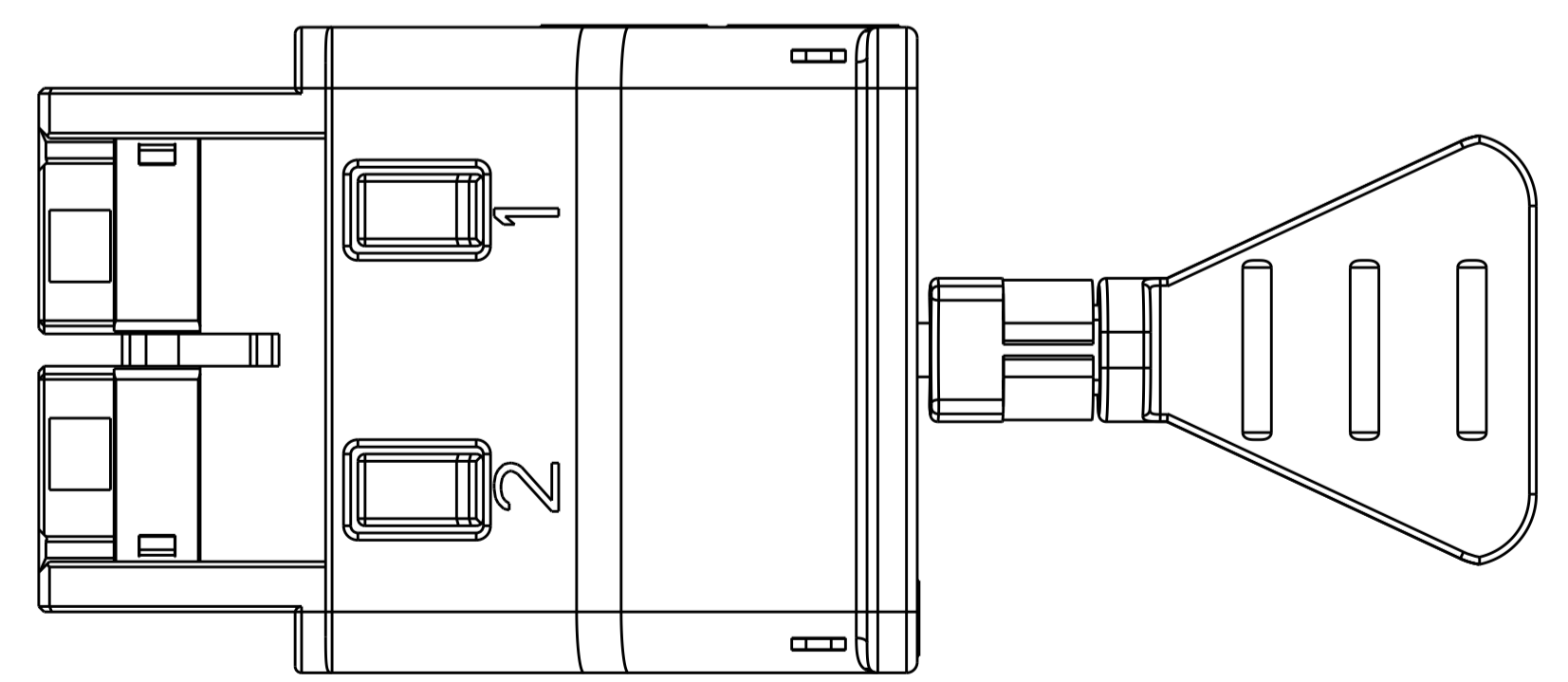
DWN: S. ZHANG, 18MAR2014. CHK: -. APVD: S. ZHAO, 18MAR2014. PRODUCT SPEC: 108-19346. APPLICATION SPEC: 114-19110. WEIGHT: -. Customer Drawing.

STE TE Connectivity. NAME: ELCON mini, 2-POSITION CABLE CONNECTOR, PULL-TAB, 6MM² MAX WIRE. SIZE: A1. CAGE CODE: -. DRAWING NO: C=2246068. RESTRICTED TO: -. SCALE: 5:1. SHEET 1 OF 2. REV: C1.

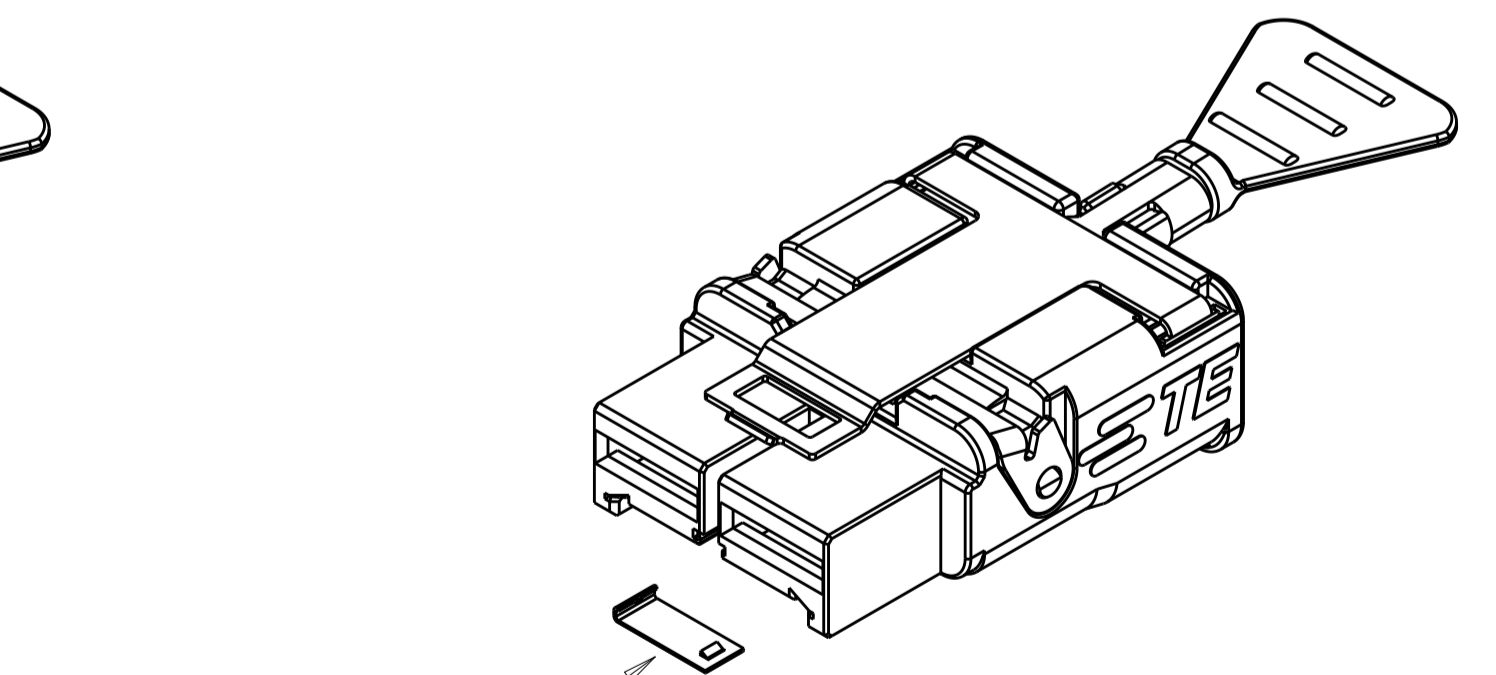
REVISIONS				
P.	LTM	DESCRIPTION	DATE	APVD
-	-	SEE SHEET 1	-	-



2246068-2/4 IS SHOWN



2246068-7 IS SHOWN



2246068-8 IS SHOWN

OTHER DIMENSIONS, PLEASE SEE PAGE 1 FOR -1

THIS DRAWING IS A CONTROLLED DOCUMENT.		OWN: S. ZHANG 18MAR2014	TE Connectivity
DIMENSIONS: mm		CHK: -	
TOLERANCES UNLESS OTHERWISE SPECIFIED: 0 PLC ±0.5 1 PLC ±0.20 2 PLC ±0.10 3 PLC ±0.05 4 PLC ± ANGLES ±°		APVD: S. ZHAO 18MAR2014	NAME: ELCON mini, 2-POSITION CABLE CONNECTOR, PULL-TAB, 6MM2 MAX WIRE
MATERIAL: SEE TABLE		PRODUCT SPEC: 108-19346	APPLICATION SPEC: 114-19110
		RESTRICTED TO: A1	SCALE: 5:1 SHEET 2 OF 2 REV: C1
		Customer Drawing	

Mouser Electronics

Authorized Distributor

Click to View Pricing, Inventory, Delivery & Lifecycle Information:

[TE Connectivity:](#)

[2246068-2](#)