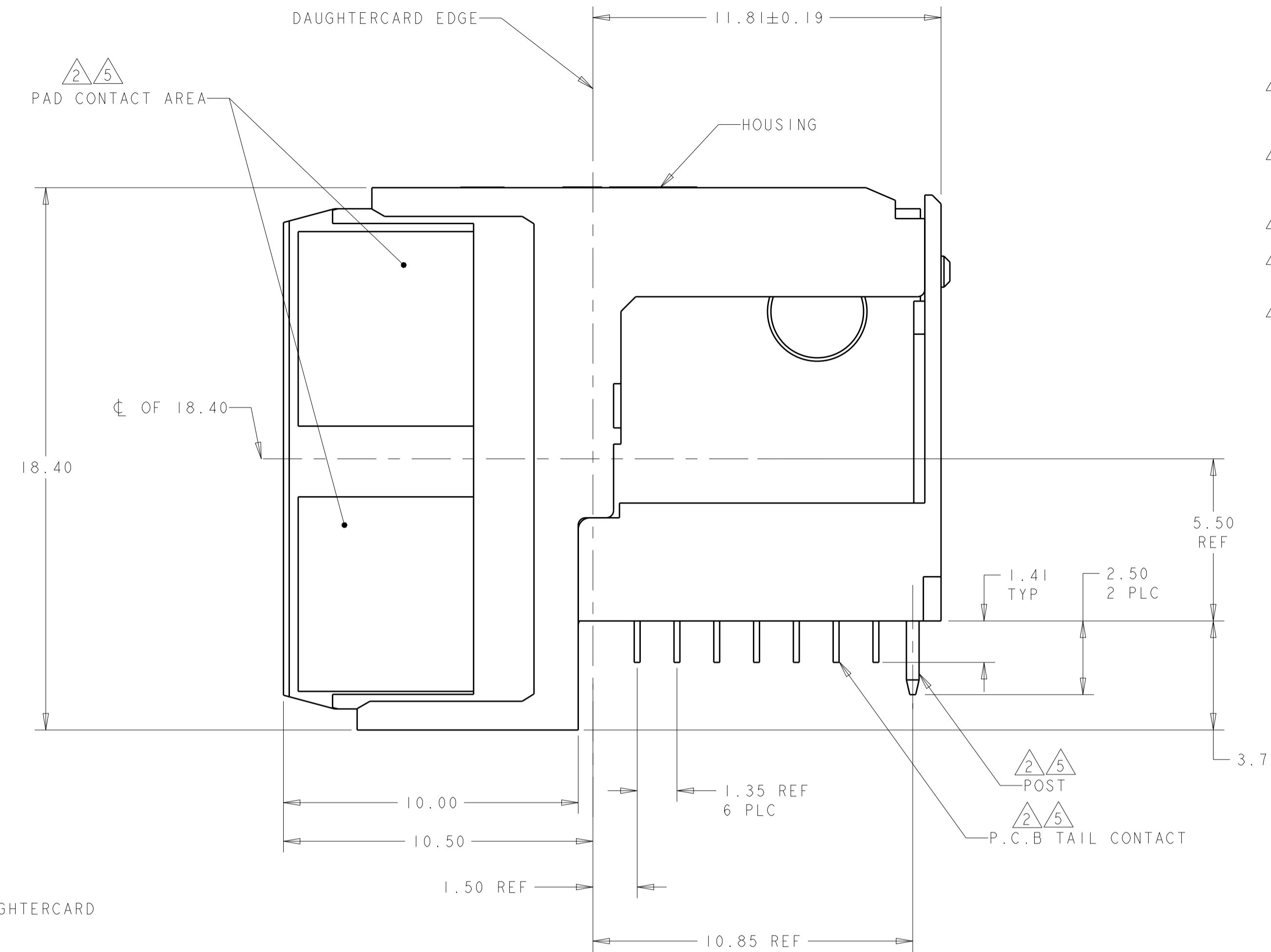
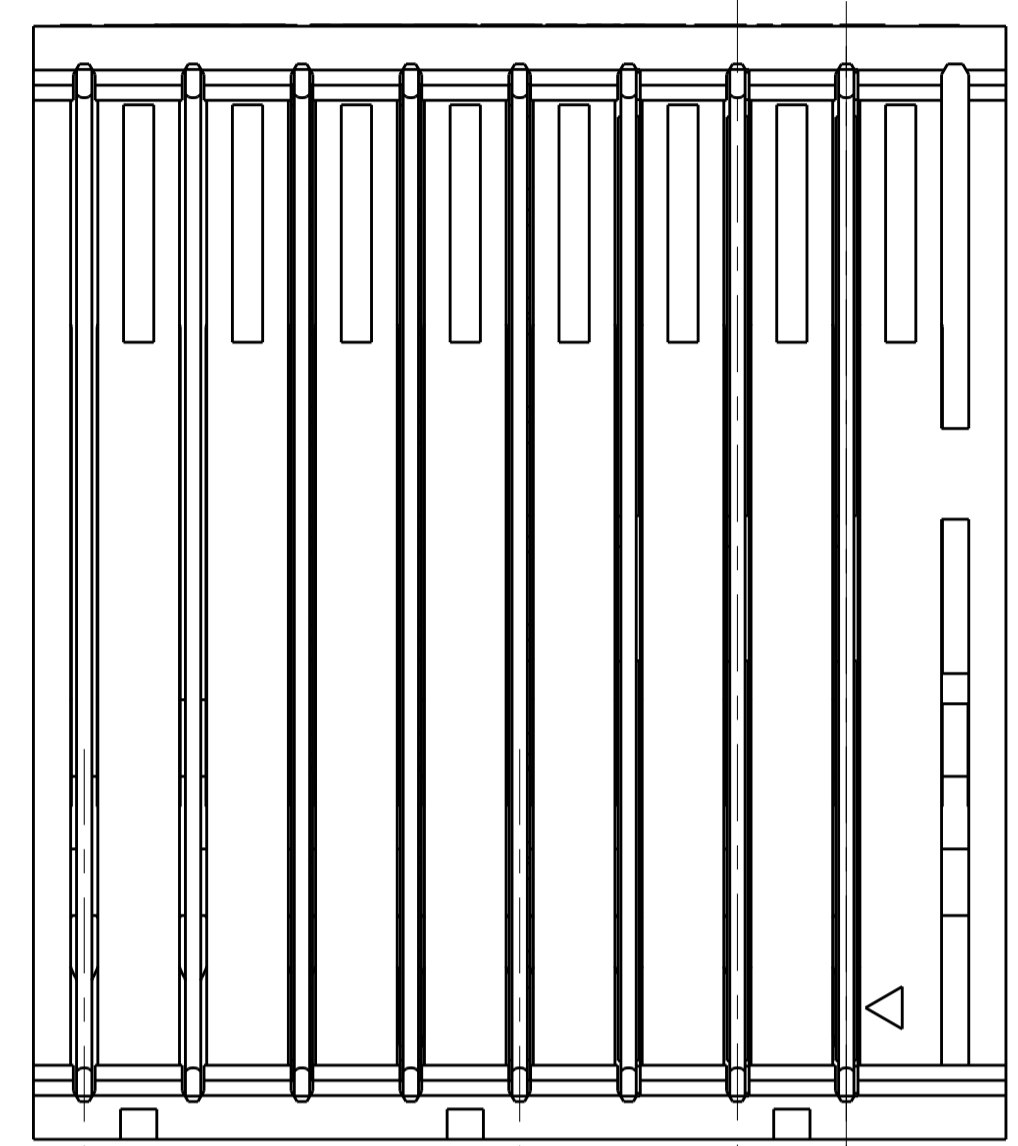


REVISIONS				
P.	LTN.	DESCRIPTION	DATE	APVD.
B		REV PER ECO 17-012001	8-17-17	CT DH

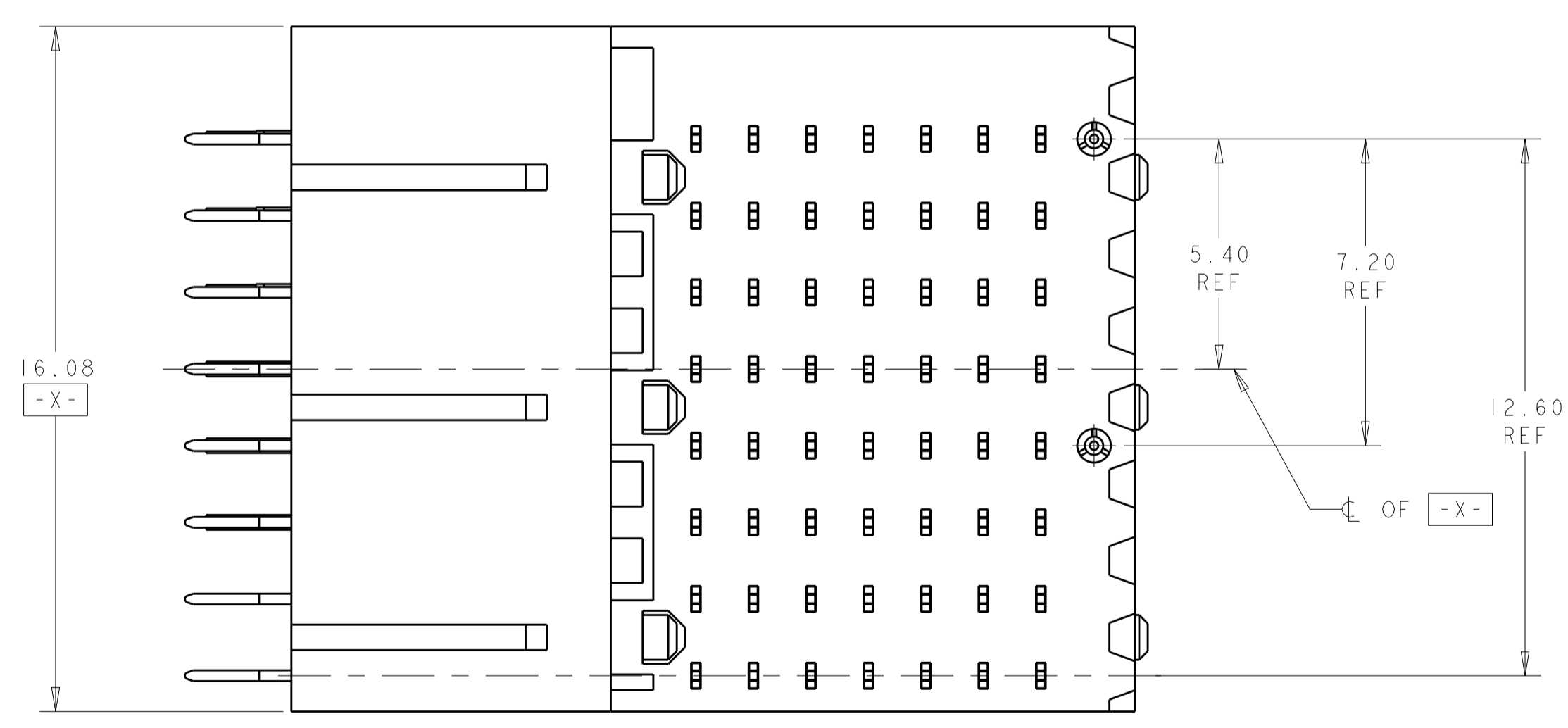
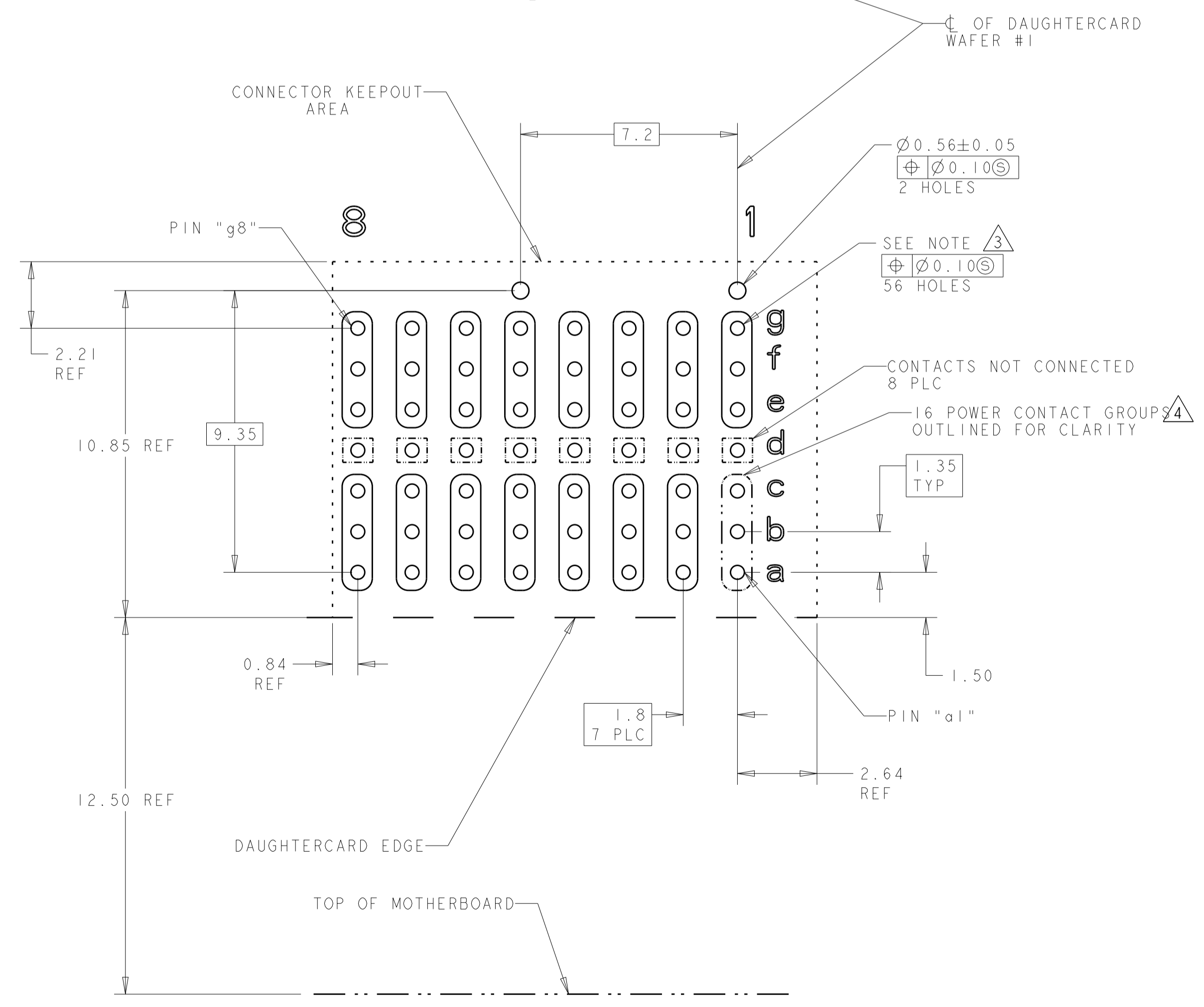


- 1 HOUSING: LCP, UL94V0, COLOR: BLACK. CONTACT: PHOSPHOR BRONZE. POST: BRASS WIRE
- 2 CONTACT: 1.27µm MIN GOLD IN PAD CONTACT AREA. 1.27µm MIN TIN-LEAD ON PCB TAIL OVER 1.27µm MIN. NICKEL OVER ALL. POST: 1.27µm MIN NICKEL PLATED.
- 3 PLATED THROUGH HOLE PER 114-13056, FIGURE 4
- 4 SEE TABLE 1 FOR INTERCONNECTIONS TO BACKPLANE CONNECTOR.
- 5 CONTACT: 1.27µm MIN GOLD IN PAD CONTACT AREA. 1.27µm MIN TIN ON PCB TAIL OVER 1.27µm MIN. NICKEL OVER ALL. POST: 1.27µm MIN NICKEL PLATED.

TABLE 1
INTERCONNECTIONS WITH BACKPLANE CONNECTOR 2102735-1

TYPICAL INTERCONNECTIONS FOR EACH COLUMN (WAFER): 1, 2, 3, 4, 5, 6, 7 & 8		
CONTACT USAGE	DAUGHTERCARD CONNECTOR PIN	BACKPLANE CONNECTOR PIN
POWER	ax, bx, cx	ax, bx, cx, dx
POWER	ex, fx, gx	fx, gx, hx, ix
NOT CONNECTED	dx	ex

NOTE: "x" DESIGNATES THE COLUMN NUMBER

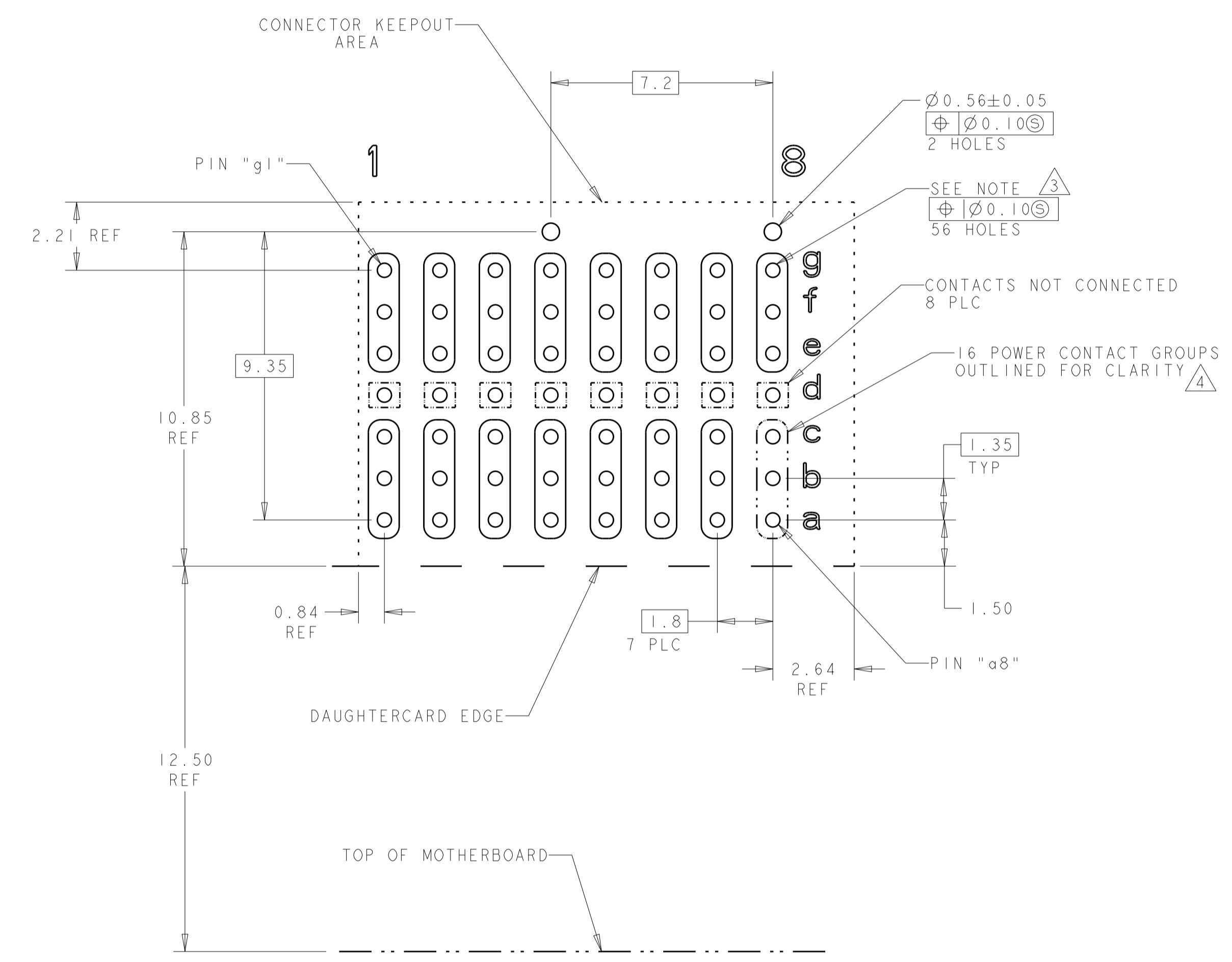


PC BOARD LAYOUT (CONNECTOR SIDE)
SCALE 8:1

5	2289944-2
2	2289944-1
PLATING	PART NO

THIS DRAWING IS A CONTROLLED DOCUMENT.		OWN: C.C. THOMAS 1-15-15	TE Connectivity
DIMENSIONS: mm		CHK: D. HOANG 1-15-15	
TOLERANCES UNLESS OTHERWISE SPECIFIED:		APVD: D. HOANG 1-15-15	NAME: RIGHT-ANGLE PLUG ASSEMBLY, 7 ROW HALF LEFT END, 20.3mm, MULTIGIG RT 2-R, DAUGHTERCARD CONNECTOR, VITA 46 PRODUCT SPEC: 108-2072 APPLICATION SPEC: SIZE: CAGE CODE DRAWING NO. RESTRICTED TO 114-13056 WEIGHT: 5.41g A100779C=2289944 CUSTOMER DRAWING
MATERIAL:		FINISH: $\pm 1^{\circ}$	
SEE TABLE		SCALE: 8:1 SHEET 1 OF 2 REV B	

REVISIONS				
P.	LTN	DESCRIPTION	DATE	APVD
-	-	SEE SHEET 1	-	-



P.C. BOARD LAYOUT
 FOR TRANSITION MODULE
 (CONNECTOR SIDE)
 SCALE 8:1

THIS DRAWING IS A CONTROLLED DOCUMENT.		DWN C.C. THOMAS 1-15-15	TE Connectivity
DIMENSIONS:		CHK D. HOANG 1-15-15	
mm	TOLERANCES UNLESS OTHERWISE SPECIFIED:	APVD D. HOANG 1-15-15	NAME RIGHT-ANGLE PLUG ASSEMBLY, 7 ROW HALF LEFT END, 20.3mm, MULTIGIG RT 2-R, DAUGHTERCARD CONNECTOR, VITA 46
	0 PLC ± 1 PLC ±0.5 2 PLC ±0.13 3 PLC ± 4 PLC ± ANGLES ±1°	PRODUCT SPEC 108-2072 APPLICATION SPEC 114-13056	
MATERIAL	FINISH	WEIGHT 5.41g	SIZE A100779C=2289944
SEE TABLE		CUSTOMER DRAWING	RESTRICTED TO SCALE 8:1 SHEET 2 OF 2 REV B

Mouser Electronics

Authorized Distributor

Click to View Pricing, Inventory, Delivery & Lifecycle Information:

[TE Connectivity:](#)

[2289944-1](#)