



HW

TE Internal #: F38411-000

HW, Standard Labels, Industrial Label, Die-Cut Label Style, High Tack Permanent Acrylic Adhesive, UL Listed Yes, Label Width 61 mm [2.4 in]

[View on TE.com >](#)

Identification & Labeling > Labels > Standard Labels > HW HIGH TACK WHITE POLYESTER LABELS



Label Type: **Industrial Label**

Label Style: **Die-Cut**

Label Adhesive Type: **High Tack Permanent Acrylic Adhesive**

UL Listed: **Yes**

Label Width: **61 mm [2.4 in]**

[All HW HIGH TACK WHITE POLYESTER LABELS \(43\)](#)

Features

Product Type Features

Label Type	Industrial Label
------------	------------------

Body Features

Label Color	White
-------------	-------

Usage Conditions

Operating Temperature Range	-40 – 150 °C[-40 – 302 °F]
-----------------------------	----------------------------

Printer/Label Features

Number of Labels Across	1
Recommended Printer Ribbon	See Printer Ribbon Matrix
Label Style	Die-Cut
Label Width	61 mm[2.4 in]
Label Height	41.9 mm[1.65 in]
Label Material	Polyester
Label Thickness	97 Micron

Industry Standards

UL Listed	Yes
-----------	-----



Packaging Features

Packaging Quantity	2500
Packaging Method	Roll

Other

Label Adhesive Type	High Tack Permanent Acrylic Adhesive
---------------------	--------------------------------------

Product Compliance

[For compliance documentation, visit the product page on TE.com>](#)

EU RoHS Directive 2011/65/EU	Compliant
EU ELV Directive 2000/53/EC	Compliant
China RoHS 2 Directive MIIT Order No 32, 2016	No Restricted Materials Above Threshold
EU REACH Regulation (EC) No. 1907/2006	Current ECHA Candidate List: JAN 2021 (211) Candidate List Declared Against: JAN 2021 (211) Does not contain REACH SVHC
Halogen Content	Not Yet Reviewed for halogen content
Solder Process Capability	Not applicable for solder process capability

Product Compliance Disclaimer

This information is provided based on reasonable inquiry of our suppliers and represents our current actual knowledge based on the information they provided. This information is subject to change. The part numbers that TE has identified as EU RoHS compliant have a maximum concentration of 0.1% by weight in homogenous materials for lead, hexavalent chromium, mercury, PBB, PBDE, DBP, BBP, DEHP, DIBP, and 0.01% for cadmium, or qualify for an exemption to these limits as defined in the Annexes of Directive 2011/65/EU (RoHS2). Finished electrical and electronic equipment products will be CE marked as required by Directive 2011/65/EU. Components may not be CE marked. Additionally, the part numbers that TE has identified as EU ELV compliant have a maximum concentration of 0.1% by weight in homogenous materials for lead, hexavalent chromium, and mercury, and 0.01% for cadmium, or qualify for an exemption to these limits as defined in the Annexes of Directive 2000/53/EC (ELV). Regarding the REACH Regulation, the information TE provides on SVHC in articles for this part number is based on the latest European Chemicals Agency (ECHA) 'Guidance on requirements for substances in articles' posted at this URL: <https://echa.europa.eu/guidance-documents/guidance-on-reach>

Compatible Parts

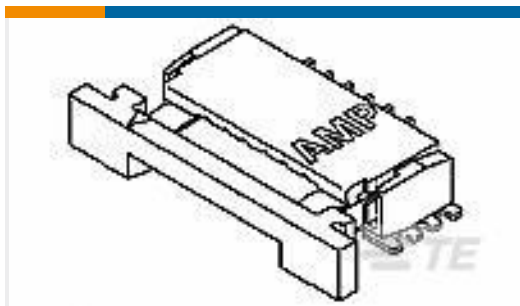
 <p>TE Part # 1-2186500-1 T3212-PRINTER</p>	 <p>TE Part # 1-2186502-1 T3224-PRINTER</p>	 <p>TE Part # 1-2186501-1 T3212-SWARE-PRINTER</p>	 <p>TE Part # 1-2186503-1 T3224-SWARE-PRINTER</p>
--	--	--	--

Also in the Series | HW



Standard Labels(43)

Customers Also Bought



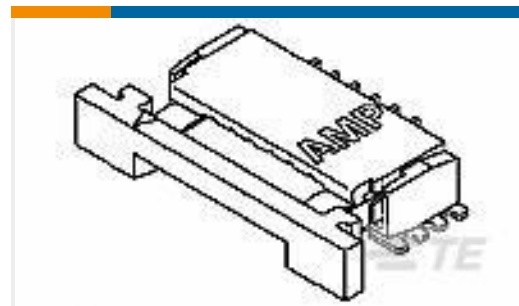
TE Part #1-84952-6
1MM FPC HORZ.BTTM CONT.ASS.16P



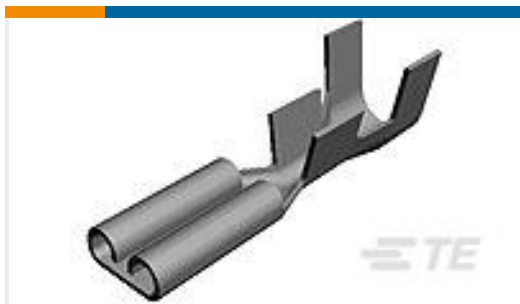
TE Part #843031-000
101A011-3-0



TE Part #5787745-1
USB A R/A STAK ASSY THRU HOLE



TE Part #2-84952-4
1MM FPC HORZ.BOTTOM CONT. ASSY 24P



TE Part #160533-2
110 FASTON,REC.,20-17 AWG,TPBR



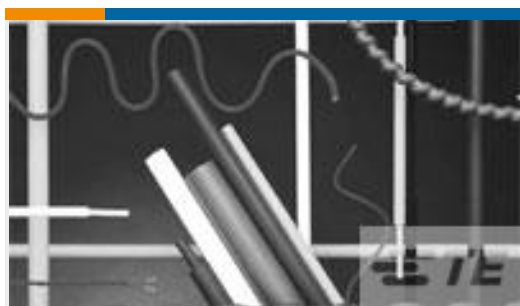
TE Part #5677714002
RNF-3000-6/2-4-SP



TE Part #5677712003
RNF-3000-6/2-4-STK



TE Part #E57414-000
HW-080080-10-9



TE Part #5069872029
CGPT-19/9.5-0-STK

Documents

Product Drawings

[HW-610419-2.5-9](#)

English

Datasheets & Catalog Pages

[IDENTIFICATION SELECTION GUIDE](#)

English

HW-610419-2.5-9

HW, Standard Labels, Industrial Label, Die-Cut Label Style, High Tack Permanent Acrylic Adhesive, UL Listed Yes, Label Width 61 mm [2.4 in]



HW High Tack White Polyester labels

English

Mouser Electronics

Authorized Distributor

Click to View Pricing, Inventory, Delivery & Lifecycle Information:

[TE Connectivity:](#)

[HW-610419-2.5-9](#)