

101A052-100-0 ✓ ACTIVE

Raychem

TE Internal #: 919641-000

Wire End Caps, Single Wall, 100, None, 100, Adhesive Purchased

Separately, -30 – 105 °C [-22 – 221 °F]

[View on TE.com >](#)



Wire Protection & Management > Heat Shrink Molded Shapes > Wire End Caps



Wall Type: **Single**

Material Code: **100**

Sealant Type: **None**

Material Systems Code: **100**

Adhesive Requirement: **Adhesive Purchased Separately**

Features

Product Type Features

| | |
|-----------|--------|
| Size Code | 52 |
| Wall Type | Single |

Configuration Features

| | |
|----------------------|-------------------------------|
| Adhesive Requirement | Adhesive Purchased Separately |
|----------------------|-------------------------------|

Body Features

| | |
|-----------------------|------------------------|
| Color | Black |
| Material | Crosslinked Polyolefin |
| Shrink Ratio | 2:1 |
| Pliancy | Flexible |
| Material Code | 100 |
| Sealant Type | None |
| Material Systems Code | 100 |

Dimensions

| | |
|------------------------------------|-----------------|
| Length | 61 mm[2.4 in] |
| Recovered Inside Diameter (Max) | 9.4 mm[.37 in] |
| Recovered Wall Thickness (Nominal) | 2.03 mm[.08 in] |
| Expanded Inside Diameter (Min) | 20.6 mm[.81 in] |
| Wall Thickness | Medium |

Usage Conditions



| | |
|-----------------------------|--------------------------------------------|
| Flammability | Flame-Retardant |
| Resistance Protection | Suitable for occasional exposure to fluids |
| Resistance Properties | Immersion Protection |
| Operating Temperature Range | -30 – 105 °C[-22 – 221 °F] |

Industry Standards

| | |
|----------------------|----|
| Government Qualified | No |
|----------------------|----|

Other

| | |
|------------------------|------|
| Molded Part Shape Code | 101A |
|------------------------|------|

Product Compliance

[For compliance documentation, visit the product page on TE.com>](#)

| | |
|-----------------------------------------------|-------------------------------------------------------------------------------------------------------------------------------|
| EU RoHS Directive 2011/65/EU | Compliant |
| EU ELV Directive 2000/53/EC | Compliant |
| China RoHS 2 Directive MIIT Order No 32, 2016 | No Restricted Materials Above Threshold |
| EU REACH Regulation (EC) No. 1907/2006 | Current ECHA Candidate List: JAN 2022 (223) Candidate List Declared Against: JAN 2022 (223) Does not contain REACH SVHC |
| Halogen Content | Low Halogen - Br, Cl, F, I < 900 ppm per homogenous material. Also BFR/CFR/PVC Free |
| Solder Process Capability | Not applicable for solder process capability |

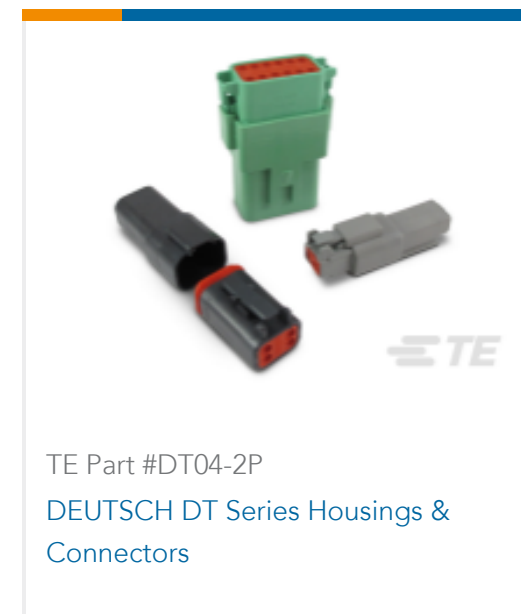
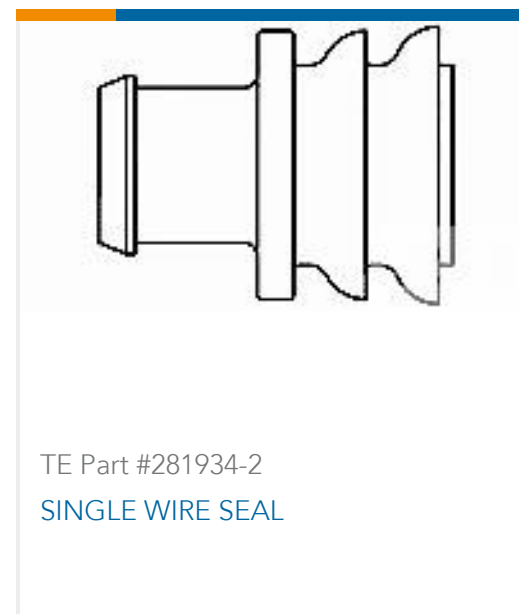
Product Compliance Disclaimer

This information is provided based on reasonable inquiry of our suppliers and represents our current actual knowledge based on the information they provided. This information is subject to change. The part numbers that TE has identified as EU RoHS compliant have a maximum concentration of 0.1% by weight in homogenous materials for lead, hexavalent chromium, mercury, PBB, PBDE, DBP, BBP, DEHP, DIBP, and 0.01% for cadmium, or qualify for an exemption to these limits as defined in the Annexes of Directive 2011/65/EU (RoHS2). Finished electrical and electronic equipment products will be CE marked as required by Directive 2011/65/EU. Components may not be CE marked. Additionally, the part numbers that TE has identified as EU ELV compliant have a maximum concentration of 0.1% by weight in homogenous materials for lead, hexavalent chromium, and mercury, and 0.01% for cadmium, or qualify for an exemption to these limits as defined in the Annexes of Directive 2000/53/EC (ELV). Regarding the REACH Regulation, the information TE provides on SVHC in articles for this part number is based on the latest European Chemicals Agency (ECHA) 'Guidance on requirements for substances in articles' posted at this URL: <https://echa.europa.eu/guidance-documents/guidance-on-reach>

Compatible Parts



Customers Also Bought



Documents

Product Drawings

101A052-100-0

English

Datasheets & Catalog Pages

1654025_Sec4_-100

English

1654025_Sec4_101A011to094

English

Raychem Molded Parts Visual Guide

English

Product Environmental Compliance

Safety Datasheet

English

Safety Datasheet

Safety Datasheet



[Safety Datasheet](#)

English

[Safety Datasheet](#)

French

[Safety Datasheet](#)

German

[Safety Datasheet](#)

[Safety Datasheet](#)

[Safety Datasheet](#)

[Safety Datasheet](#)

[Safety Datasheet](#)

English

Mouser Electronics

Authorized Distributor

Click to View Pricing, Inventory, Delivery & Lifecycle Information:

[TE Connectivity:](#)

[101A052-100-0](#)