



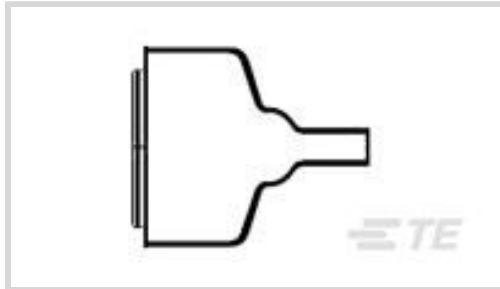
Raychem

TE Internal #: 806692-000

D-Sub Connector Boots, Straight Boot Angle, Adhesive Purchased Separately, 0 Position, 0mm [0in] Centerline, 0A Contact Current Rating (Max)

[View on TE.com >](#)

Connectors > D-Shaped Connectors > D-Sub Accessories > D-Sub Connector Boots



Boot Angle: **Straight**

Adhesive Pre-Coating: **Without**

Adhesive Description: **Adhesive Purchased Separately**

Number of Positions: **0**

Centerline (Pitch): **0 mm [ 0 in ]**

### Features

#### Product Type Features

Product Type	Molded Boot
Molded Part Type	D Subminiature Boot
Adhesive Description	Adhesive Purchased Separately

#### Configuration Features

Number of Positions	0
---------------------	---

#### Body Features

Material Systems Code	25
Material	Fluid Resistant Modified Elastomer
Material Code	25
Boot Angle	Straight
Adhesive Pre-Coating	Without

#### Contact Features

Contact Current Rating (Max)	0 A
------------------------------	-----

#### Housing Features

Centerline (Pitch)	0 mm[0 in]
--------------------	------------

#### Dimensions

Connector Length	28 mm
Connector Width	10.7 mm[.421 in]



### Usage Conditions

Operating Temperature Range	-75 – 150 °C[-103 – 302 °F]
-----------------------------	-----------------------------

### Other

Adhesive Code	S1048, S1206
Comment	Contact Raychem for additional adhesive and/or cut off boot length information
Adhesive Options	S1048 Separate Adhesive, S1125 Separate Adhesive

### Product Compliance

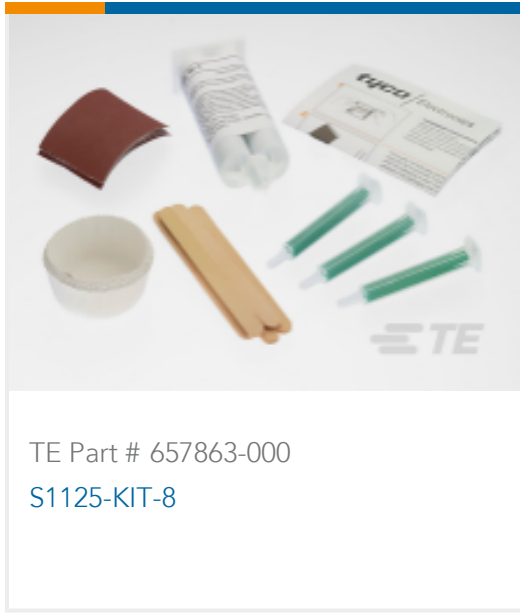
[For compliance documentation, visit the product page on TE.com>](#)

EU RoHS Directive 2011/65/EU	Compliant
EU ELV Directive 2000/53/EC	Compliant
China RoHS 2 Directive MIIT Order No 32, 2016	No Restricted Materials Above Threshold
EU REACH Regulation (EC) No. 1907/2006	Current ECHA Candidate List: JAN 2021 (211) Candidate List Declared Against: JAN 2021 (211) Does not contain REACH SVHC
Halogen Content	Not Low Halogen - contains Br or Cl > 900 ppm.
Solder Process Capability	Not applicable for solder process capability

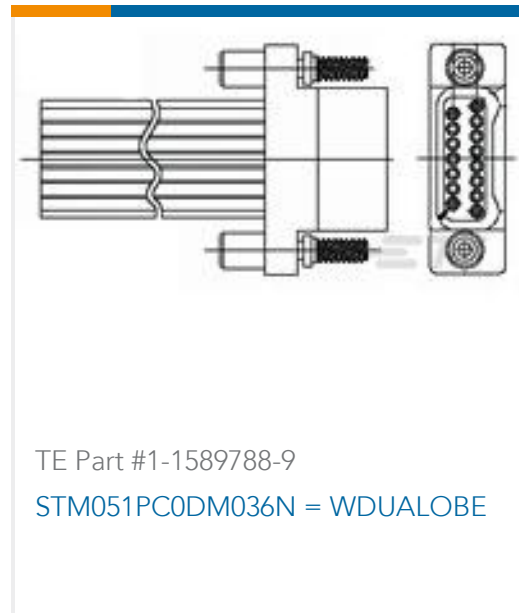
#### Product Compliance Disclaimer

This information is provided based on reasonable inquiry of our suppliers and represents our current actual knowledge based on the information they provided. This information is subject to change. The part numbers that TE has identified as EU RoHS compliant have a maximum concentration of 0.1% by weight in homogenous materials for lead, hexavalent chromium, mercury, PBB, PBDE, DBP, BBP, DEHP, DIBP, and 0.01% for cadmium, or qualify for an exemption to these limits as defined in the Annexes of Directive 2011/65/EU (RoHS2). Finished electrical and electronic equipment products will be CE marked as required by Directive 2011/65/EU. Components may not be CE marked. Additionally, the part numbers that TE has identified as EU ELV compliant have a maximum concentration of 0.1% by weight in homogenous materials for lead, hexavalent chromium, and mercury, and 0.01% for cadmium, or qualify for an exemption to these limits as defined in the Annexes of Directive 2000/53/EC (ELV). Regarding the REACH Regulation, the information TE provides on SVHC in articles for this part number is based on the latest European Chemicals Agency (ECHA) 'Guidance on requirements for substances in articles' posted at this URL: <https://echa.europa.eu/guidance-documents/guidance-on-reach>

### Compatible Parts



## Customers Also Bought



## Documents

### Product Drawings

[214A321-25-0](#)

English

### Datasheets & Catalog Pages

[1654025\\_Sec4\\_-25](#)

English

### Raychem Molded Parts Visual Guide

English



---

**Product Specifications**

[Product Specification](#)

English

---

**Product Environmental Compliance**

[Safety Datasheet](#)

[Safety Datasheet](#)

[Safety Datasheet](#)

English

[Safety Datasheet](#)

French

[Safety Datasheet](#)

German

[Safety Datasheet](#)

[Safety Datasheet](#)

[Safety Datasheet](#)

[Safety Datasheet](#)

# Mouser Electronics

Authorized Distributor

Click to View Pricing, Inventory, Delivery & Lifecycle Information:

[TE Connectivity:](#)

[214A321-25-0](#)