



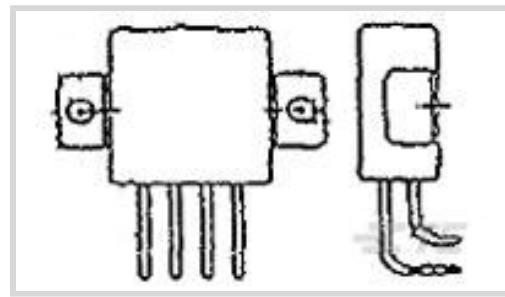
CII

TE Internal #: 5-1617786-8

Mid-Range Relays, Mid-Range Relay Contact Arrangement 2 Form C, DPDT, 2 C/O, Coil Suppression Diode, Tin-Lead Terminal Plating

[View on TE.com >](#)

Relays, Contactors & Switches > Relays > Mil-Aero Relays > Mid-Range Relays



Mid-Range Relay Contact Arrangement: **2 Form C, DPDT, 2 C/O**

Coil Suppression Diode: **With**

Auxiliary Contacts: **Without**

Terminal Plating: **Tin-Lead**

Mid-Range Relay Contact Current Rating: **5 A**

Features

Product Type Features

Enclosure Type	Hermetically Sealed
Terminal Configuration	Solder Pins, 90°
Product Type	Relay
Relay Type	Military/Aerospace Mid-Range

Electrical Characteristics

Vibration	30G's, 70 – 3000Hz
Shock	200G's, 6ms
Coil Suppression Diode	With
Mid-Range Relay Coil Voltage Rating	28 VDC
Mid-Range Relay Coil Resistance	500 Ω
Back EMF Suppression	With
Coil Magnetic System	Polarized, Monostable
Actuating System	DC

Contact Features

Mid-Range Relay Contact Arrangement	2 Form C, DPDT, 2 C/O
Auxiliary Contacts	Without
Terminal Plating	Tin-Lead
Mid-Range Relay Contact Current Rating	5 A
Contact Base Material	Silver Cadmium Oxide

Mechanical Attachment

Mid-Range Relay Mounting Type

Raised Vertical Flange Mount

Usage Conditions

Operating Temperature Range

-70 – 125 °C

Product Compliance

For compliance documentation, visit the product page on [TE.com](https://www.te.com)>

EU RoHS Directive 2011/65/EU

Not Compliant

EU ELV Directive 2000/53/EC

Not Compliant

China RoHS 2 Directive MIIT Order No 32, 2016

Restricted Materials Above Threshold

EU REACH Regulation (EC) No. 1907/2006

Current ECHA Candidate List: JAN 2021 (211)
Candidate List Declared Against: JAN 2021 (211)
Does not contain REACH SVHC

Halogen Content

Low Halogen - Br, Cl, F, I < 900 ppm per homogenous material. Also BFR/CFR/PVC Free

Solder Process Capability

Not lead free process capable

Product Compliance Disclaimer

This information is provided based on reasonable inquiry of our suppliers and represents our current actual knowledge based on the information they provided. This information is subject to change. The part numbers that TE has identified as EU RoHS compliant have a maximum concentration of 0.1% by weight in homogenous materials for lead, hexavalent chromium, mercury, PBB, PBDE, DBP, BBP, DEHP, DIBP, and 0.01% for cadmium, or qualify for an exemption to these limits as defined in the Annexes of Directive 2011/65/EU (RoHS2). Finished electrical and electronic equipment products will be CE marked as required by Directive 2011/65/EU. Components may not be CE marked. Additionally, the part numbers that TE has identified as EU ELV compliant have a maximum concentration of 0.1% by weight in homogenous materials for lead, hexavalent chromium, and mercury, and 0.01% for cadmium, or qualify for an exemption to these limits as defined in the Annexes of Directive 2000/53/EC (ELV). Regarding the REACH Regulation, the information TE provides on SVHC in articles for this part number is based on the latest European Chemicals Agency (ECHA) 'Guidance on requirements for substances in articles' posted at this URL: <https://echa.europa.eu/guidance-documents/guidance-on-reach>

Compatible Parts



TE Part # 8-1617760-3
FCB-405-0622M=M83536/6-022M



TE Part # 8-1617760-2
FCB-405-0622L=M83536/6-022L



TE Part # 1617761-2
FCB-405-BZ3



TE Part # 7-1617760-5
FCB-405-0614M=M83536/6-014M



TE Part # 1-1617787-2
FCB-405-0522L=M83536/5-022L



TE Part # 1617787-5
FCB-405-0515M=M83536/5-015M



TE Part # 2-1617787-5
FCB-405-0530L=M83536/5-030L



TE Part # 3-1617787-5
FCB-405-0603M=M83536/6-003M



TE Part # 4-1617787-5
FCB-405-0608M=M83536/6-008M



TE Part # 5-1617787-5
FCB-405-0615M=M83536/6-015M



TE Part # 6-1617760-5
FCB-405-0519M=M83536/5-019M



TE Part # 6-1617787-5
FCB-405-0627L=M83536/6-027L



TE Part # 7-1617787-3
FCB-405-0631M=M83536/6-031M



TE Part # 8-1617786-3
FCB-405-0504L=M83536/5-004L



TE Part # 9-1617786-0
FCB-405-0507M=M83536/5-007M

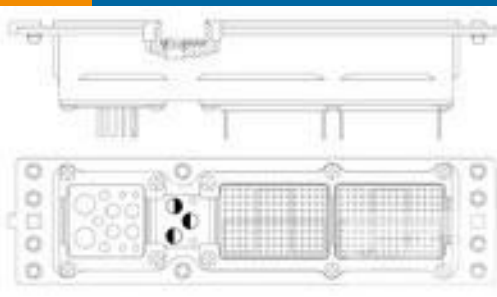


TE Part # 9-1617816-9
FCB-405-AT3

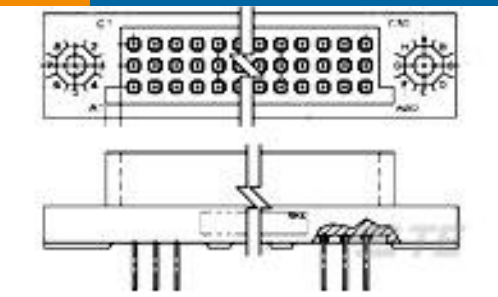
Customers Also Bought



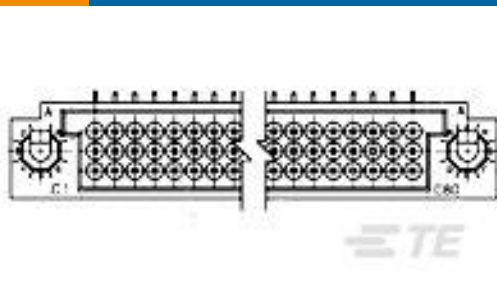
TE Part #212933-2
PLUG ASSY,104 POSN,AMPLIMITE



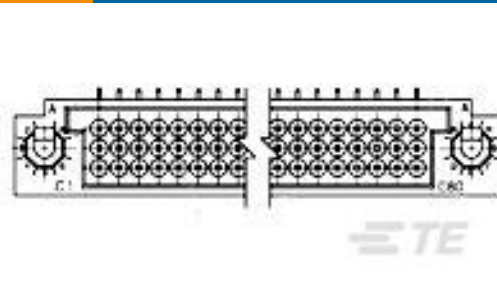
TE Part #1757964-2
A600 SZ 2 RCPT 150/150/13C2



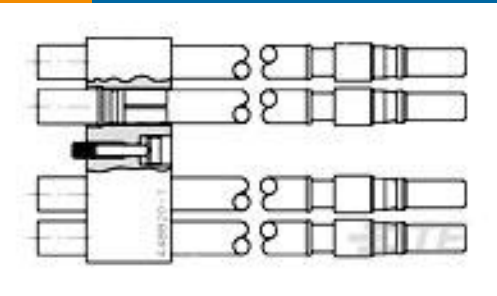
TE Part #446853-5
3ROW BOX REC 165P 100CLSEALED



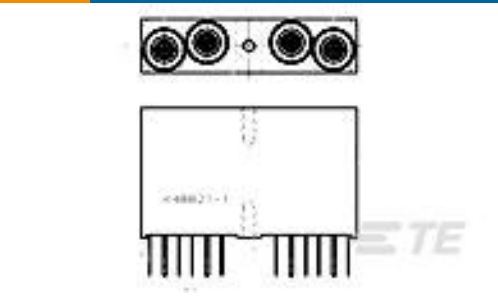
TE Part #448007-2
3 ROW BOX PIN 210 POS R/A



TE Part #448008-1
3 ROW BOX PIN 180 POS R/A S/L



TE Part #448820-1
CABLE ASSY,4 POSN,SZ 8



TE Part #448821-1
KIT,TWINAX BOARD MOUNT 4 POS



TE Part #4-1617352-0
JMGSCD-6MW=M39016/42-050M

Documents



CAD Files

3D PDF

3D

Customer View Model

[ENG_CVM_CVM_5-1617786-8_A.2d_dxf.zip](#)

English

Customer View Model

[ENG_CVM_CVM_5-1617786-8_A.3d_igs.zip](#)

English

Customer View Model

[ENG_CVM_CVM_5-1617786-8_A.3d_stp.zip](#)

English

By downloading the CAD file I accept and agree to the [Terms and Conditions](#) of use.

Datasheets & Catalog Pages

[5-1773450-5_sec5_FCB-205](#)

English

Mouser Electronics

Authorized Distributor

Click to View Pricing, Inventory, Delivery & Lifecycle Information:

[TE Connectivity:](#)

[5-1617786-8](#)