



Raychem

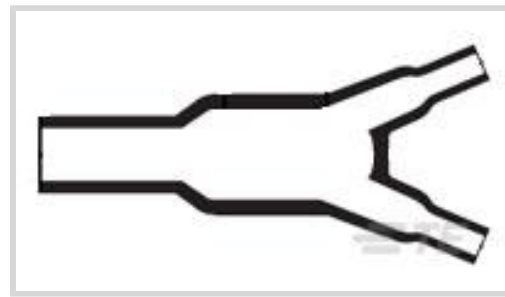
TE Internal #: 256823-000

Cable Transitions & Breakouts, Y Shape, 3 Branches , 100, 100,

Adhesive Precoat Adhesive Requirement

[View on TE.com >](#)

Wire Protection & Management > Heat Shrink Molded Shapes > Cable Transitions & Breakouts



Molded Part Shape: **Y Shape**

Number of Branches & Legs: **3**

Material Code: **100**

Material Systems Code: **100**

Adhesive Requirement: **Adhesive Precoat**

Features

Product Type Features

Molded Part Shape	Y Shape
Size Code	023

Configuration Features

Number of Branches & Legs	3
Adhesive Requirement	Adhesive Precoat

Body Features

Material	Low Fire Hazard Material
Material Code	100
Material Systems Code	100

Dimensions

Inside Diameter Range (Leg 2)	6.1 – 13.2 mm[.24 – .52 in]
Inside Diameter Range (Body)	12.4 – 26.9 mm[.49 – 1.06 in]
Inside Diameter Range (Leg 1)	6.1 – 13.2 mm[.24 – .52 in]

Usage Conditions

Flammability	Low Fire Hazard
Operating Temperature Range	-30 – 105 °C[-22 – 221 °F]

Operation/Application

Emission Features	Halogen-Free
-------------------	--------------



Power Cable Accessory	No
-----------------------	----

Industry Standards

Government Qualified	No
----------------------	----

Other

Adhesive Code	86
---------------	----

Molded Part Shape Code	382A
------------------------	------

Fluid & Chemical Resistance	Long-Term Exposure at High Temperature
-----------------------------	--

Adhesive Options	/86 Precoat
------------------	-------------

Product Compliance

[For compliance documentation, visit the product page on TE.com>](#)

EU RoHS Directive 2011/65/EU	Compliant
------------------------------	-----------

EU ELV Directive 2000/53/EC	Compliant
-----------------------------	-----------

China RoHS 2 Directive MIIT Order No 32, 2016	No Restricted Materials Above Threshold
---	---

EU REACH Regulation (EC) No. 1907/2006	Current ECHA Candidate List: JAN 2021 (211) Candidate List Declared Against: JAN 2021 (211) Does not contain REACH SVHC
--	---

Halogen Content	Low Halogen - Br, Cl, F, I < 900 ppm per homogenous material. Also BFR/CFR/PVC Free
-----------------	---

Solder Process Capability	Not applicable for solder process capability
---------------------------	--

Product Compliance Disclaimer

This information is provided based on reasonable inquiry of our suppliers and represents our current actual knowledge based on the information they provided. This information is subject to change. The part numbers that TE has identified as EU RoHS compliant have a maximum concentration of 0.1% by weight in homogenous materials for lead, hexavalent chromium, mercury, PBB, PBDE, DBP, BBP, DEHP, DIBP, and 0.01% for cadmium, or qualify for an exemption to these limits as defined in the Annexes of Directive 2011/65/EU (RoHS2). Finished electrical and electronic equipment products will be CE marked as required by Directive 2011/65/EU. Components may not be CE marked. Additionally, the part numbers that TE has identified as EU ELV compliant have a maximum concentration of 0.1% by weight in homogenous materials for lead, hexavalent chromium, and mercury, and 0.01% for cadmium, or qualify for an exemption to these limits as defined in the Annexes of Directive 2000/53/EC (ELV). Regarding the REACH Regulation, the information TE provides on SVHC in articles for this part number is based on the latest European Chemicals Agency (ECHA) 'Guidance on requirements for substances in articles' posted at this URL: <https://echa.europa.eu/guidance-documents/guidance-on-reach>

Compatible Parts

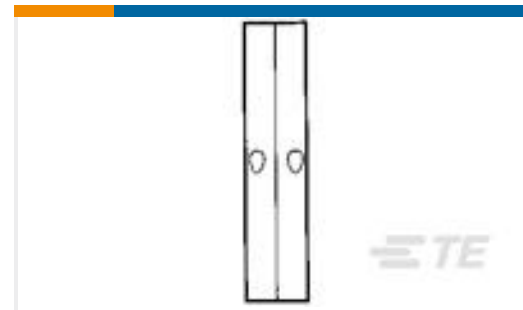


TE Part # CJ2087-000
HL2010E-KIT-120V

Customers Also Bought



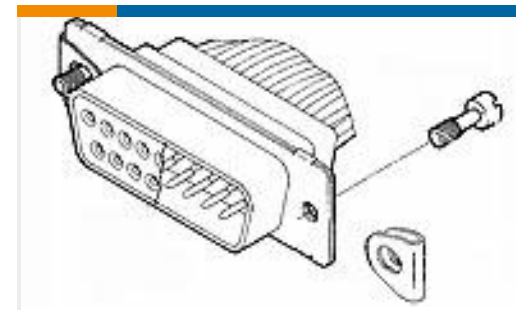
TE Part #2-1617749-2
FCA-210-1024M=M83536/10-024M



TE Part #34323
SPLICE,SOLIS BUTT 4



TE Part #2101551-1
PLUG,40 POS,Sz105,w/SOLDER CUPS,
140 POT



TE Part #211883-5
SCREW RETAINER KIT,AMPLIMITE



TE Part #2109474003
ZHTM: Heat Shrink Tubing, 2:1 Shrink
Ratio



TE Part #YDTS26W17-35PAV001
PLUG ASSY



TE Part #1-2186545-1
WINTOTAL-7-DONGLE

Documents

Product Drawings

[382A023-100/86-0](#)

English

Datasheets & Catalog Pages

[1654025_Sec4_-100](#)

English

Raychem Molded Parts Visual Guide

English

Product Specifications

[Thermofit Adhesive and Sealant](#)

English

[MOULDED COMPONENTS, -100 ZEROHAL](#)

English

Product Environmental Compliance

[Safety Datasheet](#)



English

[Safety Datasheet](#)

[Safety Datasheet](#)

[Safety Datasheet](#)

English

[Safety Datasheet](#)

French

[Safety Datasheet](#)

German

[Safety Datasheet](#)

[Safety Datasheet](#)

[Safety Datasheet](#)

[Safety Datasheet](#)

[Safety Datasheet](#)

English

[Safety Datasheet](#)

[Safety Datasheet](#)

English

[Safety Datasheet](#)

French

[Safety Datasheet](#)

German

[Safety Datasheet](#)

[Safety Datasheet](#)

[Safety Datasheet](#)

[Safety Datasheet](#)

English

Mouser Electronics

Authorized Distributor

Click to View Pricing, Inventory, Delivery & Lifecycle Information:

[TE Connectivity:](#)

[382A023-100/86-0](#)