



Connectors > Connector Backshells & Adapters > Ruggedized Backshells & Adapters



Connector General Specification Number: MIL-DTL-38999 Series III/Class C,F,K,W, MIL-DTL-38999 Series IV/Class C,F,W, MIL-DTL-38999 Series IV/Class C,W, MIL-DTL-38999 Series IV/Class F,W

Backshell Material: Aluminum

Adapter Plating Material: Electroless Nickel (AMS-C-26074)

Cable Diameter Range: 4.8 – 7.6 mm [.188 – .3 in]

Adapter Angle: Straight

Features

Product Type Features

Termination Device Included	TR06AI
Pluggable I/O Accessory Type	Tinel-Lock Adapter
Adapter Angle	Straight
Termination Device Type	Side-Entry Tinel-Lock Ring, Tinel-Lock Adapter, Tinel-Lock Ring
Connector Shell Size	17, E

Body Features

Color	Bright
Backshell Material	Aluminum
Adapter Plating Material	Electroless Nickel (AMS-C-26074)
TE Adapter Code	40
Adapter Entry Size	6

Termination Features

Overbraid Termination	Tinel-Lock Ring
-----------------------	-----------------

Dimensions

Cable Entry Diameter	.2 – 9.5 mm [.01 – .38 in]
Cable Diameter Range	4.8 – 7.6 mm [.188 – .3 in]

Usage Conditions

Salt Spray Resistance	48 Hr
-----------------------	-------

Operating Temperature Range	-65 – 200 °C[-85 – 392 °F]
-----------------------------	----------------------------

Industry Standards

Connector Detail Specification Number	D38999/20, D38999/24, D38999/26, D38999/40, D38999/42, D38999/46, D38999/47
---------------------------------------	---

Other

Connector General Specification Number	MIL-DTL-38999 Series III/Class C,F,K,W, MIL-DTL-38999 Series IV/Class C,F,W, MIL-DTL-38999 Series IV/Class C,W, MIL-DTL-38999 Series IV/Class F,W
--	---

Product Compliance

[For compliance documentation, visit the product page on TE.com>](#)

EU RoHS Directive 2011/65/EU	Compliant with Exemptions
------------------------------	---------------------------

EU ELV Directive 2000/53/EC	Compliant
-----------------------------	-----------

China RoHS 2 Directive MIIT Order No 32, 2016	Restricted Materials Above Threshold
---	--------------------------------------

EU REACH Regulation (EC) No. 1907/2006	<p>Current ECHA Candidate List: JUL 2021 (219) Candidate List Declared Against: JAN 2021 (211) SVHC > Threshold: Pb (.3% in Machined aluminum body)</p> <p>Article Safe Usage Statements: Do not eat, drink or smoke when using this product. Wash thoroughly after handling. Recycle if possible and dispose of the article by following all applicable governmental regulations relevant to your geographic location.</p>
--	---

Halogen Content	Low Halogen - Br, Cl, F, I < 900 ppm per homogenous material. Also BFR/CFR/PVC Free
-----------------	---

Solder Process Capability	Not applicable for solder process capability
---------------------------	--

Product Compliance Disclaimer

This information is provided based on reasonable inquiry of our suppliers and represents our current actual knowledge based on the information they provided. This information is subject to change. The part numbers that TE has identified as EU RoHS compliant have a maximum concentration of 0.1% by weight in homogenous materials for lead, hexavalent chromium, mercury, PBB, PBDE, DBP, BBP, DEHP, DIBP, and 0.01% for cadmium, or qualify for an exemption to these limits as defined in the Annexes of Directive 2011/65/EU (RoHS2). Finished electrical and electronic equipment products will be CE marked as required by Directive 2011/65/EU. Components may not be CE marked. Additionally, the part numbers that TE has identified as EU ELV compliant have a maximum concentration of 0.1% by weight in homogenous materials for lead, hexavalent chromium, and mercury, and 0.01% for cadmium, or qualify for an exemption to these limits as defined in the Annexes of Directive 2000/53/EC (ELV). Regarding the REACH Regulation, the information TE provides on SVHC in articles for this part number is based on the latest European Chemicals Agency (ECHA) 'Guidance on requirements for substances in articles' posted at this URL: <https://echa.europa.eu/guidance-documents/guidance-on-reach>

Compatible Parts



TE Part # 173643-000
RH-3960-1-TINEL-KIT-120V

Also in the Series | Raychem TXR

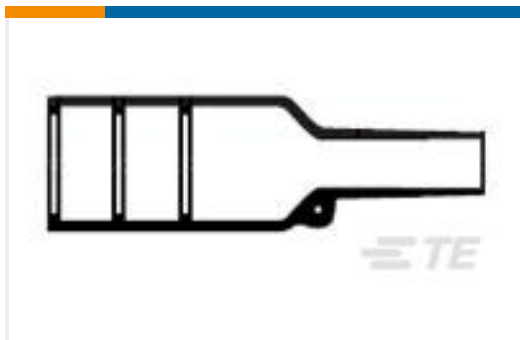


Ruggedized Backshells & Adapters
(2822)



Screened Backshells & Adapters(1)

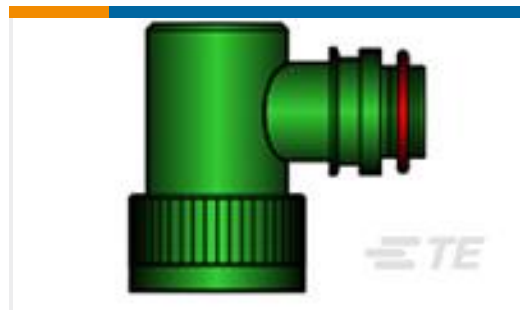
Customers Also Bought



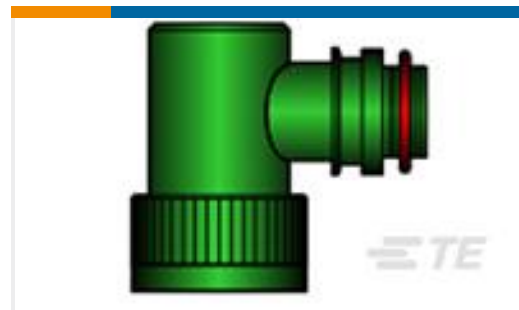
TE Part #822598-000
202K121-3/42-0



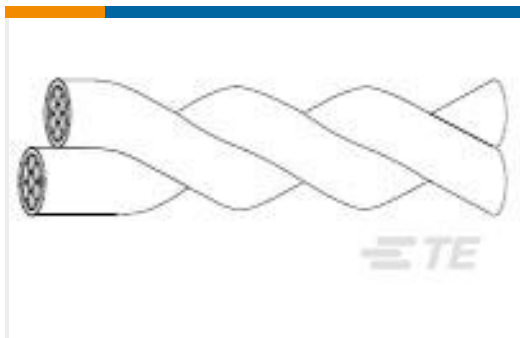
TE Part #5054194005
RNF-100-3/8-8-SP



TE Part #439795-000
TXR40BC90-1608AI



TE Part #324649-000
TXR40BC90-2008AI



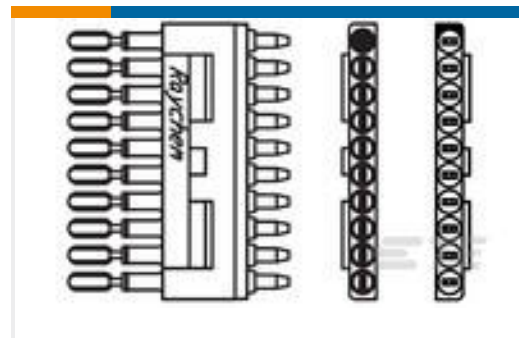
TE Part #3865943001
44A0121-22-2L/9



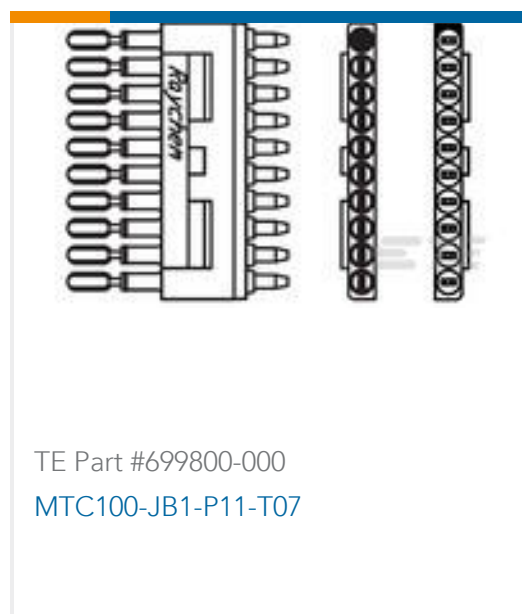
TE Part #2614063001
44A0211-14-2L



TE Part #2850553001
44A0211-16-2L



TE Part #699798-000
MTC100-JA1-P11-T05



Documents

Product Drawings

[TXR40AC00-1606AI](#)

English

CAD Files

[3D PDF](#)

3D

Customer View Model

[ENG_CVM_CVM_181419-000_O.2d_dxf.zip](#)

English

Customer View Model

[ENG_CVM_CVM_181419-000_O.3d_igs.zip](#)

English

Customer View Model

[ENG_CVM_CVM_181419-000_O.3d_stp.zip](#)

English

By downloading the CAD file I accept and agree to the [Terms and Conditions](#) of use.

Datasheets & Catalog Pages

[5-1654025-5_sec6_Adapters](#)

English

Circular Backshells

English

Product Specifications

[General Information Package for Tinel-Lock Adapters](#)

English

[Braid termination using a Tinel Lock Ring installed using a resistance heater.](#)

French

[Braid termination using a Tinel Lock Ring installed using a resistance heater.](#)

English

[PERFORMANCE SPECIFICATION Tinel-Lock Rings, Heat Recoverable for Braid Termination](#)

English

[ASSEMBLY GUIDE for Tinel -Lock Rings, Heat Recoverable for Braid Temination](#)

English



[Instruction Sheets](#)

[Instruction Sheet \(U.S.\)](#)

English

Mouser Electronics

Authorized Distributor

Click to View Pricing, Inventory, Delivery & Lifecycle Information:

[TE Connectivity:](#)

[TXR40AC00-1606AI](#)