

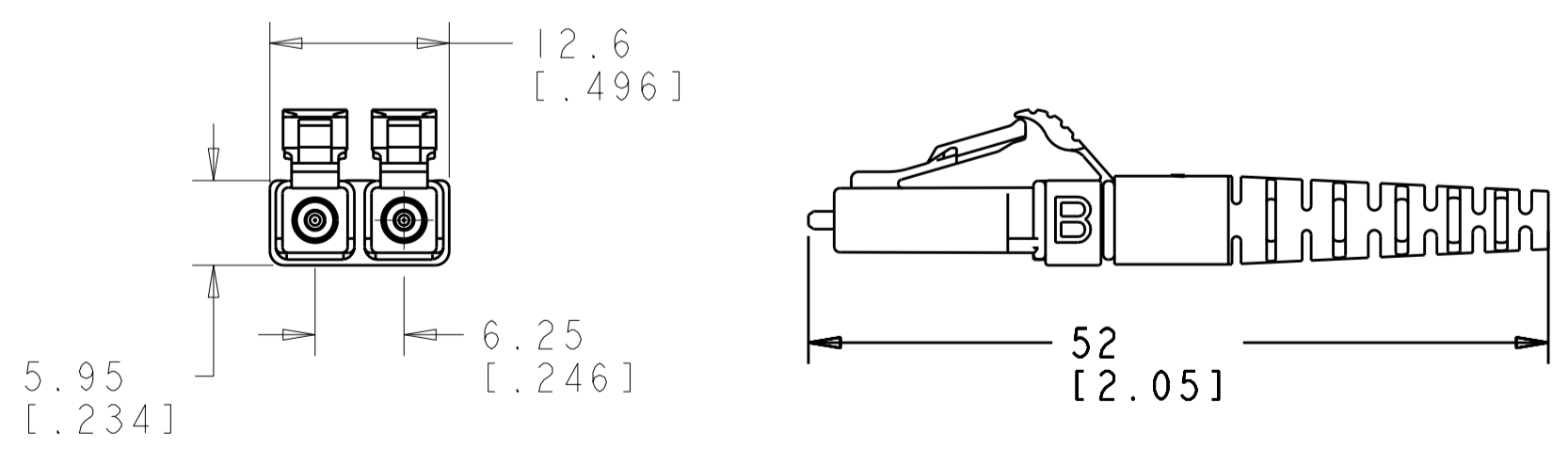
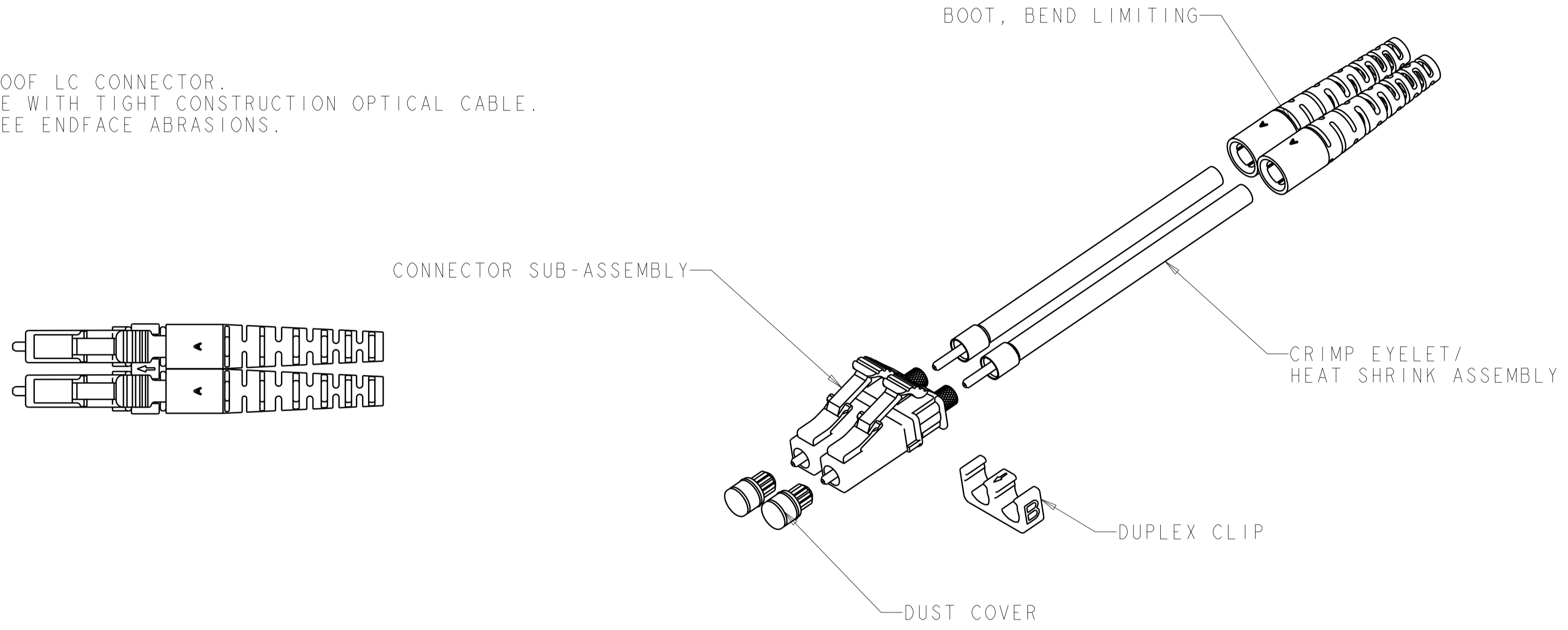
THIS DRAWING IS UNPUBLISHED. RELEASED FOR PUBLICATION
 © COPYRIGHT BY TYCO ELECTRONICS CORPORATION. ALL INTERNATIONAL RIGHTS RESERVED.

LOC	DIST	REVISIONS			
P	LTR	DESCRIPTION	DATE	DWN	APVD
HG	-				
	A	ECO-07-016319	17JUL2007	DHR	DHR
	B	REV PER ECR-10-010066	20MAY2010	IL	CT

- 1 MATERIAL: PROTECTIVE COVER: TPE, COLOR: BLACK, UL 94 HB. *
- FERRULE SUB ASSEMBLY: ZIRCONIA/ALUM. ALLOY
- COMPRESSION SPRING: STAINLESS STEEL.
- FRONT HOUSING: PPSU, COLOR BEIGE, UL 94 V-0. *
- REAR BODY: ALUM. ALLOY
- DUPLEX CLIP: PEI, COLOR: BLACK, UL 94 V-0. *
- BOOT: PP, COLOR: BEIGE, UL 94 V-0. *
- CRIMP EYELET/HEAT SHRINK ASSY: ALUM. ALLOY, HEAT SHRINK: POLYOLEFIN, UL VW-1.
- * RATED AT QUALIFYING THICKNESS.

2 BULK PACKAGE

3. THIS IS A NON-PULL PROOF LC CONNECTOR.
 IT IS DESIGNED FOR USE WITH TIGHT CONSTRUCTION OPTICAL CABLE.
 UNDER LOADS YOU MAY SEE ENDFACE ABRASIONS.



2	6828129-2
	6828129-1
	PART NO.

THIS DRAWING IS A CONTROLLED DOCUMENT FOR TYCO ELECTRONICS CORPORATION. IT IS SUBJECT TO CHANGE AND THE CONTROLLING ENGINEERING ORGANIZATION SHOULD BE CONTACTED FOR THE LATEST REVISION.		DWN: E_HALEY 14OCT2005	Tyco Electronics Corporation Shanghai, China	
DIMENSIONS: mm [INCHES]		CHK: D_ROHDE 14OCT2005		
TOLERANCES UNLESS OTHERWISE SPECIFIED:		APVD: D_ROHDE 14OCT2005	NAME: CONNECTOR KIT, LC, DUPLEX, MM, JUMPER, TIGHT JACKET STYLE, 1.6-2.0mm	
0 PLC ± 1 PLC ±0.1 [0.004] 2 PLC ±0.01 [0.0004] 3 PLC ± 4 PLC ± ANGLES ± FINISH ±		PRODUCT SPEC: -	SIZE: A2	CAGE CODE: -
MATERIAL: 1		APPLICATION SPEC: -	DRAWING NO: C-6828129	RESTRICTED TO: -
		WEIGHT: -	SCALE: 2:1 SHEET 1 OF 1 REV B	
		CUSTOMER DRAWING		

Mouser Electronics

Authorized Distributor

Click to View Pricing, Inventory, Delivery & Lifecycle Information:

[TE Connectivity:](#)

[6828129-1](#)