

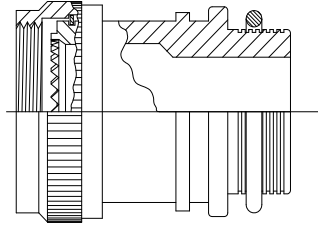
# CUSTOMER DRAWING

## KIT COMPONENTS:

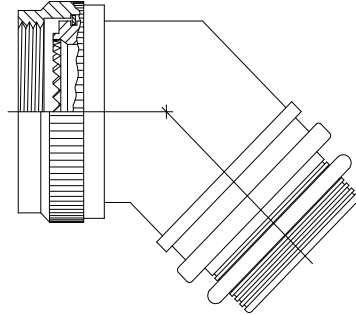
A standard kit shall contain 1 piece each: Adapter, Boot, SolderShield® Splice, Atum tubing (Kit description ends in "A" only)

1. ADAPTER (STRAIGHT, 45 OR 95 DEGREE). Refer to TXR (XX) Adapter drawings for details where (XX) = Adapter Code.

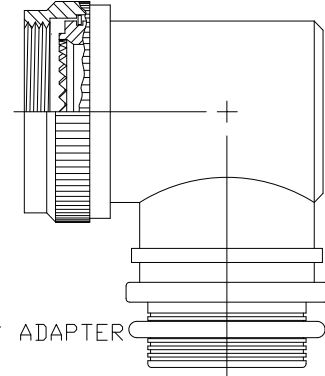
Available Adapter Codes (XX): 15, 18, 21, 30, 32, 40, 41, 54, 61



STRAIGHT ADAPTER

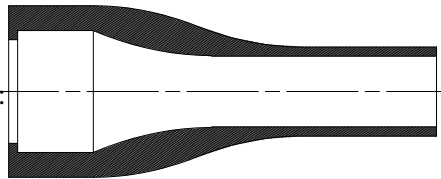


45° ADAPTER

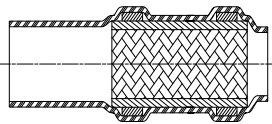


90° ADAPTER

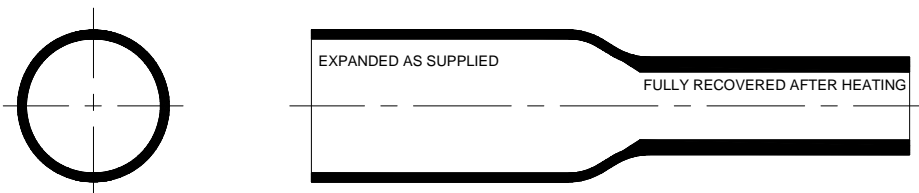
2. MOLDED BOOTS. Available Sizes: 13, 23, 34, 44, 56, 67.



3. SolderShield® SPLICES. Available Sizes: 00, 04, 05, 06, 07, 08, 09, 10, 11, 12, 13, 14, 16. Use code 00 when a non-pre-braided adapter is used. (Pre-Braided Code - 0).



4. SHIM TUBING. (KIT DESCRIPTIONS END WITH LETTER "A" ONLY)



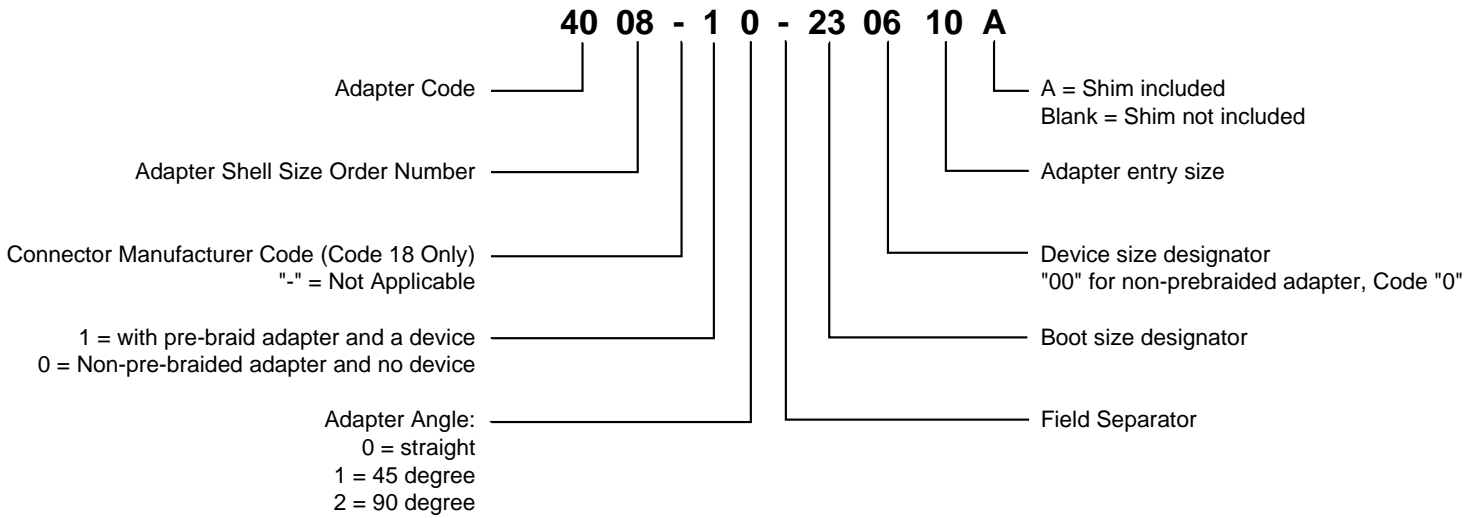
<b>TE</b> TE Connectivity			TITLE: <b>T-FIT ADAPTER AND MOLDED BOOT KITS</b>		
Unless otherwise specified dimensions are in inches. [Metric dimensions are shown in brackets]		Raychem Devices	DOCUMENT NO.: <b>T-FIT-2-12X</b>		
TOLERANCES: 0.00 ± 0.02 MM 0.0 ± 0.2 MM 0 ± 0.5 MM	ANGLES: ± 0°30'  ROUGHNESS IN MICRON	Tyco Electronics Corporation reserves the right to amend this drawing at any time. Users should evaluate the suitability of the product for their application.	REV:  <b>AN</b>	REV DATE:  January 18, 2018	
PREPARED BY: <i>YNGUYEN</i>	CAGE CODE: 06090		ECO NUMBER: ECO-18-000887	SCALE:  NTS	SIZE:  A

© 2007-2018 TE Connectivity Corp. All Rights Reserved.

If this document is printed it becomes uncontrolled. Check for the latest revision.

# CUSTOMER DRAWING

## ADAPTER PART NUMBER KEY



Unless otherwise specified dimensions are in millimeters.  
(Inches dimensions are shown in brackets)

DOCUMENT NO.: <b>T-FIT-2-12X</b>	REV: AN	ECO NUMBER: ECO-18-000887	DATE: 18-Jan-2018	SHEET: 2 of 2
-------------------------------------	------------	------------------------------	----------------------	------------------

If this document is printed it becomes uncontrolled. Check for the latest revision.

# Mouser Electronics

Authorized Distributor

Click to View Pricing, Inventory, Delivery & Lifecycle Information:

## TE Connectivity:

[5414-00-130008](#) [5420-02-130008](#) [3018-10-561120](#) [5420-00-230010](#) [3024-10-441116](#) [5416-10-230408A](#) [3010-10-130508](#) [4014-12-341012](#) [4010-10-130608](#) [1516-10-341012](#) [5422-10-130508](#) [3016-10-340812](#) [5416-10-340812](#) [5418-00-230010A](#) [3012-10-230610](#) [4008-10-230610](#) [5440-10-340812](#) [5420-00-440016](#) [4012-00-130008-CS2359](#) [5428-10-561120-CS2359](#) [5422-12-130508](#) [4010-12-340812](#) [5410-00-130008](#) [3010-10-230610](#) [4016-10-230610](#) [3022-11-441116](#) [5416-00-130006-CS2359](#) [5410-00-230010](#) [5410-02-130006](#) [4022-11-561318](#) [5418-10-230408](#) [5422-10-341012](#) [5428-00-340012](#) [5420-10-441112-CS2359](#) [5416-10-130508](#) [3024-10-440912-CS2359](#) [5420-10-340812-CS2359](#) [5418-00-230010](#) [5414-10-340712](#) [5436-10-340812](#) [4110-10-340812](#) [5420-10-341012](#) [4014-10-341012](#) [3012-10-130508](#) [5428-12-441116](#) [5420-00-130008](#) [5418-00-130006-CS2359](#) [5420-10-440914-CS2359](#) [5424-00-340012](#) [4014-10-230610](#) [5428-10-230610](#) [5414-10-130408](#) [4014-12-230610-CS2360](#) [5424-10-340712](#) [5422-00-340012](#) [5428-10-340712](#) [5420-10-340812](#) [4010-10-340812](#) [4014-10-130508](#) [4016-10-230510](#) [5420-00-440012](#) [5414-10-340812](#) [4010-10-230610](#) [5422-10-340812](#) [4010-12-230610](#) [5420-00-230010-CS2359](#) [1811C10-130508](#) [1818-10-340712](#) [5432-02-560020](#) [5424-10-671622](#) [5412-10-230610](#) [5414-11-130408](#) [927515N001](#) [1520-10-340912](#) [1520-10-340812](#) [1814-10-130408](#) [3014-10-230510-CS2359](#) [3012-10-340812](#) [3012-11-230510-CS2324](#) [3012-10-230610-CS2359](#) [3016-10-441016-CS2359](#) [3028-11-441114-CS2324](#) [3012-11-130408-CS2324](#) [3024-10-561316-CS2359](#) [3222-00-340012](#) [3222-00-340012-CS2359](#) [3216-00-340012-CS2359](#) [3222-02-340012-CS2360](#) [4024-00-130008-CS2359](#) [4024-00-130008](#) [4020-11-561318](#) [4016-10-130508-CS2359](#) [4022-10-561318](#) [5418-10-340912](#) [5420-00-130008-CS2359](#) [5424-10-340812-CS2359](#) [5424-00-340012-CS2359](#) [5416-10-230408A-CS2359](#) [5424-11-441112-CS2324](#) [5424-12-340812-CS2360](#)