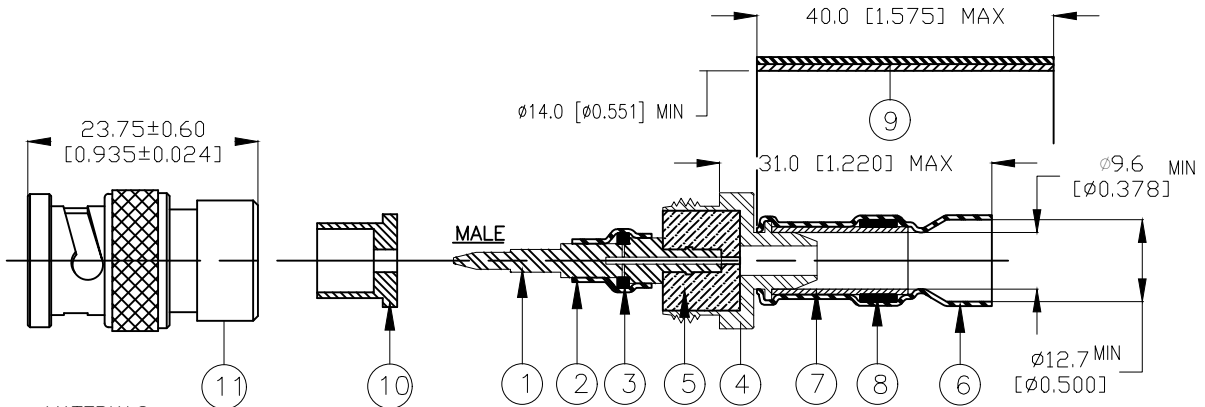


REVISIONS					
P	LTR	DESCRIPTION	DATE	DWN	APVD
	5	REVISED AS PER ECO-20-006204	05MAY2020	MG	UV



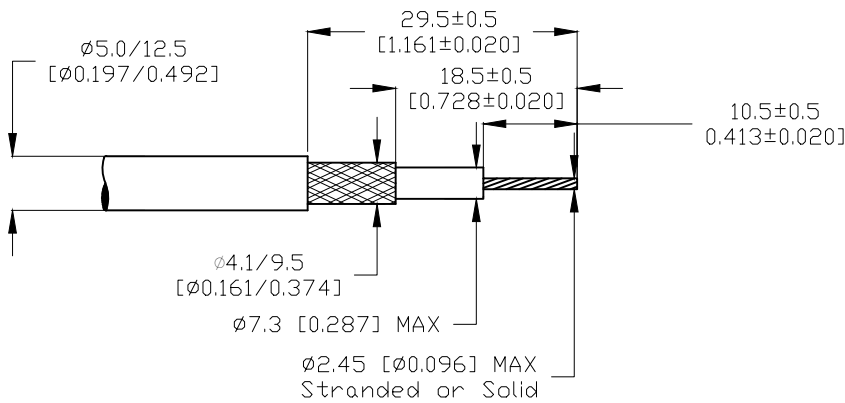
MATERIALS:

- Center Contact: Gold plated brass (male).
- & 6. Heat Shrinkable Insulation Sleeve: Radiation cross-linked modified polyvinylidene fluoride. Transparent blue.
- & 8. Solder Preform: Sn63Pb37 solder per ANSI/J-STD-006. ROL0 flux per ANSI/J-STD-004.
- Threaded Transition Part: Silver plated brass.
- Dielectric Insulator: PolyTetraFluoroEthylene
- Shield: Solder impregnated, flux coated copper braid. Solder: Sn63Pb37 per ANSI/J-STD-006. Flux: ROL0 per ANSI/J-STD-004.
- Heat Shrinkable Insulation Sleeve: Radiation cross-linked modified polyolefin with adhesive. Color: black, Marked: PBD-50-89-S
- Dielectric Insulator: PolyTetraFluoroEthylene
- Connector Body: Nickel plated brass.

APPLICATION:

- This controlled soldering device is designed for terminating the center conductor & the braid of 50Ω single or double braided coaxial cables with the following:
 - Tin or silver plated conductor and braid.
 - An insulation rating of at least 85°C.
- The assembly is intermatable with MIL-PRF-39012C BNC type connectors.
- Temperature range:
 - *With black sleeve ⑨ : -55°C to +100°C.
 - *Without black sleeve ⑨ : -55°C to +150°C.
- For installation procedure and application equipment consult RPIP-683-00-SAAB.
- This device will meet Raychem specification RB-115 when assembled properly.

For best results, prepare the cable as shown:

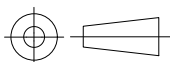


TE Connectivity. All Rights Reserved.

2020

©

DIMENSIONS: mm [INCHES]	DWN	T.CORREIA	08APR2020	MATERIAL	-	FINISH	-		
	CHK	N.HEGDE	08APR2020	TE Connectivity					
TOLERANCES UNLESS OTHERWISE SPECIFIED:	APVD	U.VARMA	05MAY2020					NAME PLUGPAK CONNECTOR 50 OHM BNC	
	PRODUCT SPEC	-		SIZE	A4	CAGE CODE	06090		
0 PLC ± -	APPLICATION SPEC	-		DRAWING NO	C-PBD-50-89-S		RESTRICTED TO	-	
1 PLC ± -	WEIGHT	-		SCALE			DNS	SHEET	1 OF 1
2 PLC ± -	CUSTOMER DRAWING							REV	5
3 PLC ± -									
4 PLC ± -									
ANGLES ± -									



Mouser Electronics

Authorized Distributor

Click to View Pricing, Inventory, Delivery & Lifecycle Information:

[TE Connectivity:](#)

[PBD-50-89-S](#)