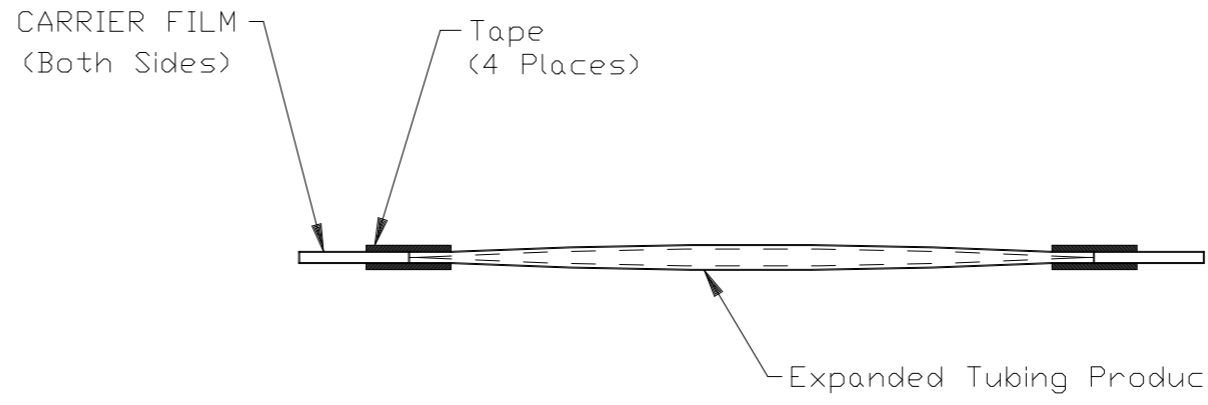


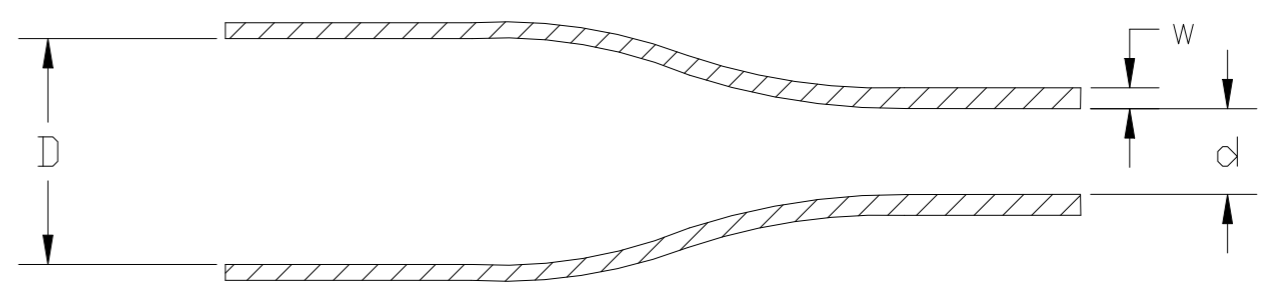
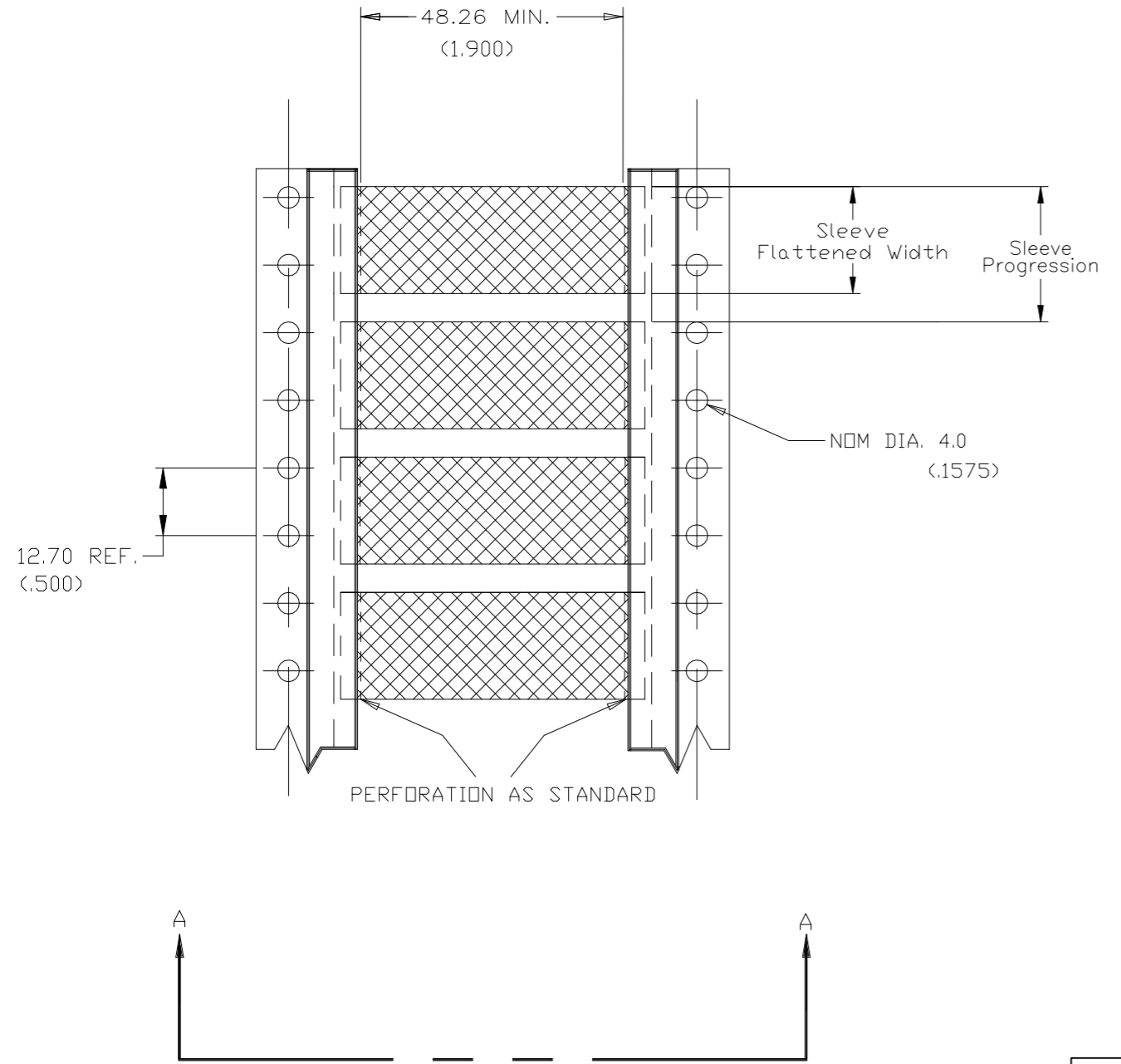
REVISIONS					
P	LTR	DESCRIPTION	DATE	DWN	APVD
J1		UPDATE FLAT WIDTH ECR-21-106386	05JUL2021	AFK	LS



SECTION A - A

Product Size	2.4	3.2	4.8	6.4	9.5	12	18	25	38
Minimum Sleeve Flattened Width	4.45 (.175)	5.84 (.230)	8.00 (.315)	10.67 (.420)	15.49 (.610)	20.45 (.805)	30.48 (1.200)	40.39 (1.590)	60.33 (2.375)
Nominal Sleeve Progression	12.70 (.500)	12.70 (.500)	12.70 (.500)	16.94 (.667)	25.40 (1.000)	29.64 (1.167)	42.34 (1.667)	50.80 (2.00)	71.96 (2.83)
"D" Minimum Supplied I.D.	2.39 (.094)	3.18 (.125)	4.75 (.187)	6.40 (.250)	9.53 (.375)	12.70 (.500)	19.05 (.750)	25.40 (1.00)	38.10 (1.50)
"d" Maximum Recovered I.D.	0.79 (.031)	1.07 (.042)	1.57 (.062)	2.11 (.083)	3.17 (.125)	4.22 (.166)	6.35 (.250)	8.46 (.333)	19.05 (.750)
"w" Recovered wall ±0.08 (.003)	0.51 (.023)	0.51 (.023)	0.58 (.023)	0.58 (.023)	0.61 (.024)	0.61 (.024)	0.61 (.024)	0.64 (.025)	0.64 (.025)

DIMENSIONS IN mm (inches)



THIS DRAWING IS A CONTROLLED DOCUMENT.		DWN AFK CHK -	08JAN2020	<b>TE Connectivity</b>	
DIMENSIONS: mm 		TOLERANCES UNLESS OTHERWISE SPECIFIED: 0 PLC ± - 1 PLC ± - 2 PLC ± - 3 PLC ± - 4 PLC ± - ANGLES ± -			
MATERIAL CROSSLINKED POLYOLIFIN		FINISH -		PRODUCT SPEC RW-2519	RESTRICTED TO -
		APPLICATION SPEC 411-121008		SIZE A3	CAGE CODE 0198G
		WEIGHT VARIOUS		DRAWING NO C-MCD160000	RESTRICTED TO -
CUSTOMER DRAWING				SCALE NTS	SHEET 1 OF 1
				REV J1	

# Mouser Electronics

Authorized Distributor

Click to View Pricing, Inventory, Delivery & Lifecycle Information:

[TE Connectivity:](#)

[D-SCE-25-50-4](#)