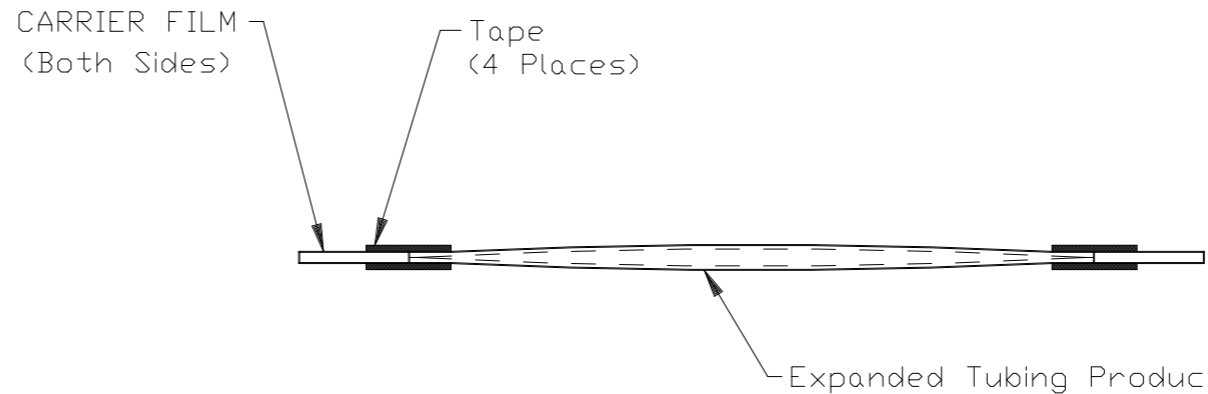


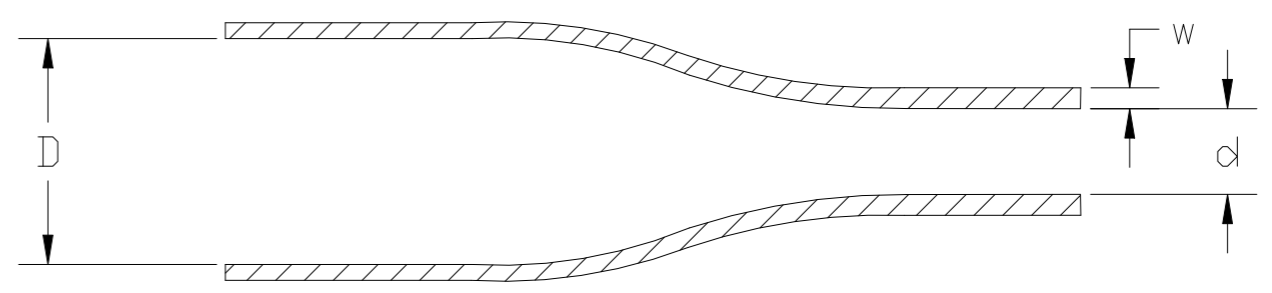
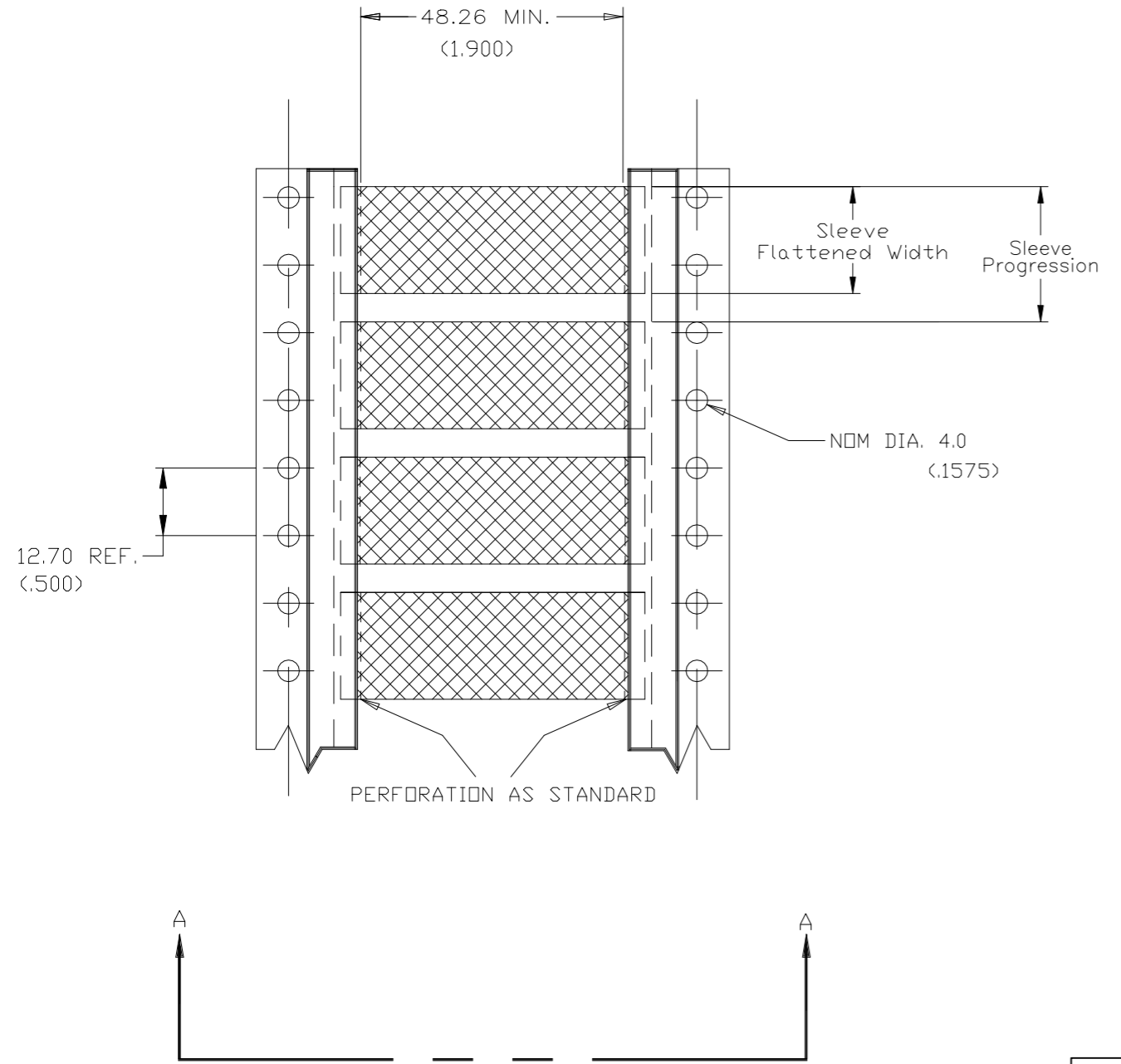
REVISIONS					
P	LTR	DESCRIPTION	DATE	DWN	APVD
J1		UPDATE FLAT WIDTH ECR-21-106386	05JUL2021	AFK	LS



SECTION A - A

Product Size	2.4	3.2	4.8	6.4	9.5	12	18	25	38
Minimum Sleeve Flattened Width	4.45 (.175)	5.84 (.230)	8.00 (.315)	10.67 (.420)	15.49 (.610)	20.45 (.805)	30.48 (1.200)	40.39 (1.590)	60.33 (2.375)
Nominal Sleeve Progression	12.70 (.500)	12.70 (.500)	12.70 (.500)	16.94 (.667)	25.40 (1.000)	29.64 (1.167)	42.34 (1.667)	50.80 (2.00)	71.96 (2.83)
"D" Minimum Supplied I.D.	2.39 (.094)	3.18 (.125)	4.75 (.187)	6.40 (.250)	9.53 (.375)	12.70 (.500)	19.05 (.750)	25.40 (1.00)	38.10 (1.50)
"d" Maximum Recovered I.D.	0.79 (.031)	1.07 (.042)	1.57 (.062)	2.11 (.083)	3.17 (.125)	4.22 (.166)	6.35 (.250)	8.46 (.333)	19.05 (.750)
"w" Recovered wall ±0.08 (.003)	0.51 (.023)	0.51 (.023)	0.58 (.023)	0.58 (.023)	0.61 (.024)	0.61 (.024)	0.61 (.024)	0.64 (.025)	0.64 (.025)

DIMENSIONS IN mm (inches)



THIS DRAWING IS A CONTROLLED DOCUMENT.		DWN AFK CHK -	08JAN2020	TE Connectivity																	
<table border="1"> <tr> <th>DIMENSIONS:</th> <th>TOLERANCES UNLESS OTHERWISE SPECIFIED:</th> </tr> <tr> <td>mm</td> <td></td> </tr> <tr> <td></td> <td>± -</td> </tr> <tr> <td></td> <td>± -</td> </tr> <tr> <td></td> <td>± -</td> </tr> <tr> <td></td> <td>± -</td> </tr> <tr> <td></td> <td>± -</td> </tr> <tr> <td></td> <td>± -</td> </tr> </table>		DIMENSIONS:	TOLERANCES UNLESS OTHERWISE SPECIFIED:			mm			± -		± -		± -		± -		± -		± -	APVD LS	20JAN2020
DIMENSIONS:	TOLERANCES UNLESS OTHERWISE SPECIFIED:																				
mm																					
	± -																				
	± -																				
	± -																				
	± -																				
	± -																				
	± -																				
MATERIAL CROSSLINKED POLYOLIFIN		FINISH -	<table border="1"> <tr> <td>PRODUCT SPEC RW-2519</td> <td>SIZE 411-121008</td> <td>CAGE CODE A30198G</td> <td>DRAWING NO C-MCD160000</td> <td>RESTRICTED TO -</td> </tr> </table>		PRODUCT SPEC RW-2519	SIZE 411-121008	CAGE CODE A30198G	DRAWING NO C-MCD160000	RESTRICTED TO -												
PRODUCT SPEC RW-2519	SIZE 411-121008	CAGE CODE A30198G	DRAWING NO C-MCD160000	RESTRICTED TO -																	
CUSTOMER DRAWING			WEIGHT VARIOUS	SCALE NTS	SHEET 1 OF 1																

Mouser Electronics

Authorized Distributor

Click to View Pricing, Inventory, Delivery & Lifecycle Information:

[TE Connectivity:](#)

[D-SCE-1K-38-50-4](#)