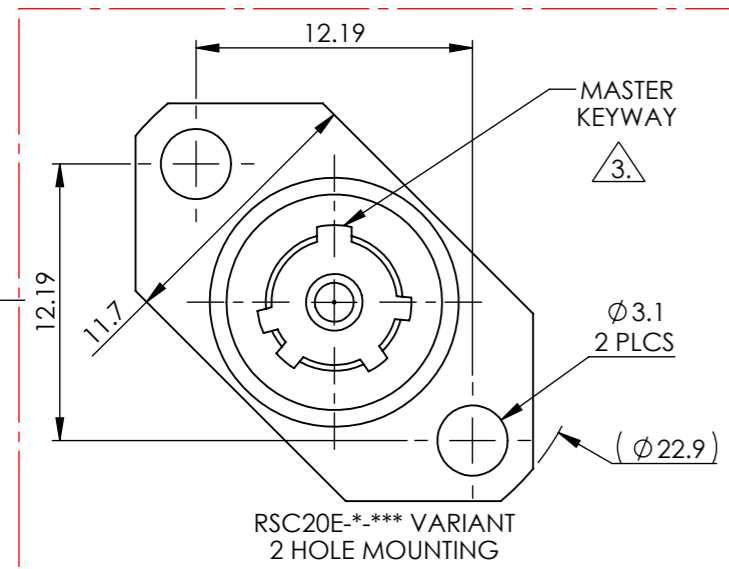
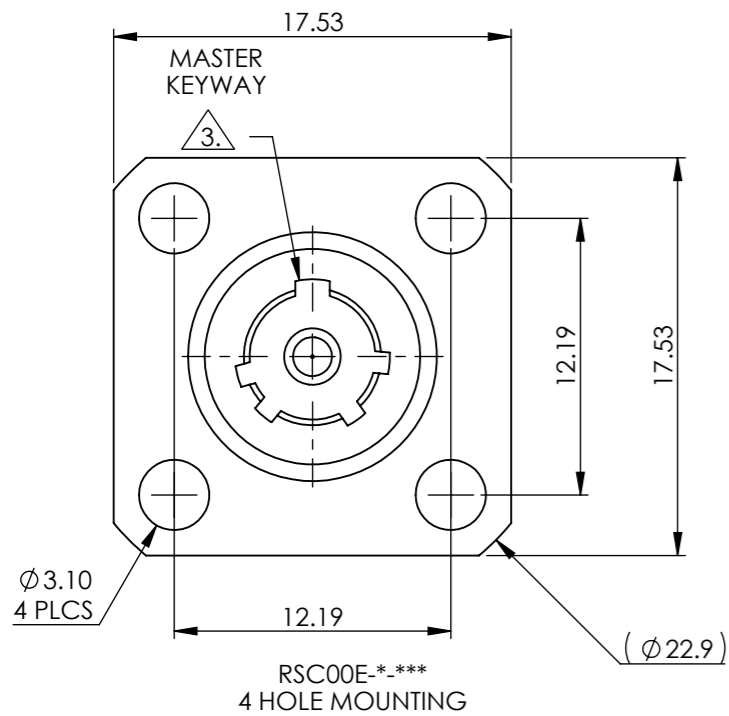


DRAWING NUMBER:
454651-ENV



NOTES:

- 1. ITEM TO BE PACKED IN A PLASTIC BAG MARKER WITH A MINIMUM OF TE PART NUMBER AND DATE CODE
- 2. FERRULE ASSEMBLY NOT SUPPLIED WITH CONNECTOR, SEE D456099-ENV
- 3. MASTER KEYWAY ONLY FOR RSC00E-U-***. UNIVERSAL CONNECTOR INTERMATEABLE WITH ALL KEY VARIANTS ON RSC PLUG
- 4. DATE CODE AND PART NUMBER: H9904D RSC00E - N - ***

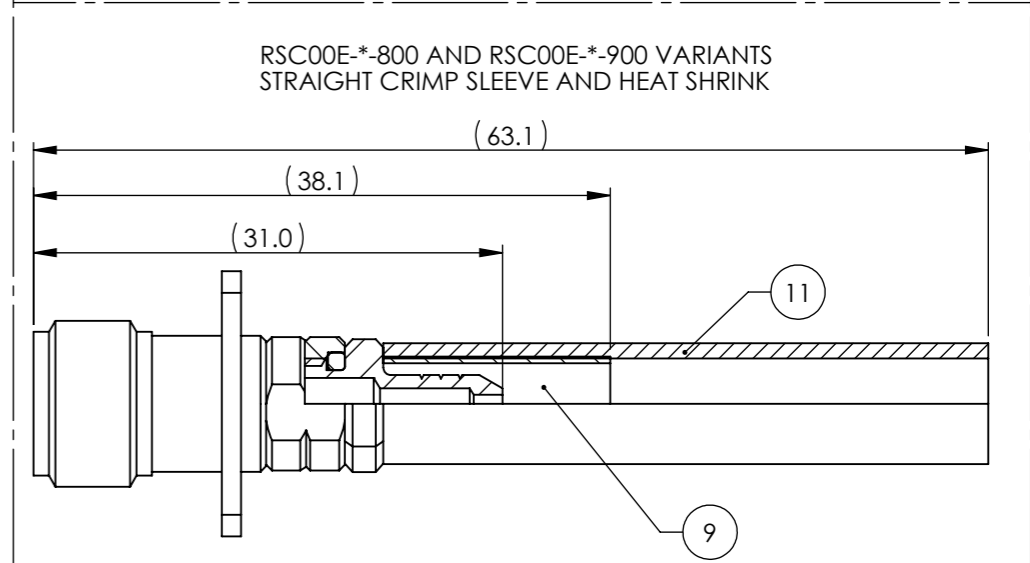
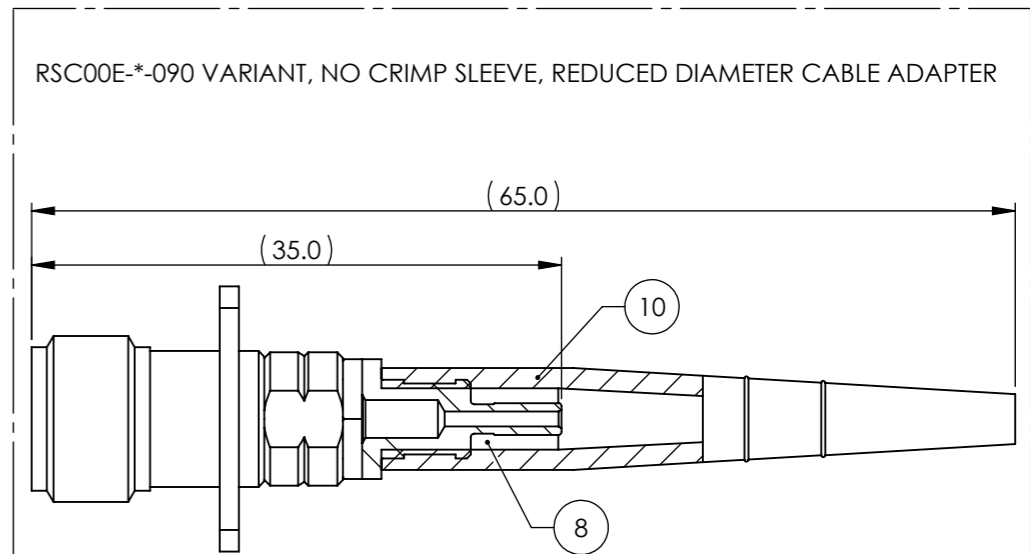
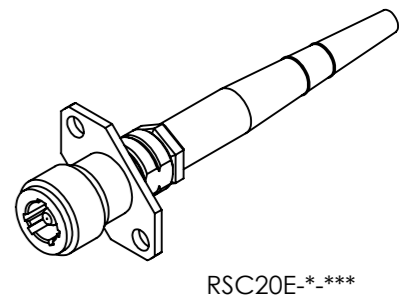
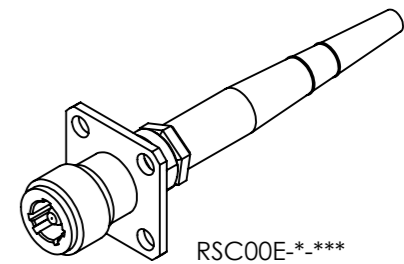
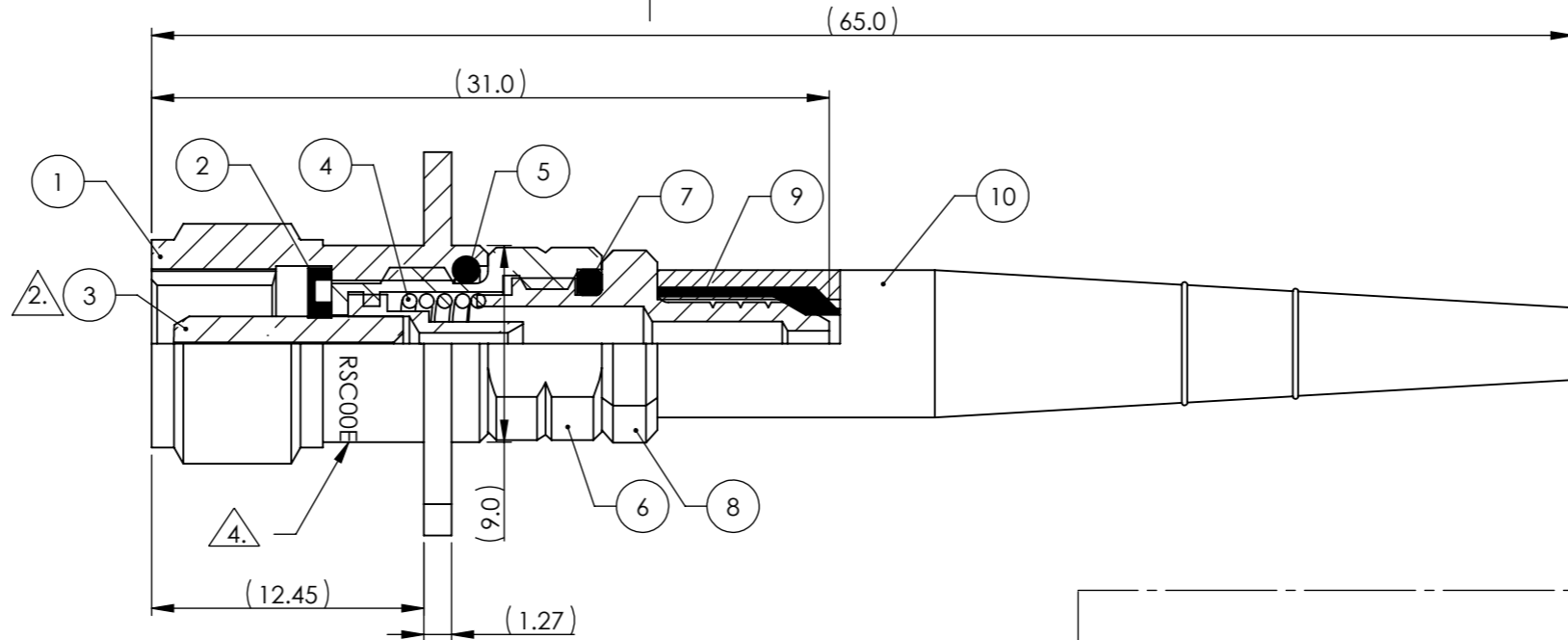
DATE CODE
CONNECTOR TYPE:
RSC00E : 4 HOLE MOUNTING
RSC20E: 2 HOLE MOUNTING

KEY:
N, A, B, C, D, E, U

CABLE DIAMETER:

- 090 = Ø0.9mm
- 100 = Ø2.5mm
- 180 = Ø1.8mm
- 200 = Ø2.0mm
- 300 = Ø1.65mm
- 400 = Ø3.0mm
- 500 = Ø3.2mm
- 600 = Ø2.1mm
- 700 = Ø1.6mm (GLASS BRAID)
- 800 = Ø3.7mm
- 900 = Ø5.0mm

ITEM No	DESCRIPTION
1	RECEPTACLE SHELL
2	FRONT SEAL (FITTED)
3	RSC TERMINI (SEE NOTE 2)
4	SPRING
5	O-RING 4.0 X 1.25 (FITTED)
6	PLUG FERRULE CARRIER
7	O-RING 3.0 X 1.5 (FITTED)
8	CABLE ADAPTOR
9	CRIMP SLEEVE
10	STRAIN RELIEF BOOT
11	HEATSHRINK SLEEVE



BS8888	MATERIAL: SEE TABLE	FINISH:	<p>DEUTSCH TE CONNECTIVITY UK LTD., ST. LEONARDS-ON-SEA, TN38 9RF, UK.</p>
THIRD ANGLE PROJECTION	TITLE: RSC RECEPTACLE ASSEMBLY	TYPE: CUSTOMER DRAWING	
UNLESS OTHERWISE STATED: DIMENSIONS: mm [INCHES]	SIZE: A3	SCALE: 1:1	DRAWING NUMBER: 454651-ENV
IF IN DOUBT, ASK	SHEET: 1 OF 1	ISSUE: AA	

THIS INFORMATION IS CONFIDENTIAL AND PROPRIETARY TO TYCO ELECTRONICS CORPORATION AND ITS WORLDWIDE SUBSIDIARIES AND AFFILIATES (TE). IT MAY NOT BE DISCLOSED TO ANYONE OTHER THAN TE PERSONNEL, WITHOUT AUTHORIZATION FROM TE (www.te.com).

Mouser Electronics

Authorized Distributor

Click to View Pricing, Inventory, Delivery & Lifecycle Information:

TE Connectivity:

[RSC06E-N-200](#) [RSC00E-A-400](#) [RSC00E-D-400](#) [RSC00E-E-400](#) [RSC07E-N-100](#) [RSC07E-D-200](#) [RSC07E-N-200](#)
[RSC07E-A-100](#)