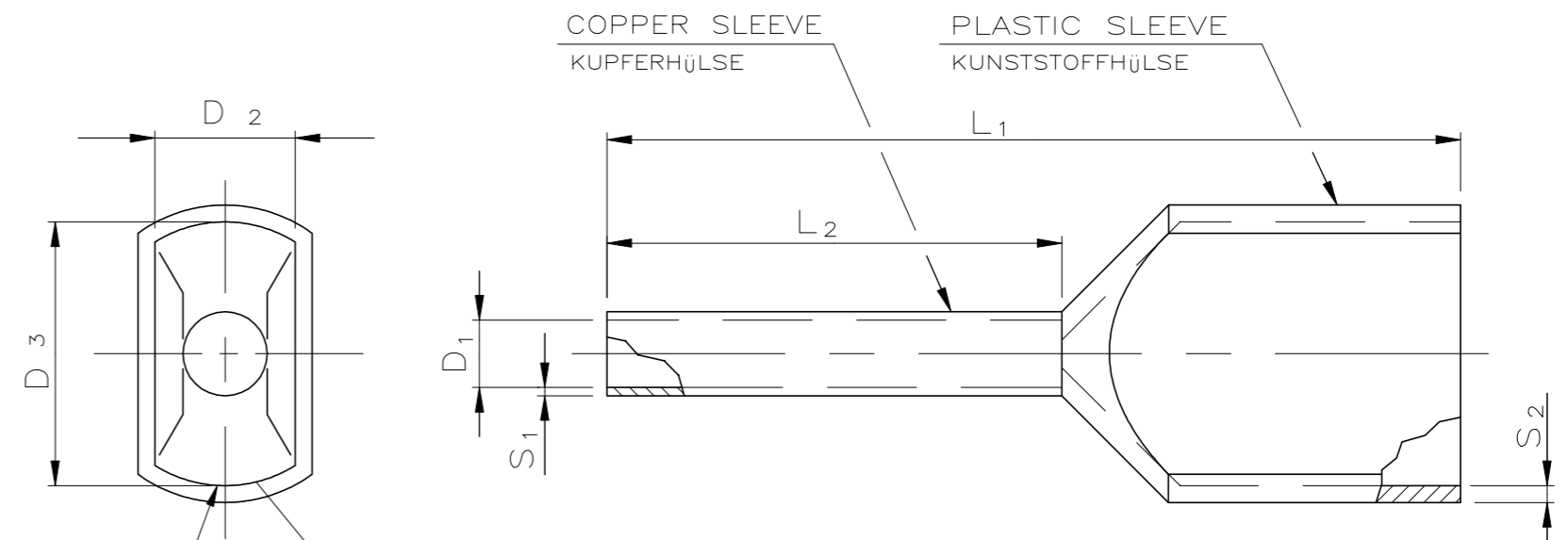


THIS DRAWING IS UNPUBLISHED.
VERTRAULICHE UNVERÖFFENTLICHTE ZEICHNUNG

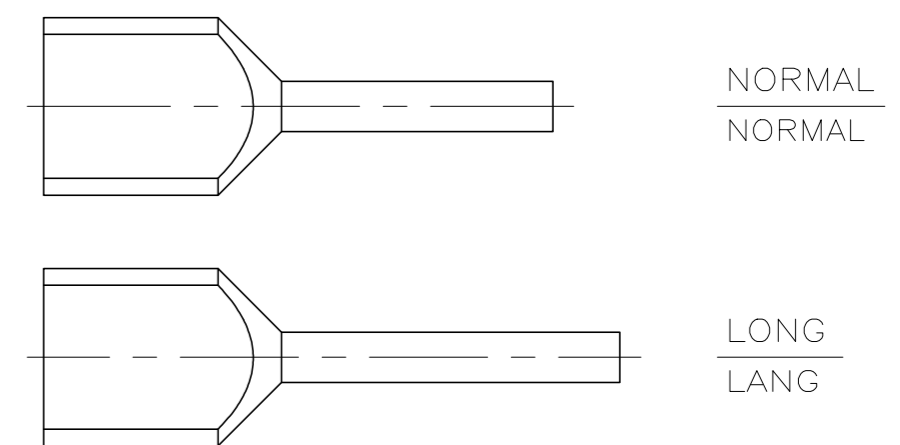
RELEASED FOR PUBLICATION
FREI FÜR VERÖFFENTLICHUNG

ALL RIGHTS RESERVED.
ALLE RECHTE VORBEHALTEN

P		LTR		REVISIONS ÄNDERUNGEN		DATE	DWN	APVD
				DESCRIPTION BESCHREIBUNG				
PROJECT NO. : E93-52531				B6	PART NUMBER STATUS UPDATED		24FEB2014	KJK JK
				B7	OBSOLETE PN 966144-5		21FEB2018	SH GN
				B8	ECO-19-003069		01OCT2019	RS DR



ORDER NO. BESTELL-NR.	CROSS-SECTION QUERSCHNITT		STRIP LENGTH ABISOLIERLÄNGE /mm	TYPE AUSFÜHRUNG	COLOUR FARBE	L1 /mm	L2 /mm	D1 /mm	S1 /mm	S2 /mm	D2 /mm	D3 /mm	COLOUR TYPE FARB- REIHE	PACKING UNIT VERPACKUNGS- EINHEIT PIECES PER BAG STÜCK PRO BEUTEL
	mm ²	AWG												
966 144-1	2x0.50	2x20	11	NORMAL	WHITE	15.0 ±1.5	8.00 ±0.6	1.40 +0.14	0.15 ±0.05	0.25 ±0.10	2.50 ±0.2	4.70 ±0.4	1/DIN	500
966 144-2	2x0.75	2x18	11	NORMAL	GREY	15.0 ±1.5	8.00 ±0.6	1.70 +0.25	0.15 ±0.05	0.25 ±0.10	2.80 ±0.2	5.00 ±0.4	DIN	500
966 144-3	2x0.75	2x18	13	LONG	GREY	17.0 ±1.5	10.0 ±0.6	1.70 +0.25	0.15 ±0.05	0.25 ±0.10	2.80 ±0.2	5.00 ±0.4	DIN	500
966 144-4	2x1.00	2x17	11	NORMAL	RED	15.0 ±1.5	8.00 ±0.6	1.95 +0.25	0.15 ±0.05	0.30 ±0.10	3.40 ±0.2	5.40 ±0.4	1/DIN	500
966 144-6	2x1.50	2x16	12	NORMAL	BLACK	16.0 ±1.5	8.00 ±0.6	2.20 +0.25	0.15 ±0.05	0.30 ±0.10	3.60 ±0.2	6.60 ±0.4	1/DIN	500
966 144-7	2x1.50	2x16	16	LONG	BLACK	20.0 ±1.5	12.0 ±0.6	2.20 +0.25	0.15 ±0.05	0.30 ±0.10	3.60 ±0.2	6.60 ±0.4	1/DIN	500
966 144-8	2x2.50	2x14	14	NORMAL	BLUE	18.5 ±1.5	10.0 ±0.6	2.80 +0.25	0.20 ±0.05	0.30 ±0.10	4.20 ±0.2	7.80 ±0.4	2/DIN	250
966 144-9	2x2.50	2x14	17	LONG	BLUE	21.5 ±2.0	13.0 ±0.6	2.80 +0.25	0.20 ±0.05	0.30 ±0.10	4.20 ±0.2	7.80 ±0.4	2/DIN	250
1-966 144-0	2x4.00	2x11	17	NORMAL	GREY	23.0 ±2.0	12.0 ±0.6	3.70 +0.30	0.20 ±0.05	0.40 ±0.15	4.90 ±0.4	8.80 ±0.4	2/DIN	100
1-966 144-1	2x6.00	2x10	19	NORMAL	YELLOW	26.0 ±2.0	14.0 ±0.6	4.80 +0.30	0.20 ±0.05	0.40 ±0.15	6.90 ±0.4	10.0 ±0.4	DIN	100
1-966 144-7	2x0.75	2x18	13	LONG	BLUE	17.0 ±1.5	10.0 ±0.6	1.70 +0.25	0.15 ±0.05	0.25 ±0.10	2.80 ±0.2	5.00 ±0.4	1	500
2-966 144-2	2x1.50	2x16	16	LONG	RED	20.0 ±1.5	12.0 ±0.6	2.20 +0.25	0.15 ±0.05	0.30 ±0.10	3.60 ±0.2	6.60 ±0.4	2	500
2-966 144-5	2x4.00	2x11	17	NORMAL	ORANGE	23.0 ±2.0	12.0 ±0.6	3.70 +0.30	0.20 ±0.05	0.40 ±0.15	4.90 ±0.4	8.80 ±0.4	1	100
2-966 144-6	2x6.00	2x10	19	NORMAL	GREEN	26.0 ±2.0	14.0 ±0.6	4.80 +0.30	0.20 ±0.05	0.40 ±0.15	6.90 ±0.4	10.0 ±0.4	1	100



- 1 THE AWG CROSS-SECTION CAN DIFFER SLIGHTLY TO THE DIN-STANDARD CROSS-SECTION VALUES.
- 2 RECOMMENDED STRIP LENGTH
- 3 TUBULAR END-SLEEVES PACKED INTO PLASTIC BAG
- 4 COLOUR TYPE 1: COLOURS PER TELEMECANIQUE STANDARD
COLOUR TYPE 2: COLOURS PER WEIDMÜLLER STANDARD
COLOUR TYPE DIN: COLOURS PER DIN 46228 PART 4
- 5 MAX.INSULATION DIA. OF WIRE: 0.5xD₃ MIN. -0.1
- 6. USE HAND TOOL 539660-1
- 7 LENGTH "L1" INCLUDES MOLDING FLASH PRESENT ON THIS SURFACE

- 1 DER AWG-QUERSCHNITT KANN VON DEN DIN-NORM QUERSCHNITTSWERTEN GERINGFÜGIG ABWEICHEN.
- 2 EMPFOHLENE ABISOLIERLÄNGE
- 3 ADERENDHÜLSEN IN PLASTIKBEUTEL VERPACKT
- 4 FARBREIHE 1: FARBEN NACH TELEMECANIQUE STANDARD
FARBREIHE 2: FARBEN NACH WEIDMÜLLER STANDARD
FARBREIHE DIN: FARBEN NACH DIN 46228 TEIL 4
- 5 MAX. ISOLATIONS-Ø DER LEITUNG: 0.5xD₃ MIN. -0.1
- 6. BENUTZEN SIE HANDWERKZEUG 539660-1

THIS DRAWING IS A CONTROLLED DOCUMENT. DIESE ZEICHNUNG IST EIN KONTROLLIERTES DOKUMENT.		DWN R.SCHMIDT 22-FEB-93		
DIMENSIONS: MASSE/WEITEN: mm		CHK W.BÖCK 02-MAR-93		
TOLERANCES UNLESS OTHERWISE SPECIFIED: ALL GEMEINTOLERANZEN		APVD G.FELDMEIER 29-NOV-00	NAME	
		PRODUCT SPEC PRODUKTSPEZ.		DOUBLE CONDUCTOR TUBULAR END-SLEEVE WITH PLASTIC SLEEVE
MATERIAL PP/E-Cu		APPLICATION SPEC VERARBEITUNGSSPEZ.		RESTRICTED TO NUR FÜR
FINISH/OBERFL.: S _n COLOUR: SEE TABLE FARBE: SIEHE TABELLE		WEIGHT GEWICHT	SIZE A2	CAGE CODE 00779
CUSTOMER DRAWING / KUNDENZEICHNUNG		DRAWING NO ZEICHNUNGS-NR. G=966144		SCALE MASSSTAB 1:1
		SHEET BLATT 1 OF 1		REV B8

Mouser Electronics

Authorized Distributor

Click to View Pricing, Inventory, Delivery & Lifecycle Information:

[TE Connectivity:](#)

[966144-8](#)