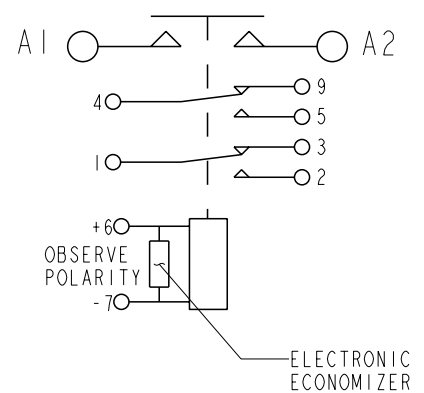
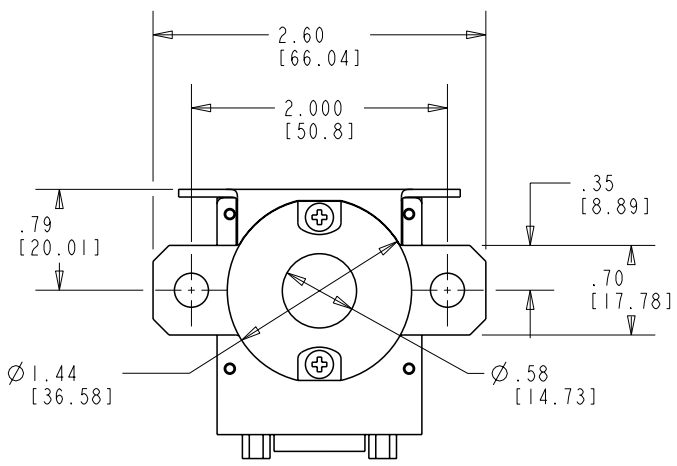


K200A3C

REV. D

| REVISIONS | | RELEASED | | APPROVED |
|-----------|---|----------|--|----------|
| REV. | DESCRIPTION | DATE | | |
| A | RELEASE TO PRODUCTION FROM REV.5 | 15/08/06 | | RSS |
| B | 18-017475 CORRECTED MATING CONNECTOR CALLOUT | 18/11/06 | | AH |
| C | 19-003372 ADDED METRIC UNITS FOR DIM AND WEIGHT | 19/03/04 | | AH |
| D | 19-007176 SPECIFICATION NOTES UPDATED | 19/05/08 | | AH |



CONSTRUCTION GASKET SEALED

MAIN CONTACTS CONFIGURATION SPST N.O. (DOUBLE BREAK)

VOLTAGE 28 VDC

CURRENT 200 AMPS

RESISTIVE MOTORLOAD OVERLOAD 120 AMPS PER MIL-PRF-6106
1600 AMPS PER MIL-PRF-6106

RUPTURE 2000 AMPS

COIL DATA CONTINUOUS (ECONOMIZED)

DUTY CYCLE 32 VDC

MAX. OPERATE VOLTAGE 28 VDC

NOMINAL OPERATE VOLTAGE 28 VDC

PICKUP VOLTAGE 18 VDC MAX

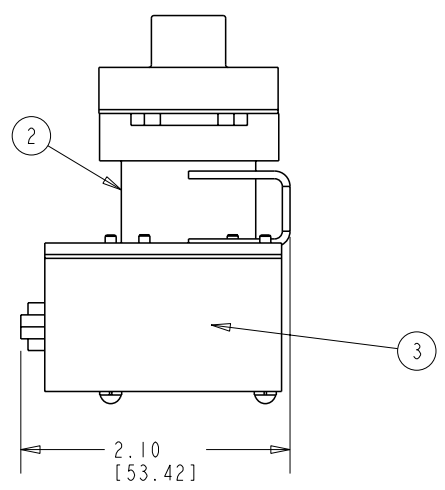
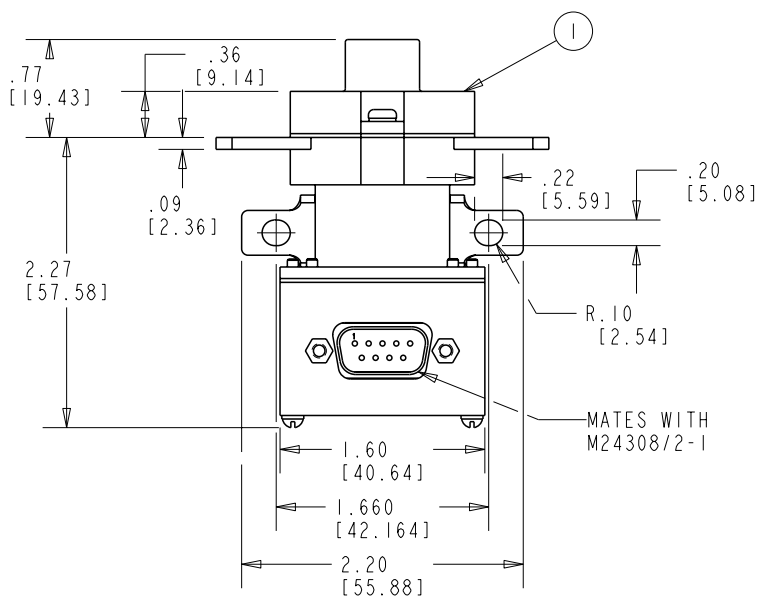
DROP VOLTAGE 1-9 VDC

PICKUP TIME 15 mS

DROPOUT TIME 15 mS

COIL CURRENT 5 AMPS MAX AT 28 VDC & 25°C

INRUSH HOLD SUPPRESSION 300 mA MAX AT 28 VDC & 25°C
±45 VDC



AUX CONTACTS CONFIGURATION 2 SPDT

VOLTAGE 28 VDC

CURRENT RESISTIVE 3 AMPS

LOW LEVEL 1 mA AT 28 VDC

ENVIRONMENTAL DATA

TEMPERATURE -55°C TO +85°C

ALTITUDE 50,000 FEET [15,240M]

LIFE ELECTRICAL 50,000 CYCLES MIN.

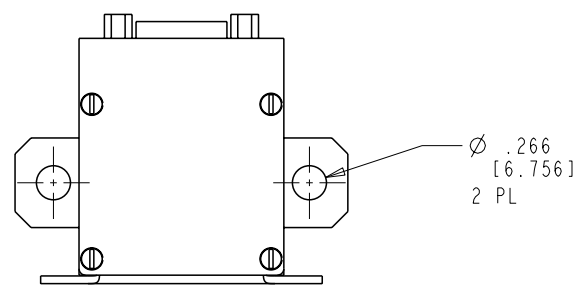
LIFE MECHANICAL 100,000 CYCLES MIN.

MAX WEIGHT .43 LBS (195g)

NOTES

1. AUXILIARY CONTACTS ARE GOLD PLATED.

2. 1 MILLIAMPERE RATING DOES NOT APPLY IF CONTACTS HAVE SWITCHED LOADS ABOVE 1 MILLIAMPERE



| 3 | I | 48103-002 | SCHEMATIC DIAGRAM | | | 8-1616990-3 | | |
|---|----------|------------------------|--|--------------------------|---------|-------------|---|--|
| 2 | I | 48102-004 | NAME PLATE | | | 9-1616977-1 | | |
| 1 | I | 48057-050 | PRIMARY ASSEMBLY | | | 8-1616977-3 | | |
| FIND NO | QTY RECD | PART OR IDENTIFYING NO | NOMENCLATURE OR DESCRIPTION | DRAWING OR SPECIFICATION | FSCM NO | TE PART NO | MATERIAL OR NOTE | |
| UNLESS OTHERWISE SPECIFIED DIMENSIONS ARE IN INCHES TOLERANCES ON | | | Hartman Division 175 N. DIAMOND STREET MANSFIELD, OHIO 44902 | | | | CONTACTOR - SPST N.O. DB 200 AMP, 28 VDC | |
| 2 PL DEC. 13 PL DEC. ANGLES | | | | | | | | |
| ±.06 | ±.010 | ± 1° | DR BY RV 15/08/06 | DWG NO. K200A3C | | | | |
| | | | CHK BY MDM 15/08/07 | | | | | |
| | | | ENGR RSS 15/08/06 | | | | | |
| | | | MFG DWA 15/08/10 | REF TE PN 8-1616977-1 | | | | |
| | | | SIZE A CODE IDENT 74063 | | | | | |
| | | | SCALE NONE SHEET 1 OF 1 | | | | | |

Mouser Electronics

Authorized Distributor

Click to View Pricing, Inventory, Delivery & Lifecycle Information:

[TE Connectivity:](#)

[K200A3C](#)