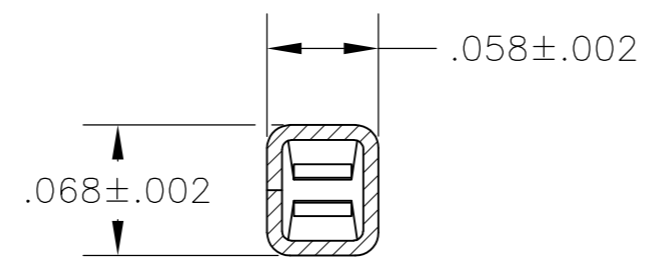
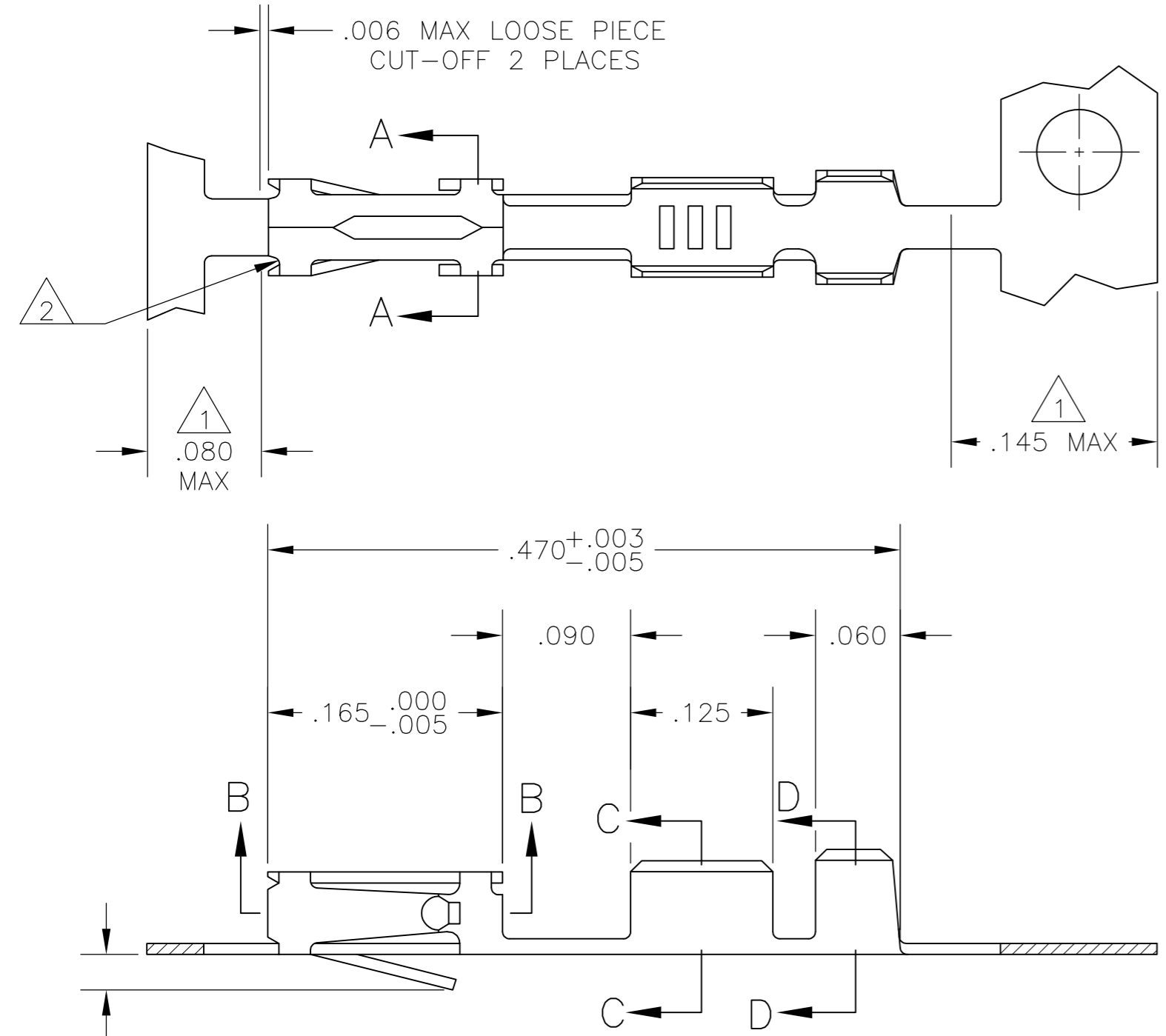
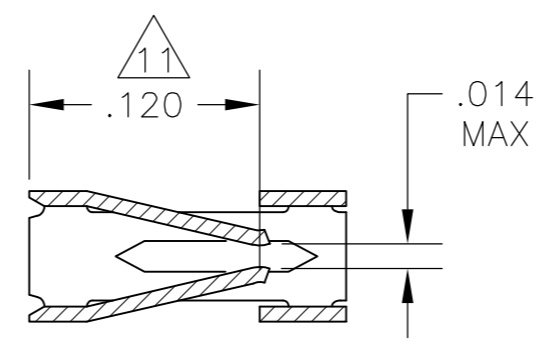


THIS DRAWING IS UNPUBLISHED. RELEASED FOR PUBLICATION  
 © COPYRIGHT - By - ALL RIGHTS RESERVED.

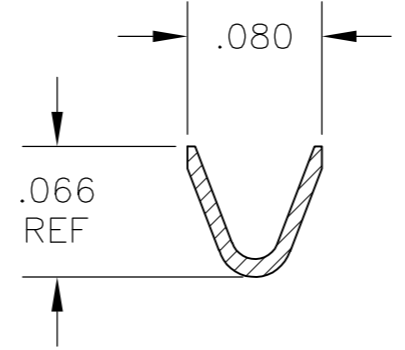
| LOC |     | DIST        |                           | REVISIONS |     |      |  |
|-----|-----|-------------|---------------------------|-----------|-----|------|--|
| P   | LTR | DESCRIPTION |                           | DATE      | DWN | APVD |  |
| AD  | 00  | AE          | REVISED PER ECO-15-004633 | 30MAY2015 | NK  | JO   |  |



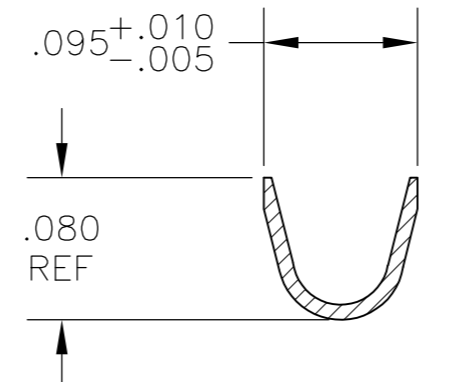
SECTION A-A



SECTION B-B



WIRE SIZE #24-#20  
SECTION C-C



INSULATION RANGE .069 MAX  
SECTION D-D

- 1 GOLD PLATING IS NOT REQUIRED IN THIS AREA.
- 2 CUT-OUTS ON THE BOX ARE AT MANUFACTURERS OPTION.
- 3 THIS TERMINAL IS REELED FOR THE STANDARD APPLICATOR.
- 4 THIS TERMINAL IS REELED FOR THE MINI APPLICATOR.
- 5 .000030 GOLD OVER .000050 NICKEL.
- 6 .000030 GOLD ON THE CONTACT AREA, GOLD FLASH ON THE REMAINDER ALL OVER .000050 NICKEL.
- 7 PREPLATED:(HALT) .000078-.000158 BRIGHT TIN.
- 8 .000050 GOLD OVER .000050 NICKEL.
- 9 .000015 GOLD ON THE CONTACT AREA, GOLD FLASH ON THE REMAINDER ALL OVER .000050 NICKEL.
- 10 .000050 GOLD ON THE CONTACT AREA, GOLD FLASH ON THE REMAINDER ALL OVER .000050 NICKEL.
- 11 POINT OF MEASUREMENT FOR PLATING THICKNESS (INSIDE BEAMS).
- 12 .000015 GOLD IN CONTACT AREA, .000050 NICKEL ON ENTIRE TERMINAL.
- 13 OBSOLETE PART NUMBER.
- 14 OBSOLETE PARTS: OBSOLETE CIS STREAMLINING PER D.RENAUD/D.SINISI.

|                       |    |         |                    |
|-----------------------|----|---------|--------------------|
| 4                     | 12 | 13 -7   | 13 2-85969-0       |
| 3                     | 3  | 12      | 13 -7 1-85969-9    |
| 3                     | 10 | 13 -6   | 13 1-85969-8       |
| 4                     | 4  | 10      | 13 -6 1-85969-7    |
| 4                     | 8  | 86016-4 | 1-85969-0          |
| 4                     | 4  | 7       | 86016-3 85969-9    |
| 4                     | 6  | 86016-2 | 85969-8            |
| 4                     | 4  | 5       | 86016-1 85969-7    |
| 4                     | 9  | 86016-5 | 85969-6            |
| 3                     | 3  | 9       | 86016-5 13 85969-5 |
| 3                     | 8  | 86016-4 | 14 85969-4         |
| 3                     | 3  | 7       | 86016-3 13 85969-3 |
| 3                     | 6  | 86016-2 | 85969-2            |
| SUPERSEDED BY 85969-4 |    | 3       | 5 86016-1 85969-1  |

| REMARKS | FINISH | LOOSE PIECE PART NUMBER | PART NUMBER |
|---------|--------|-------------------------|-------------|
|---------|--------|-------------------------|-------------|

|  |                  |                              |  |                 |
|--|------------------|------------------------------|--|-----------------|
| THIS DRAWING IS A CONTROLLED DOCUMENT. |                  | DWN L.D.RINGLEY 10DEC85      | TE Connectivity                            |                 |
| DIMENSIONS: INCHES                     |                  | CHK J.L.GESFORD 16DEC85      |  |                 |
| TOLERANCES UNLESS OTHERWISE SPECIFIED: |                  | APVD J.L.GESFORD 16DEC85     | NAME                                       |                 |
| 0 PLC ± -                              | 1 PLC ± -        | PRODUCT SPEC 108-25, 020     | CONTACT, MOD IV, RECEPTACLE, CRIMP SNAP-IN |                 |
| 2 PLC ± -                              | 3 PLC ± .005     | APPLICATION SPEC 114-25, 003 | SIZE A2                                    | CAGE CODE 00779 |
| 4 PLC ± -                              | ANGLES ± -       | WEIGHT -                     | DRAWING NO C=85969                         | RESTRICTED TO - |
| MATERIAL CU-NI-SI                      | FINISH SEE TABLE | CUSTOMER DRAWING             | SCALE 10:1                                 | SHEET 1 of 1    |
|  |                  |                              | REV AE                                     |                 |

# Mouser Electronics

Authorized Distributor

Click to View Pricing, Inventory, Delivery & Lifecycle Information:

[TE Connectivity:](#)

[85969-6](#)