

REVISIONS					
P	LTR	DESCRIPTION	DATE	DWN	APVD
	R	PRODUCTION ISSUE	31JAN2019	PNT	MT

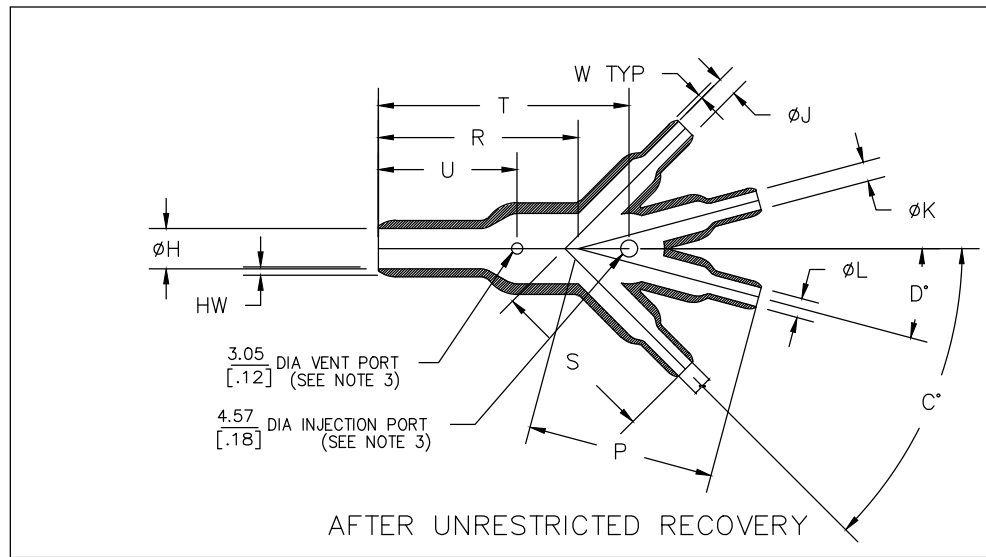
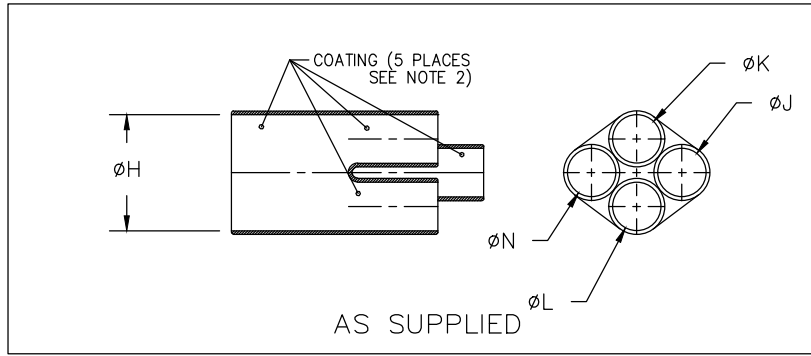


TABLE OF DIMENSIONS


PART NUMBER	H		J,K,L & N		P ±10%	R ±10%	S ±10%	T ±10%	U ±10%	C° ±5%	D° ±5%	HW ±20%	W ±20%	Weight Nom lb/[gms] b
	Min a	Max b	Min a	Max b										
562A011	13.2 [.52]	6.9 [.27]	6.6 [.26]	3.5 [.14]	24.1 [.95]	38.4 [1.51]	24.1 [.95]	43.9 [1.73]	20.0 [.79]	45	15	1.52 [.06]	1.02 [.04]	3.63 [.008]
562A022	19.3 [.76]	9.7 [.38]	9.4 [.37]	5.3 [.21]	35.6 [1.40]	36.1 [1.42]	32.0 [1.26]	43.2 [1.70]	23.1 [.91]	45	15	1.78 [.07]	1.02 [.04]	6.80 [.015]
562A032	19.3 [.76]	9.7 [.38]	13.2 [.52]	6.9 [.27]	49.3 [1.94]	36.1 [1.42]	45.0 [1.77]	50.5 [1.99]	25.4 [1.00]	45	15	1.78 [.07]	1.52 [.06]	13.61 [.030]
562A043	26.9 [1.06]	13.0 [.51]	13.2 [.52]	6.9 [.27]	49.3 [1.94]	51.8 [2.04]	45.0 [1.77]	65.8 [2.59]	33.5 [1.32]	45	15	2.54 [.10]	1.52 [.06]	18.60 [.041]
562A054	38.6 [1.52]	18.5 [.73]	19.3 [.76]	9.7 [.38]	71.9 [2.83]	74.9 [2.95]	65.3 [2.57]	95.3 [3.75]	46.5 [1.83]	45	15	3.05 [.12]	1.78 [.07]	54.43 [.120]
562A067	55.6 [2.19]	26.7 [1.05]	26.9 [1.06]	13.0 [.51]	101.6 [4.00]	108.5 [4.27]	92.5 [3.64]	135.1 [5.32]	65.5 [2.58]	45	15	4.57 [.18]	2.54 [.10]	149.69 [.330]

RELEASED FOR PUBLICATION

ALL RIGHTS RESERVED.

THIS DRAWING IS UNPUBLISHED.

BY -
COPYRIGHT -

DIMENSIONS: mm [INCHES]	DWN	31JAN2019	MATERIAL	FINISH	
	PRAVEEN N T		SEE SHEET 2	-	
TOLERANCES UNLESS OTHERWISE SPECIFIED:	CHK	31JAN2019	 TE Connectivity Ltd.		
	N NAGAR				
0 PLC ± - 1 PLC ± - 2 PLC ± - 3 PLC ± - 4 PLC ± - ANGLES ± -	APVD	31JAN2019	NAME TRANSITION, 1 TO 4 CABLES		
	M TAYLOR				
WEIGHT	PRODUCT SPEC	-	SIZE CAGE CODE DRAWING NO RESTRICTED TO		
	APPLICATION SPEC	-			
CUSTOMER DRAWING		A4	00779	C-562A011-XX-0THRU067-XX-0	SCALE DNS SHEET 1 OF 2 REV R

REVISIONS					
P	LTR	DESCRIPTION	DATE	DWN	APVD
	-	SEE SHEET 1	-	-	-

COMPATABILITY CHART				
MATERIAL DASH NO.	MATERIAL DESCRIPTION	RT SPEC	COATINGS LASH NO.	COATINGS NO.
-3	Polyolefin, Semi-rigid	RT-301	/42;/86;/180	S1017;S1048;S1030
-4	Polyolefin, Flexible	RT-1304	/42;/86;/180	S1017;S1048;S1030
-12	Fluoroelastomer, flexible	RT-1312	N/A	N/A
-25	Elastomer, Fluid Resistant	RW-2070	/42;/86;/225	S1017;S1048;S1206
-100	Polyolefin, Semi-flexible ZEROHAL	RW-2082	/86;/180	S-1048;S-1030

ORDERING INFORMATION


Base part number _____ 562A0XX -XX -XX /XX -0
 Material dash number _____
 (See Compatability Chart)
 Modification number _____
 Adhesive slash number _____
 (if necessary, see Compatability Chart)
 Color designator _____

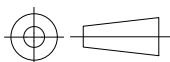
NOTES

- Dimensions appearing in table are as follows:
 - a - As Supplied
 - b - After Unrestricted Recovery
- Coating is optional. As supplied dimensions appearing in table are for uncoated parts. When coating is added, entry diameters will be reduced by 1.5mm[.06] max.
- Molding ports are optional. When -00 modification number is specified molding ports will be located as shown.
- Weight appearing in table of dimensions is based on polyolefin part.

THIS DRAWING IS UNPUBLISHED. ALL RIGHTS RESERVED.

COPYRIGHT - By -

DIMENSIONS: mm [INCHES]	DWN 31JAN2019 PRAVEEN N T	MATERIAL -	FINISH -
	CHK 31JAN2019 N NAGAR	 TE Connectivity Ltd.	
TOLERANCES UNLESS OTHERWISE SPECIFIED:	APVD 31JAN2019 M TAYLOR		
0 PLC ± -	PRODUCT SPEC	SIZE	CAGE CODE
1 PLC ± -	-	A4	00779
2 PLC ± -	APPLICATION SPEC	DRAWING NO	RESTRICTED TO
3 PLC ± -	-	C-562A011-XX-0THRU067-XX-0	-
4 PLC ± -	WEIGHT	SCALE DNS SHEET 2 OF 2 REV R	
ANGLES ± -	CUSTOMER DRAWING		



Mouser Electronics

Authorized Distributor

Click to View Pricing, Inventory, Delivery & Lifecycle Information:

[TE Connectivity:](#)

[562A043-25/86-0](#)