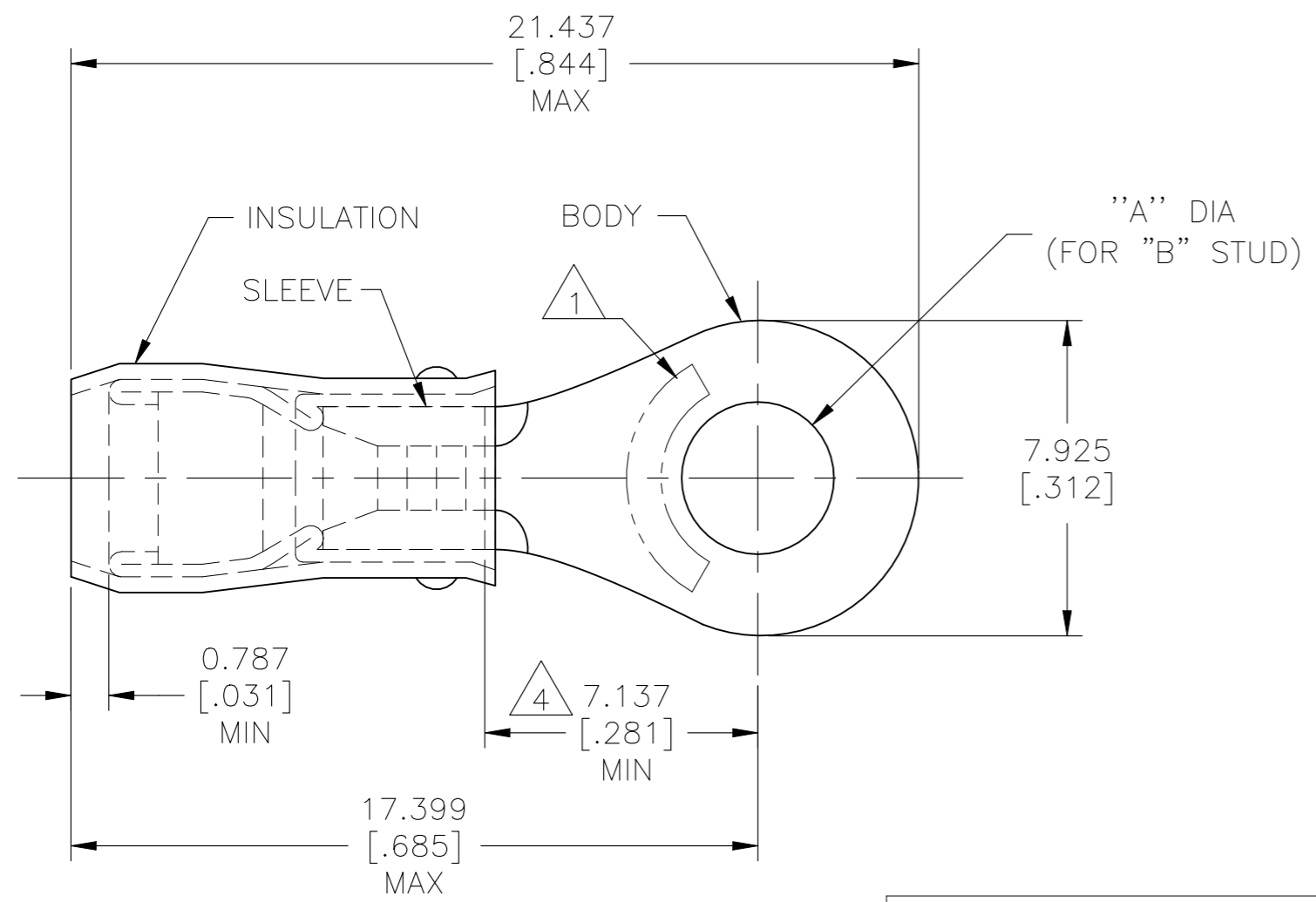


THIS DRAWING IS UNPUBLISHED. RELEASED FOR PUBLICATION
 © COPYRIGHT - By - ALL RIGHTS RESERVED.

REVISIONS				
P	LTR	DESCRIPTION	DATE	APVD
	AC5	REVISED PER ECN-22-156403	06JUN2022	RK CSD



AMP WIRE RANGE	E13288 Listed	LR7189 Certified
16-14 AWG SOLID OR STRANDED	16-14 AWG STRANDED	16-14 AWG SOLID OR STRANDED

- 1 STAMP AMP 16-14* APPROX AS SHOWN.
- 2 WIRE INSULATION : $\phi 2.669-3.810[\phi .105-.150]$.
- 3 BODY MATERIAL THK: $0.787\pm 0.051[.031\pm .002]$.
- 4 APPLIES FROM EDGE OF METAL WIRE BARREL TO CENTER OF STUD HOLE
- 5 UL LISTED
- 6 CSA CRETIFIED

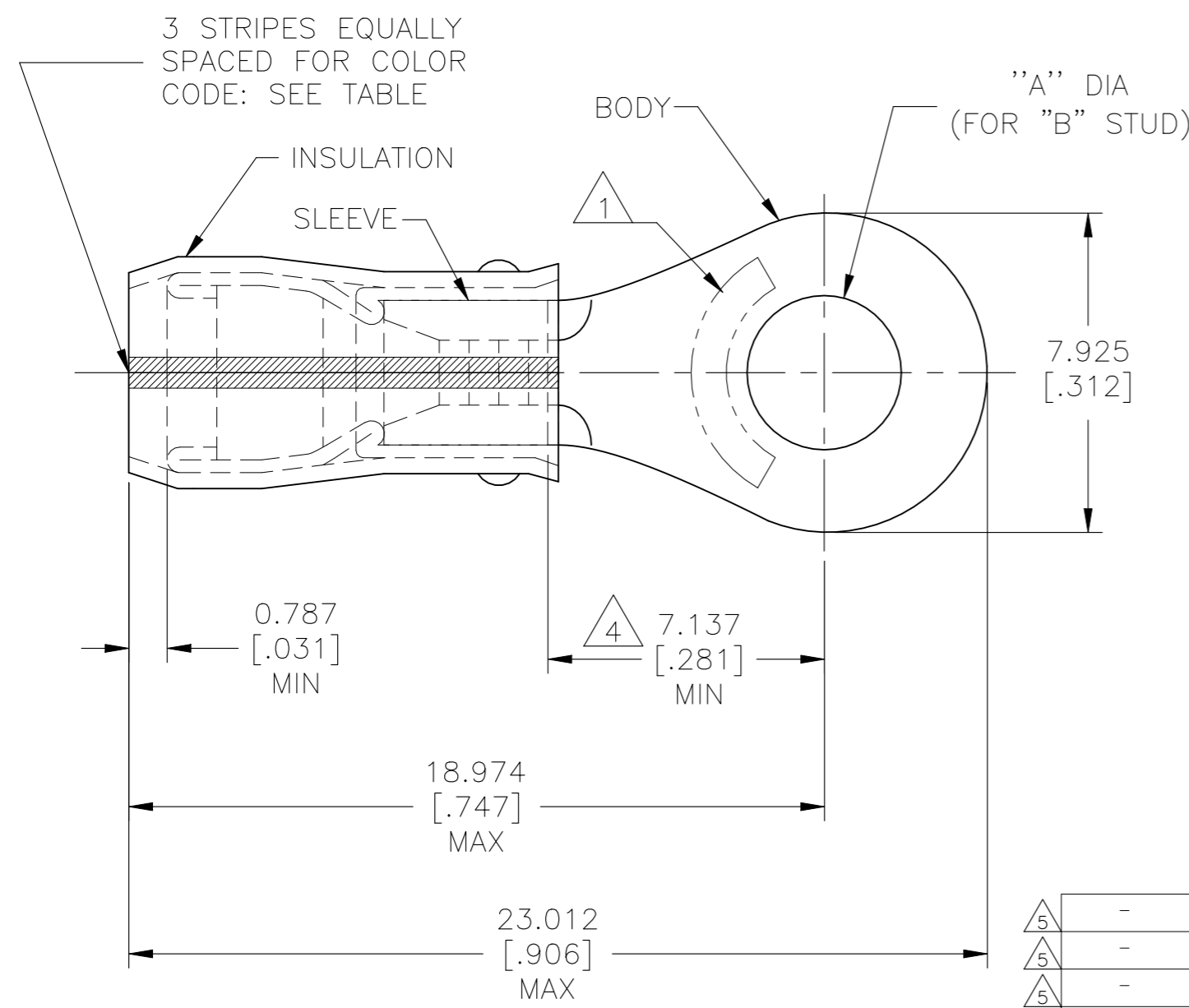
	-	[#10]	$5.004\pm 0.076[.197\pm .003]$	100	LOOSE PIECE, BOX	5-51864-1
	-	M4[#8]	$4.343\pm 0.076[.171\pm .003]$	100	LOOSE PIECE, BOX	4-51864-1
	-	M3.5[#6]	$3.683\pm 0.076[.145\pm .003]$	100	LOOSE PIECE, BOX	3-51864-1
	-	M4[#8]	$4.343\pm 0.076[.171\pm .003]$	5000	ON TAPE, REEL	51864-5
	-	[#10]	$5.004\pm 0.076[.197\pm .003]$	5000	ON TAPE, REEL	51864-4
	-	M3.5[#6]	$3.683\pm 0.076[.145\pm .003]$	5000	ON TAPE, REEL	51864-3
	MS25036-108 CLASS 1	[#10]	$5.004\pm 0.076[.197\pm .003]$	1000	LOOSE PIECE	51864-2
	MS25036-153 CLASS 1	M4[#8]	$4.343\pm 0.076[.171\pm .003]$	1000	LOOSE PIECE	51864-1
	MS25036-107 CLASS 1	M3.5[#6]	$3.683\pm 0.076[.145\pm .003]$	1000	LOOSE PIECE	51864
	MILITARY P/N AND CLASS	"B"	DIM "A"	QUANTITY	PACKAGE TYPE	PART NO

AMP INCORPORATED CUSTOMER SERVICE SYSTEMS		MAX RECOMMENDED OPERATING TEMPERATURE: 105°C[221°F] MAX	THIS DRAWING IS A CONTROLLED DOCUMENT.		DWN JR RUTH 27OCT99	TE Connectivity				
FOR ADDITIONAL PRODUCT INFORMATION OR COPIES OF DRAWINGS AND TECHNICAL DOCUMENTS	PRODUCT INFORMATION CENTER 1-800-522-6752	VOLTAGE RATING: 300 V MAX	DIMENSIONS: mm [INCHES]	TOLERANCES UNLESS OTHERWISE SPECIFIED:	CHK RE HERSEY 27OCT99		NAME C PRESNELL 27OCT99			
FOR APPLICATION TOOLING INFORMATION	TOOLING ASSISTANCE CENTER 1-800-722-1111	CIRCULAR MIL AREA: 1.04-2.62mm ² [2050-5180] CIR MILS SOLID OR STRANDED		0 PLC ± - 1 PLC ± - 2 PLC ± - 3 PLC ± 0.127[.005] 4 PLC ± - ANGLES ± -	APVD C PRESNELL 27OCT99	PRODUCT SPEC UL 486 A-B				
FOR ORDER ENTRY	1-800-526-5142		MATERIAL BODY & SLEEVE: COPPER PER ASTM B-152 INSULATION: NYLON	FINISH BODY & SLEEVE: TIN PLATE PER ASTM B545 INSULATION: COLOR-BLUE	APPLICATION SPEC 114-2157	WEIGHT -	SIZE A3	CAGE CODE 00779	DRAWING NO C-51864	RESTRICTED TO -
CUSTOMER DRAWING					SCALE NTS	SHEET 1 OF 2	REV AC5			

THIS DRAWING IS UNPUBLISHED. RELEASED FOR PUBLICATION
 © COPYRIGHT - By - ALL RIGHTS RESERVED.

REVISIONS				
P	LTR	DESCRIPTION	DATE	APVD
-	-	SEE SHEET 1	-	-

AMP WIRE RANGE	LR 7189 Certified
SEE TABLE STRANDED	WIRE SIZE PER TABLE STRANDED



- 1 STAMP AMP APPROX AS SHOWN SEE TABLE BELOW.
- 2 WIRE INSULATION : $\phi 1.600-3.302[\phi .063-.130]$ FOR 16 AWG, $\phi 1.981-3.302[\phi .078-.130]$ FOR 14 AWG.
- 3 BODY MATERIAL THK: $0.787 \pm 0.051[.031 \pm .002]$.
- 4 APPLIES FROM EDGE OF METAL WIRE BARREL TO CENTER OF STUD HOLE
- 5 CSA CERTIFIED

MILITARY P/N AND CLASS	STRIPE COLOR	STAMPING	WIRE SIZE	"B"	DIM "A"	QUANTITY	PACKAGE TYPE	PART NO
5 -	BLUE	16*	16	M3.5[#6]	3.683±0.076[.145±.003]	100	LOOSE PIECE, BOX	6-51864-1
5 -	GREEN	14*	14	M4[#8]	4.343±0.076[.171±.003]	5000	ON TAPE, REEL	1-51864-7
5 -	GREEN	14*	14	[#10]	5.004±0.076[.197±.003]	5000	ON TAPE, REEL	1-51864-5
5 -	BLUE	16*	16	[#10]	5.004±0.076[.197±.003]	5000	ON TAPE, REEL	1-51864-3
5 M7928/1-50 CLASS 1	GREEN	14*	14	M4[#8]	4.343±0.076[.171±.003]	1000	LOOSE PIECE	1-51864-1
5 M7928/1-41 CLASS 1	BLUE	16*	16	M4[#8]	4.343±0.076[.171±.003]	1000	LOOSE PIECE	1-51864-0
5 M7928/1-51 CLASS 1	GREEN	14*	14	[#10]	5.004±0.076[.197±.003]	1000	LOOSE PIECE	51864-9
5 M7928/1-49 CLASS 1	GREEN	14*	14	M3.5[#6]	3.683±0.076[.145±.003]	1000	LOOSE PIECE	51864-8
5 M7928/1-42 CLASS 1	BLUE	16*	16	[#10]	5.004±0.076[.197±.003]	1000	LOOSE PIECE	51864-7
5 M7928/1-40 CLASS 1	BLUE	16*	16	M3.5[#6]	3.683±0.076[.145±.003]	1000	LOOSE PIECE	51864-6

AMP INCORPORATED CUSTOMER SERVICE SYSTEMS		MAX RECOMMENDED OPERATING TEMPERATURE: 105°C[221°F] MAX	THIS DRAWING IS A CONTROLLED DOCUMENT.		DWN JR RUTH 27OCT99	TE Connectivity NAME: TERMINAL, RING TONGUE, I.R., PIDG™, WIRE SIZE, 16 & 14 AWG		
FOR ADDITIONAL PRODUCT INFORMATION OR COPIES OF DRAWINGS AND TECHNICAL DOCUMENTS	PRODUCT INFORMATION CENTER 1-800-522-6752	VOLTAGE RATING: 300 V MAX	DIMENSIONS: mm [INCHES]	TOLERANCES UNLESS OTHERWISE SPECIFIED:	CHK RE HERSEY 27OCT99			
FOR APPLICATION TOOLING INFORMATION	TOOLING ASSISTANCE CENTER 1-800-722-1111	WIRE RANGE: 16, 14	CIRC MIL AREA: 1.42mm² [2800], 2.15mm² [4234]	0 PLC ± - 1 PLC ± - 2 PLC ± - 3 PLC ± 0.127[.005] 4 PLC ± - ANGLES ± -	APVD C PRESNELL 27OCT99	APPLICATION SPEC	114-2157	RESTRICTED TO
FOR ORDER ENTRY	1-800-526-5142	STRANDED	MATERIAL: BODY & SLEEVE: COPPER PER ASTM B-152 INSULATION: NYLON	FINISH: BODY & SLEEVE: TIN PLATE PER ASTM B545 INSULATION: COLOR-BLUE	WEIGHT -	SIZE A3	CAGE CODE 00779	DRAWING NO C-51864
CUSTOMER DRAWING					SCALE NTS	SHEET 2 OF 2	REV AC5	

Mouser Electronics

Authorized Distributor

Click to View Pricing, Inventory, Delivery & Lifecycle Information:

TE Connectivity:

[51864-1](#) [51864-2](#) [51864-6](#) [51864-7](#) [51864-8](#) [51864-9](#) [M7928/1-51](#) [MS25036-108](#) [MS25036-153](#) [M7928/1-40](#)
[M7928/1-42](#)