

REVISIONS					
P	LTR	DESCRIPTION	DATE	DWN	APVD
	K	PRODUCTION ISSUE	30JAN2019	PNT	MT

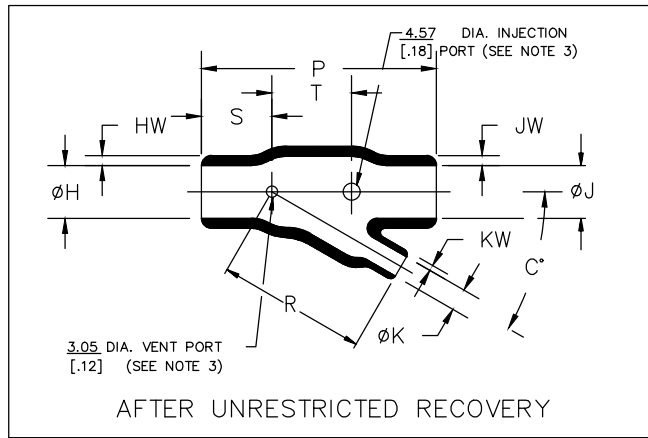
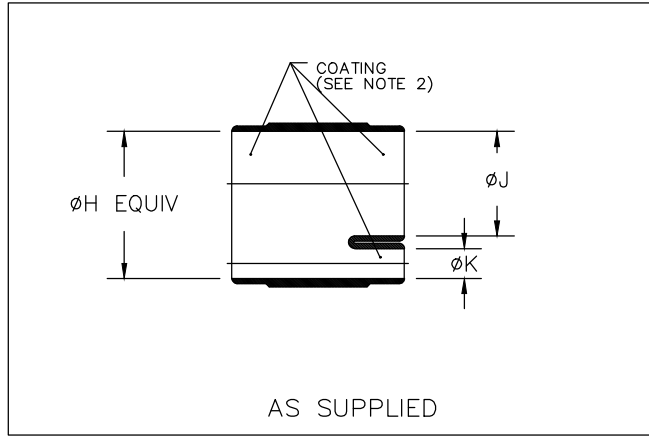


TABLE OF DIMENSIONS

PART NUMBER	H & J		K		P ±10% b	R ±10% b	S ±10% b	T ±10% b	HW ±20% b	JW ±20% b	KW ±20% b	C°	
	Min	Max	Min	Max								±10%	±5%
	a	b	a	b								a	b
362A014	30.5 [1.20]	15.7 [.62]	20.0 [.80]	10.7 [.42]	82.6 [3.25]	50.8 [2.00]	31.8 [1.25]	21.1 [.83]	2.5 [.10]	2.5 [.10]	1.8 [.07]	10	30
362A024	35.6 [1.40]	18.3 [.72]	15.2 [.60]	8.6 [.34]	63.5 [2.50]	41.1 [1.62]	19.1 [.75]	22.4 [.88]	2.5 [.10]	2.5 [.10]	1.5 [.06]	10	30
362A114	35.6 [1.40]	18.8 [.74]	10.2 [.40]	5.3 [.21]	61.0 [2.40]	35.6 [1.40]	19.1 [.75]	21.3 [.84]	2.8 [.11]	2.8 [.11]	1.5 [.06]	10	30

RELEASED FOR PUBLICATION

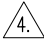
ALL RIGHTS RESERVED.

THIS DRAWING IS UNPUBLISHED.

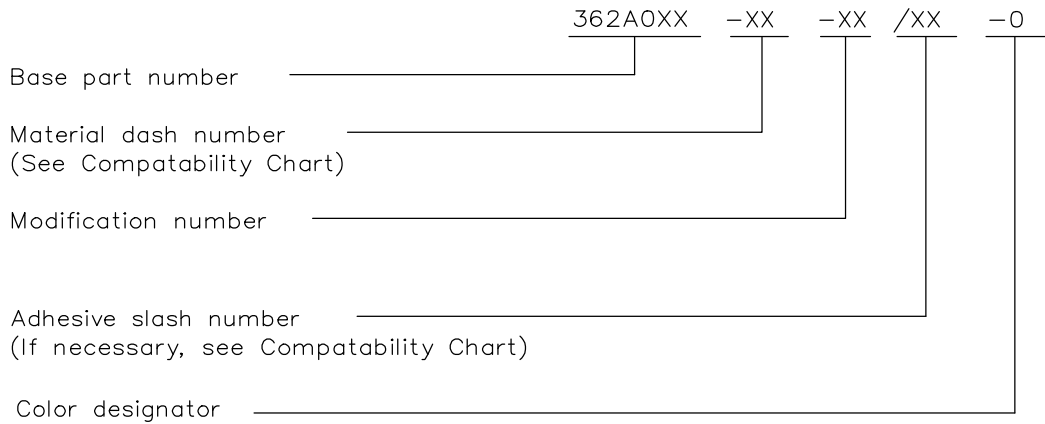
© COPYRIGHT - TE Connectivity Ltd.

DIMENSIONS: mm [INCHES]	DWN	30JAN2019	MATERIAL	SEE SHEET 2	FINISH	-		
	CHK	30JAN2019	TE Connectivity Ltd.					
TOLERANCES UNLESS OTHERWISE SPECIFIED:	APVD	30JAN2019						
	PRODUCT SPEC	-	NAME	TRANSITION, 30 DEGREES, SIDE BREAKOUT THINWALL				
0 PLC ± - 1 PLC ± - 2 PLC ± - 3 PLC ± - 4 PLC ± - ANGLES ± -	APPLICATION SPEC	-	SIZE	A4	CAGE CODE	00779		
	WEIGHT	-	DRAWING NO	G 362A014-XX-0THRU114-XX-0		RESTRICTED TO	-	
CUSTOMER DRAWING			SCALE	DNS	SHEET	1 OF 2	REV	K

REVISIONS					
P	LTR	DESCRIPTION	DATE	DWN	APVD
	-	SEE SHEET 1	-	-	-


COMPATABILITY CHART				
MATERIAL DASH NO.	MATERIAL DESCRIPTION	RT SPEC	COATING SLASH NO.	COATING S NO.
-3	Polyolefin, Semi-rigid	RT-301	/42; /86; /180	S1017;S1048;S1030
-4	Polyolefin, Flexible	RT-1304	/42; /86; /180	S1017;S1048;S1030
-12	Fluoroelastomer, Flexible	RT-1312	N/A	N/A
-25	Elastomer, Fluid Resistant	RW-2070	/42; /86; /225	S1017;S1048;S1206
-100	Polyolefin, Semi-flexible ZEROHAL	RW-2082	/86; /180 	S1048;S1030

ORDERING INFORMATION



NOTES


- Dimensions appearing in table are as follows:
  - a - As Supplied
  - b - After Unrestricted Recovery
- Coating is optional. As supplied dimensions appearing in table are for uncoated parts. When coating is added, entry diameters will be reduced by 1.5mm[.06]. max.
- Molding ports are optional. When -00 modification number is specified molding ports will be located as shown.

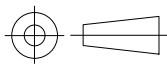
 /180 adhesive available only on 362A014.

THIS DRAWING IS UNPUBLISHED.

ALL RIGHTS RESERVED.

© COPYRIGHT - TE Connectivity Ltd.

DIMENSIONS: mm [INCHES]	DWN PRAVEEN N T 30JAN2019	MATERIAL -	FINISH -		
	CHK N NAGAR 30JAN2019	 TE Connectivity Ltd.			
TOLERANCES UNLESS OTHERWISE SPECIFIED:	APVD M TAYLOR 30JAN2019			NAME TRANSITION, 30 DEGREES, SIDE BREAKOUT THINWALL	
0 PLC ± -	PRODUCT SPEC	SIZE	CAGE CODE	DRAWING NO	RESTRICTED TO
1 PLC ± -	---	A4	00779	C- 362A014-XX-0THRU114-XX-0	-
2 PLC ± -	APPLICATION SPEC	CUSTOMER DRAWING			
3 PLC ± -	---	SCALE	DNS	SHEET	2 OF 2
4 PLC ± -	---	REV		K	
ANGLES ± -	WEIGHT				



# Mouser Electronics

Authorized Distributor

Click to View Pricing, Inventory, Delivery & Lifecycle Information:

[TE Connectivity:](#)

[362A114-25-0](#)