

NOTES

- ALL DIMENSIONS ARE IN  $\frac{\text{INCHES}}{[\text{MILLIMETERS}]}$
- DIMENSIONS APPEARING IN TABLE ARE AS FOLLOWS:
  - a - AS SUPPLIED
  - b - AFTER UNRESTRICTED RECOVERY
- COATING (ADHESIVE): IS OPTIONAL AS SUPPLIED DIMENSIONS APPEARING IN TABLE ARE FOR UNCOATED PARTS. WHEN COATING IS ADDED, ENTRY DIAMETER WILL BE REDUCED BY .06 MAX.
- MOLDING PORTS ARE OPTIONAL. WHEN -00 MODIFICATION NUMBER IS SPECIFIED MOLDING PORTS WILL BE LOCATED AS SHOWN.
- WEIGHT SHOWN IN TABLE OF DIMENSIONS IS BASED ON POLYOLEFIN PART.
- ORDERING INFORMATION

BASE PART NUMBER 341A015      -XX      -XX /XXX  
 MATERIAL DASH NUMBER \_\_\_\_\_  
 -3 POLYOLEFIN, SEMI RIGID (RT-301)  
 -4 POLYOLEFIN, FLEXIBLE (RT-1304)  
 -5 ELASTOMER, FLEXIBLE (RT-501)  
 -6 SILICONE (RT-602)  
 -12 FLUORO ELASTOMER, FLEXIBLE (RT-1312)  
 -25 ELASTOMER, FLUID RESISTANT (RT-1325)  
 -100 POLYOLEFIN, SEMI-FLEXIBLE ZEROHAL (RT-1323)  
 MODIFICATION NUMBER \_\_\_\_\_  
 ADHESIVE SLASH NUMBER \_\_\_\_\_  
 (SEE COMPATIBILITY CHART BELOW)

REVISIONS		
LTR	DESCRIPTION	DATE
G	ECO-08-031356	12/22/2008

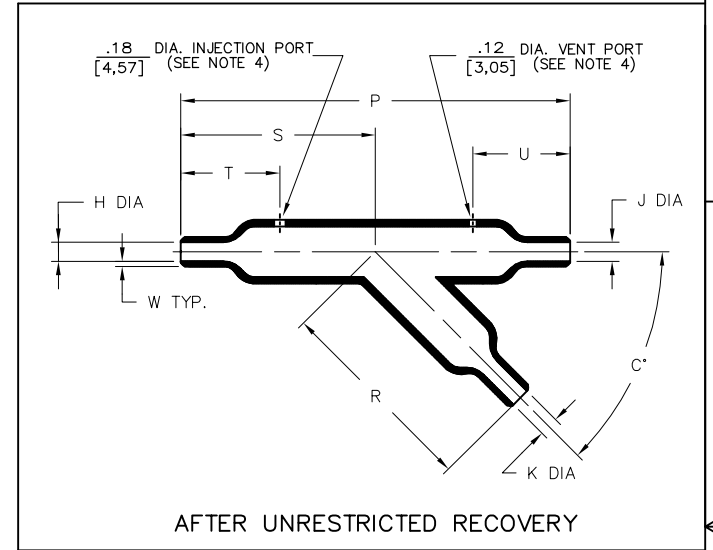
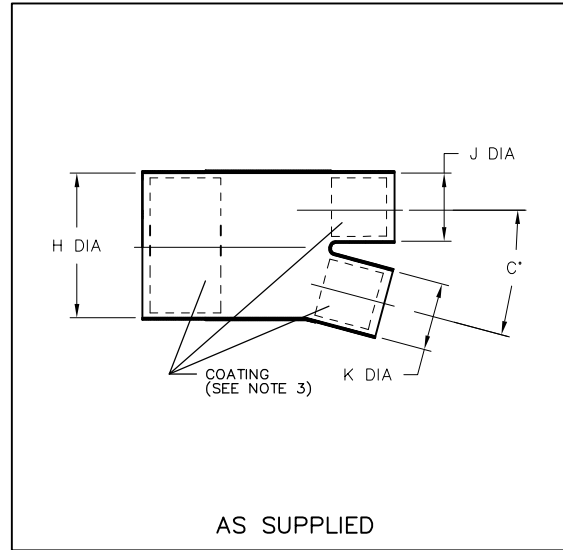


TABLE OF DIMENSIONS

PART NUMBER	H		J & K		P	R	S	T	U	W	C*		WEIGHT REF
	MIN	MAX	MIN	MAX	±10%	±10%	±10%	±10%	±10%	±20%	±10°	±5°	
	a	b	a	b	b	b	b	b	b	b	a	b	
341A015	1.12 [28,4]	.53 [13,5]	1.06 [26,9]	.53 [13,5]	5.91 [150,1]	3.16 [80,3]	2.76 [70,1]	1.53 [38,9]	1.50 [38,1]	.10 [2,5]	15°	45°	.270 [122,5]

COMPATIBILITY CHART

MATERIAL DASH NO.	ADHESIVE (COATING) SLASH NO.	ADHESIVE (COATING) S NO.
-3	/42; /86	S-1017; S-1048
-4	/42; /86	S-1017; S-1048
-5	/42	S-1017
-6	N/A	N/A
-12	N/A	N/A
-25	/42; /86	S-1017; S-1048
-100	/86	S-1048

If this document is printed it becomes uncontrolled. Check for the latest revision

CUSTOMER DRAWING

UNLESS OTHERWISE SPECIFIED DIMENSIONS ARE INCHES. METRIC DIMENSIONS ARE IN BRACKETS. DECIMAL TOLERANCES .XXX ± 0.005 [0.13 mm] .XX ± 0.01 [0.25 mm] .X ± 0.1 [0.50 mm] ANGLE TOLERANCE .X ± 1 DEG. TYCO ELECTRONICS RESERVES THE RIGHT TO AMEND THIS DRAWING AT ANY TIME. USERS SHOULD EVALUATE THE SUITABILITY OF THE PRODUCT FOR THEIR APPLICATION. © 2001-2008 Tyco Electronics Corporation. All rights reserved.	DRAWN YUNGUYEN	APPROVED JKUSTER	Raychem Molded Parts 305 Constitution Dr Menlo Park, CA 94025
	TITLE TRANSITION, 45 DEGREE, SIDE BREAKOUT		
THIRD ANGLE PROJECTION		CODE IDENT. NO. 06090	DWG. NO. 341A015
DO NOT SCALE THIS DRAWING		SHEET 1 OF 1	

# Mouser Electronics

Authorized Distributor

Click to View Pricing, Inventory, Delivery & Lifecycle Information:

[TE Connectivity:](#)

[341A015-3-00-0](#) [341A015-3/42-0](#) [341A015-25-0](#) [341A015-4-0](#) [341A015-4/86-0](#) [341A015-5-0](#) [341A015-100/86-0](#)