

REVISIONS					
P	LTR	DESCRIPTION	DATE	DWN	APVD
V		PRODUCTION ISSUE	29JAN2019	PNT	MT

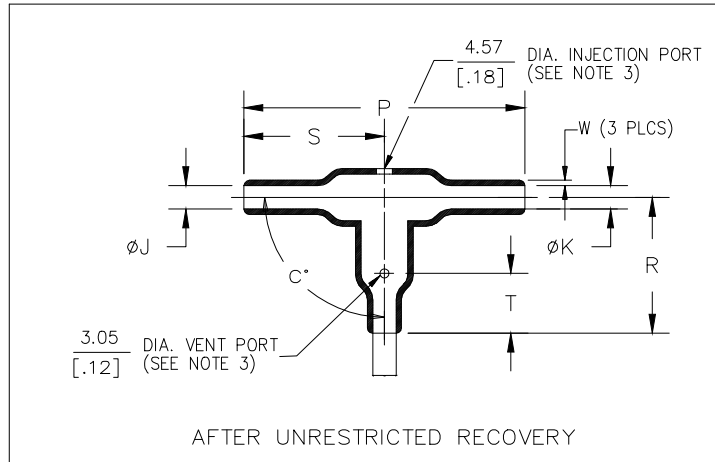
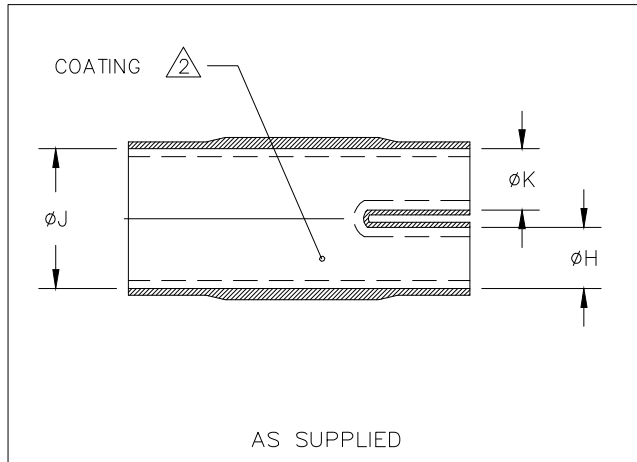


TABLE OF DIMENSIONS								
PART NUMBER	H, J & K		P	R	S	T	W	Weight Nom lb/[gms] b
	Min a	Max b	$\pm 10\%$ b	$\pm 10\%$ b	$\pm 10\%$ b	$\pm 10\%$ b	$\pm 30\%$ b	
301A011	$\frac{6.6}{[.26]}$	$\frac{3.6}{[.14]}$	$\frac{29.7}{[1.17]}$	$\frac{14.7}{[.58]}$	$\frac{15.1}{[.59]}$	N/A	$\frac{1.0}{[.04]}$	$\frac{0.9}{[.002]}$
301A022	$\frac{13.2}{[.52]}$	$\frac{6.9}{[.27]}$	$\frac{58.7}{[2.31]}$	$\frac{29.5}{[1.16]}$	$\frac{29.5}{[1.16]}$	$\frac{17.5}{[.69]}$	$\frac{1.5}{[.06]}$	$\frac{4.1}{[.009]}$
301A034	$\frac{26.9}{[1.06]}$	$\frac{13.5}{[.53]}$	$\frac{120.1}{[4.73]}$	$\frac{60.0}{[2.36]}$	$\frac{60.2}{[2.37]}$	$\frac{35.6}{[1.40]}$	$\frac{2.3}{[.09]}$	$\frac{31.3}{[.069]}$
301A048	$\frac{55.6}{[2.19]}$	$\frac{30.2}{[1.19]}$	$\frac{246.4}{[9.70]}$	$\frac{123.2}{[4.85]}$	$\frac{123.2}{[4.85]}$	$\frac{70.9}{[2.79]}$	$\frac{3.0}{[.12]}$	$\frac{253.1}{[.558]}$

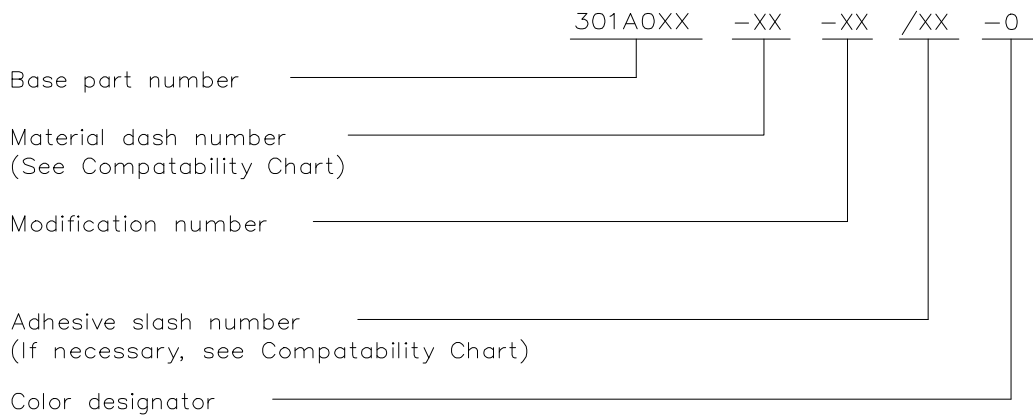
THIS DRAWING IS UNPUBLISHED. ALL RIGHTS RESERVED. COPYRIGHT - TE Connectivity Ltd.

DIMENSIONS: mm [INCHES]	DWN	29JAN2019	MATERIAL	SEE SHEET 2	FINISH	-
	CHK	29JAN2019	TE Connectivity Ltd.			
TOLERANCES UNLESS OTHERWISE SPECIFIED:	APVD	29JAN2019				
0 PLC $\pm -$ 1 PLC $\pm 0.50[.1]$ 2 PLC $\pm 0.25[.01]$ 3 PLC $\pm 0.13[.005]$ 4 PLC $\pm -$ ANGLES $\pm 1^{\circ}$	PRODUCT SPEC	-	NAME	TRANSITION,T		
	APPLICATION SPEC	-	SIZE	CAGE CODE	DRAWING NO	RESTRICTED TO
WEIGHT	A4 00779		C=	301A0XX-XX-0		-
CUSTOMER DRAWING			SCALE	DNS	SHEET	1 OF 2
					REV	V

REVISIONS					
P	LTR	DESCRIPTION	DATE	DWN	APVD
	-	SEE SHEET 1	-	-	-

COMPATABILITY CHART				
MATERIAL DASH NO.	MATERIAL DESCRIPTION	RT SPEC	COATING SLASH NO.	COATING S NO.
-3	Polyolefin, Semi-rigid	RT-301	/42;/86;/180	S1017;S1048;S1030
-4	Polyolefin, Flexible	RT-1304	/42;/86;/180	S1017;S1048;S1030
-12	Fluoroelastomer, Flexible	RT-1312	N/A	N/A
-25	Elastomer, Fluid Resistant	RW-2070	/42;/86;/225	S1017;S1048;S1206
-100	Polyolefin, Simi-Flexible ZEROHAL	RW-2082	/86;/180	S1048;S1030


ORDERING INFORMATION

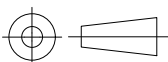


NOTES:

- Dimensions appearing in table are as follows:
 - a - As Supplied
 - b - After Unrestricted Recovery
- Coating is optional. As supplied dimensions appearing in table are for uncoated parts. When coating is added, entry diameters will be reduced by 1.5mm[.06]max.
- Molding ports are optional. When -00 modification number is specified molding ports will be located as shown.
On size 301A011 the 3.05[.12] diameter vent port will be eliminated, and the 4.57[.18] diameter injection port will be decreased to $\frac{2.29}{.09}$
- Weight appearing in table of dimensions is based on polyolefin part.

THIS DRAWING IS UNPUBLISHED. ALL RIGHTS RESERVED. TE Connectivity Ltd. COPYRIGHT

DIMENSIONS: mm [INCHES]	DWN PRAVEEN N T 29JAN2019	MATERIAL -	FINISH -
	CHK N NAGAR 29JAN2019	 TE Connectivity Ltd.	
TOLERANCES UNLESS OTHERWISE SPECIFIED:	APVD M TAYLOR 29JAN2019		
0 PLC ± -	PRODUCT SPEC -	SIZE A4	RESTRICTED TO -
1 PLC ± 0.50[.1]	APPLICATION SPEC -	CAGE CODE 00779	DRAWING NO 301A0XX-XX-0
2 PLC ± 0.25[.01]	WEIGHT	DRAWING NO	
3 PLC ± 0.13[.005]		SCALE DNS	SHEET 2 OF 2
4 PLC ± -		CUSTOMER DRAWING	REV V
ANGLES ± 1°			



Mouser Electronics

Authorized Distributor

Click to View Pricing, Inventory, Delivery & Lifecycle Information:

[TE Connectivity:](#)

[301A034-3/86-0](#)