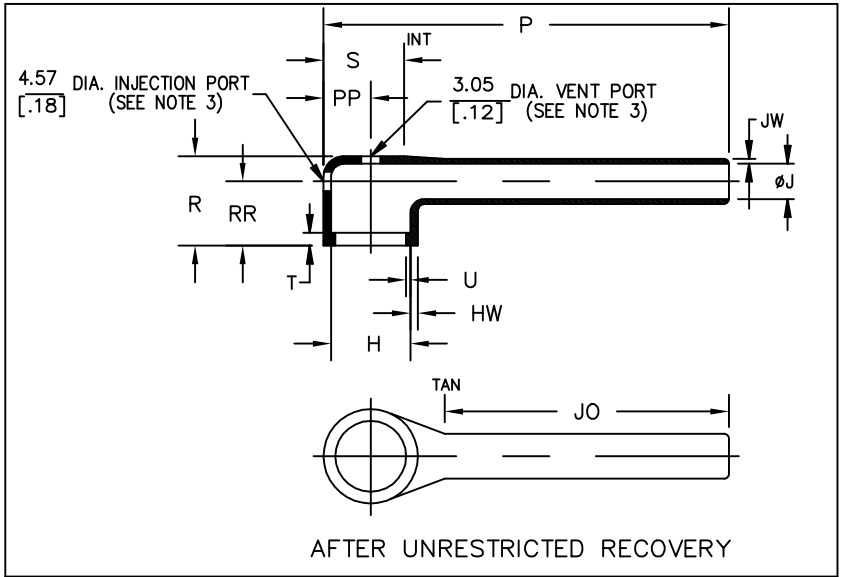
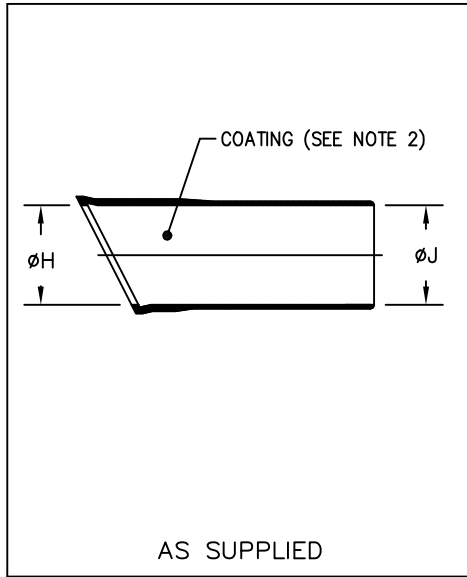


REVISIONS					
P	LTR	DESCRIPTION	DATE	DWN	APVD
	S	PRODUCTION ISSUE	25JAN2019	PNT	MT


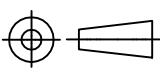


PART NUMBER	H		J		P ±10%	R Ref	S Ref	T Ref	U Ref	JO ±10%	PP ±10%	RR ±10%	HW ±20%	JW ±20%	Weight Nom lb/[gms]
	Min	Max	Min	Max											
	a	b	-3,-4, -25 a	-12,-100 b											
222D211	22.4 [.88]	11.4 [.45]	22.4 [.88]	14.0 [.55]	105.2 [4.14]	18.5 [.73]	11.9 [.47]	3.05 [.12]	1.02 [.04]	87.6 [3.45]	6.9 [.27]	12.4 [.49]	1.52 [.06]	1.14 [.045]	5.0 [.01]
222D221	25.7 [1.01]	15.0 [.59]	25.7 [1.01]	16.0 [.63]	124.0 [4.88]	19.8 [.78]	15.2 [.60]	3.05 [.12]	1.02 [.04]	99.1 [3.90]	8.4 [.33]	15.0 [.59]	1.52 [.06]	1.14 [.045]	9.0 [.02]
222D232	29.5 [1.16]	18.8 [.74]	29.5 [1.16]	18.3 [.72]	146.3 [5.76]	20.8 [.82]	19.1 [.75]	3.05 [.12]	1.02 [.04]	114.3 [4.50]	10.4 [.41]	15.5 [.61]	1.78 [.07]	1.14 [.045]	9.0 [.02]
222D242	34.0 [1.34]	22.9 [.90]	34.0 [1.34]	21.3 [.84]	172.2 [6.78]	21.8 [.86]	22.9 [.90]	3.05 [.12]	1.02 [.04]	132.6 [5.22]	12.2 [.48]	15.7 [.62]	1.78 [.07]	1.14 [.045]	14.0 [.03]
222D253	37.3 [1.47]	29.5 [1.16]	37.3 [1.47]	23.1 [.91]	185.2 [7.29]	24.4 [.96]	29.2 [1.15]	3.05 [.12]	1.65 [.065]	143.8 [5.66]	15.5 [.61]	17.8 [.70]	2.03 [.08]	1.14 [.045]	14.0 [.03]
222D263	43.7 [1.72]	34.0 [1.34]	43.7 [1.72]	27.2 [1.07]	213.6 [8.41]	27.4 [1.08]	33.5 [1.32]	3.05 [.12]	1.65 [.065]	169.2 [6.66]	18.3 [.72]	19.8 [.78]	2.03 [.08]	1.14 [.045]	24.0 [.05]
222D274	50.0 [1.97]	41.1 [1.62]	50.0 [1.97]	31.5 [1.24]	224.5 [8.84]	29.5 [1.16]	40.4 [1.59]	3.05 [.12]	1.65 [.065]	173.2 [6.82]	21.1 [.83]	20.8 [.82]	2.29 [.09]	1.40 [.055]	46.0 [.10]
222D285	62.7 [2.47]	47.0 [1.85]	62.7 [2.47]	39.1 [1.54]	227.3 [8.95]	33.3 [1.31]	46.0 [1.81]	3.05 [.12]	2.03 [.08]	168.1 [6.62]	24.1 [.95]	23.4 [.92]	2.54 [.10]	1.40 [.055]	46.0 [.10]
222D296	69.3 [2.73]	59.7 [2.35]	69.3 [2.73]	43.2 [1.70]	233.4 [9.19]	35.1 [1.38]	57.9 [2.28]	3.05 [.12]	2.03 [.08]	157.2 [6.19]	30.0 [1.18]	23.6 [.93]	2.54 [.10]	1.40 [.055]	46.0 [.10]
222D299	81.8 [3.22]	67.1 [2.64]	81.8 [3.22]	51.1 [2.01]	237.0 [9.33]	44.5 [1.75]	64.8 [2.55]	3.05 [.12]	2.03 [.08]	151.1 [5.95]	33.3 [1.31]	31.2 [1.23]	2.54 [.10]	1.40 [.055]	48.0 [.11]

THIS DRAWING IS UNPUBLISHED.

ALL RIGHTS RESERVED.

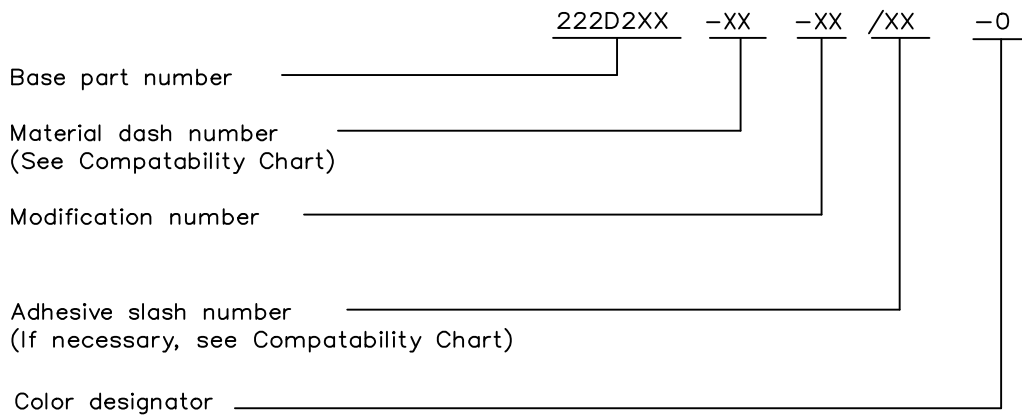
COPYRIGHT - TE Connectivity Ltd.

DIMENSIONS: mm [INCHES]	DWN	25JAN2019	MATERIAL	SEE SHEET 2	FINISH	-	
	CHK	N NAGAR	25JAN2019	 TE Connectivity Ltd.			
TOLERANCES UNLESS OTHERWISE SPECIFIED:	APVD	M TAYLOR	25JAN2019				
0 PLC ± -	PRODUCT SPEC	NAME BOOT, 90 DEGREE, WITH LIP					
1 PLC ± -							
2 PLC ± -	APPLICATION SPEC	SIZE A4					
3 PLC ± -							
4 PLC ± -		CAGE CODE	00779	DRAWING NO	RESTRICTED TO		
ANGLES ± -	WEIGHT	C= 222D211-XX-0THRU299-XX-0					
	CUSTOMER DRAWING	SCALE	DNS	SHEET	1 of 2	REV	S

REVISIONS					
P	LTR	DESCRIPTION	DATE	DWN	APVD
	-	SEE SHEET 1	-	-	-

COMPATABILITY CHART				
MATERIAL DASH NO.	MATERIAL DESCRIPTION	RT SPEC	COATING SLASH NO.	COATING S NO.
-3	Polyolefin, Semi-rigid	RT-301	/42;/86;/180	S1017;S1048;S1030
-4	Polyolefin, Flexible	RT-1304	/42;/86;/180	S1017;S1048;S1030
-12	Fluoroelastomer, Flexible	RT-1312	N/A	N/A
-25	Elastomer, Fluid Resistant	RW-2070	/42;/86;/225	S1017;S1048;S1206
-100	Polyolefin, Semi-flexible ZEROHAL	RW-2082	/86;/180	S1048;S1030

ORDERING INFORMATION



NOTES

- Dimensions appearing in table are as follows:
 - a - As Supplied
 - b - After Unrestricted Recovery
- Coating is optional. As supplied dimensions appearing in table are for uncoated parts. When coating is added, entry diameters will be reduced by 1.5mm[.06] max.
- Molding ports are optional. When -00 modification number is specified molding ports will be located as shown.
- Weight shown in table of dimensions is based on polyolefin part.

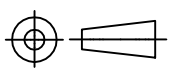
RELEASED FOR PUBLICATION

ALL RIGHTS RESERVED.

THIS DRAWING IS UNPUBLISHED.

© COPYRIGHT - TE Connectivity Ltd.

DIMENSIONS: mm [INCHES]	DWN	28JAN2019	MATERIAL	-	FINISH	-					
	CHK	28JAN2019	TE Connectivity Ltd.								
TOLERANCES UNLESS OTHERWISE SPECIFIED:	PRAVEEN N T						NAME BOOT, 90 DEGREE, WITH LIP				
	N NAGAR										
	APVD		28JAN2019	SIZE	CAGE CODE	DRAWING NO					RESTRICTED TO
	M TAYLOR			A4	00779	©= 222D211-XX-0THRU299-XX-0					-
0 PLC	± -	PRODUCT SPEC	CUSTOMER DRAWING								
1 PLC	± -	---									
2 PLC	± -	---									
3 PLC	± -	APPLICATION SPEC	SCALE DNS SHEET 2 of 2 REV S								
4 PLC	± -	---									
ANGLES	± -	WEIGHT									



Mouser Electronics

Authorized Distributor

Click to View Pricing, Inventory, Delivery & Lifecycle Information:

[TE Connectivity:](#)

[222D242-25/86-0](#)