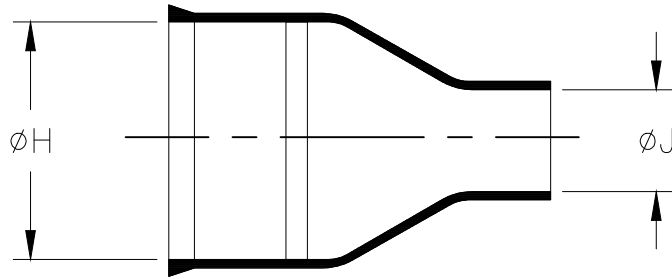
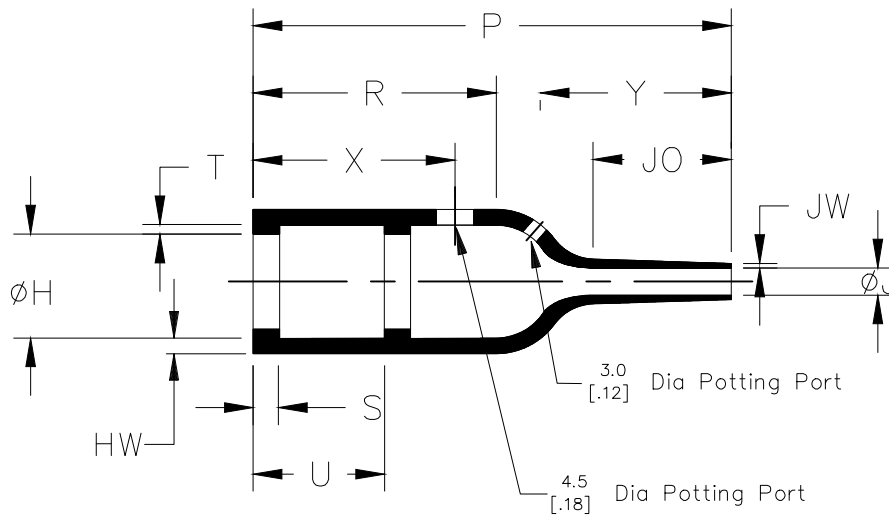


REVISIONS					
P	LTR	DESCRIPTION	DATE	DWN	APVD
	6	PRODUCTION ISSUE	31JAN2019	PNT	MT

a) Part as supplied.



b) Part after unrestricted recovery.



DIMENSIONS in millimetres  
[in inches, for reference]

Part No.	H		J		P	R	S	T	U	JO	HW	JW	X	Y
	Min a	Max b	Min a	Max b	±10% b	±10% b	±10% b	±10% b	±10% b	±10% b	±20% b	±20% b	±20% b	±20% b
202K232	25 [.98]	13.8 [.54]	8.0 [.31]	3.3 [.13]	55 [2.17]	28 [1.10]	3.0 [.12]	1.0 [.04]	15 [.59]	16 [.63]	1.8 [.07]	0.5 [.02]	24 [.94]	23 [.90]




RELEASED FOR PUBLICATION

ALL RIGHTS RESERVED.

TE Connectivity Ltd.

COPYRIGHT

THIS DRAWING IS UNPUBLISHED.

DIMENSIONS: mm [INCHES]	DWN	31JAN2019	MATERIAL	SEE SHEET 2	FINISH	-		
	CHK	31JAN2019	 TE Connectivity Ltd.					
TOLERANCES UNLESS OTHERWISE SPECIFIED:	N NAGAR	31JAN2019						
	APVD	31JAN2019	NAME	MOULDED BOOT, STRAIGHT, WITH LIP				
0 PLC ± - 1 PLC ± - 2 PLC ± - 3 PLC ± - 4 PLC ± - ANGLES ± -	PRODUCT SPEC	-	SIZE	A4	CAGE CODE	00779		
	APPLICATION SPEC	-	DRAWING NO	C-202K232-XX-0		RESTRICTED TO	-	
 	WEIGHT	-	CUSTOMER DRAWING			SCALE	DNS	
				SHEET	1	OF	2	REV

REVISIONS					
P	LTR	DESCRIPTION	DATE	DWN	APVD
	-	SEE SHEET 1	-	-	-

## COMPATIBILITY CHART

Material Dash Number	Material Description	RT Spec	Coating Slash No.	Coating S No.
-3	POLYOLEFIN, SEMI-RIGID	RT-301	/42, /86, /180	S1017; S1048; S1030
-4	POLYOLEFIN, FLEXIBLE	RT-1304	/42, /86, /180	S1017; S1048; S1030
-12	FLUROELASTOMER, FLEXIBLE	RT-1312	N/A	N/A
-25	ELASTOMER, FLUID RESISTANT	RW-2070	/42, /86, /225	S1017; S1048; S1206

## Ordering Information

202K232-XX/XX-0

- Color designator
- Adhesive Slash Number (if required see compatibility chart)
- Material Dash Number (see compatibility chart)
- Base Part Number

### NOTES

- 1) As supplied dimensions are for uncoated parts, when coating is added entry diameters will reduce by 1.5mm[.06]max.
- 2) Potting Ports are optional, when specified by suffix "-00" they will be located as shown.

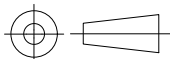
RELEASED FOR PUBLICATION

ALL RIGHTS RESERVED.

© COPYRIGHT - TE Connectivity Ltd.

THIS DRAWING IS UNPUBLISHED.

DIMENSIONS: mm [INCHES]	DWN PRAVEEN N T	31JAN2019	MATERIAL SEE SHEET 2	FINISH -	
	CHK N NAGAR	31JAN2019	<b>TE</b> TE Connectivity Ltd.		
TOLERANCES UNLESS OTHERWISE SPECIFIED:	APVD M TAYLOR	31JAN2019			NAME MOULDED BOOT, STRAIGHT, WITH LIP
	0 PLC ± -	PRODUCT SPEC -	SIZE A4	CAGE CODE 00779	DRAWING NO G-202K232-XX-0
1 PLC ± -	APPLICATION SPEC -	WEIGHT	CUSTOMER DRAWING		
2 PLC ± -			SCALE DNS	SHEET 2 OF 2	REV 6
3 PLC ± -					
4 PLC ± -					
ANGLES ± -					



# Mouser Electronics

Authorized Distributor

Click to View Pricing, Inventory, Delivery & Lifecycle Information:

[TE Connectivity:](#)

[202K232-25/86-0](#)