

REVISIONS				
P	LTR	DESCRIPTION	DATE	APVD
U		PRODUCTION ISSUE	18JAN2019	PNT MT

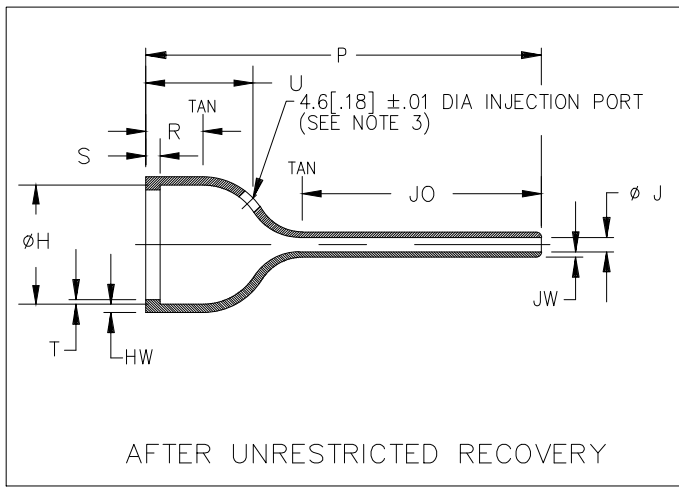
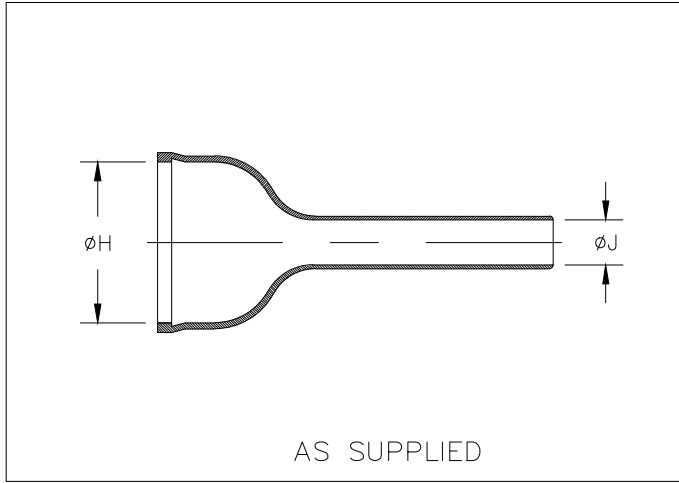


TABLE OF DIMENSIONS

PART NUMBER	H		J			P ±10%	R Ref	S Ref	T Ref	U ±10%	JO ±10%	HW ±20%	JW ±20%
	Min	Max	Min -3,-4, -25 a	Min -12, -100 a	Max								
202D921	19.3 [.76]	13.0 [.51]	6.3 [.25]	4.5 [.18]	2.1 [.08]	60.2 [2.37]	11.7 [.46]	3.0 [.12]	1.0 [.04]	15.7 [.62]	37.6 [1.48]	1.5 [.06]	1.14 [.045]
202D932	26.1 [1.03]	19.1 [.75]	7.6 [.30]	5.5 [.22]	2.6 [.10]	74.2 [2.92]	12.2 [.48]	3.0 [.12]	1.0 [.04]	20.3 [.80]	45.0 [1.77]	1.8 [.07]	1.14 [.045]
202D953	34.2 [1.35]	26.0 [1.02]	9.6 [.38]	6.6 [.26]	3.1 [.12]	84.3 [3.32]	12.2 [.48]	3.0 [.12]	1.0 [.04]	20.9 [.90]	51.1 [2.01]	1.8 [.07]	1.14 [.045]
202D963	43.6 [1.72]	34.1 [1.34]	11.4 [.45]	7.8 [.31]	3.6 [.14]	99.6 [3.92]	12.2 [.48]	3.0 [.12]	1.65 [.065]	26.2 [1.03]	57.7 [2.27]	1.8 [.07]	1.14 [.045]

THIS DRAWING IS UNPUBLISHED. ALL RIGHTS RESERVED.

COPYRIGHT - TE Connectivity Ltd.

DIMENSIONS: mm [INCHES]	DWN	18JAN2019	MATERIAL	SEE SHEET 2	FINISH	-
	CHK	18JAN2019	TE Connectivity Ltd.			
TOLERANCES UNLESS OTHERWISE SPECIFIED:	APVD	18JAN2019				
0 PLC ± - 1 PLC ± - 2 PLC ± - 3 PLC ± - 4 PLC ± - ANGLES ± -	PRODUCT SPEC	-	NAME	BOOT, STRAIGHT		
	APPLICATION SPEC	-	SIZE	CAGE CODE	DRAWING NO	RESTRICTED TO
	WEIGHT	A4	00779	202D921-XX-0THRU963-XX-0		-
	CUSTOMER DRAWING	SCALE	DNS	SHEET	1 OF 2	REV U

REVISIONS					
P	LTR	DESCRIPTION	DATE	DWN	APVD
	-	SEE SHEET 1	-	-	-

COMPATABILITY CHART				
MATERIAL DASH NO.	MATERIAL DESCRIPTION	RT SPEC	COATING SLASH NO.	COATING S NO.
-3	Polyolefin, Semi-rigid	RT-301	/42;/86;/180	S1017;S1048;S1030
-4	Polyolefin, Flexible	RT-1304	/42;/86;/180	S1017;S1048;S1030
-12	Fluoroelastomer, Flexible	RT-1312	N/A	N/A
-25	Elastomer, Fluid Resistant	RW-2070	/42;/86;/225	S1017;S1048;S1206
-100	Polyolefin, Semi-flexible ZEROHAL	RW-2082	/86;/180	S1048,S1030

ORDERING INFORMATION

Base part number _____ 202D9XX -XX -XX /XX -0
 Material dash number _____
 (See Compatability Chart)
 Modification number _____
 Adhesive slash number _____
 (If necessary, see Compatability Chart)
 Color Designator _____


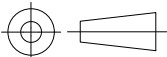
NOTES

- Dimensions appearing in table are as follows:
 - a - As Supplied
 - b - After Unrestricted Recovery
- Coating is optional. As supplied dimensions appearing in table are for uncoated parts. When coating is added, entry diameters will be reduced by 1.5mm[.06] max.
- Molding port is optional. When -00 modification number is specified molding port will be located as shown.

RELEASED FOR PUBLICATION

ALL RIGHTS RESERVED.

© COPYRIGHT - TE Connectivity Ltd.

DIMENSIONS: mm [INCHES]	DWN PRAVEEN N T 18JAN2019	MATERIAL -	FINISH -
	CHK N NAGAR 18JAN2019	 TE Connectivity Ltd.	
TOLERANCES UNLESS OTHERWISE SPECIFIED:	APVD M TAYLOR 18JAN2019		
0 PLC ± -	PRODUCT SPEC -	SIZE A4	CAGE CODE 00779
1 PLC ± -	APPLICATION SPEC -	DRAWING NO G-202D921-XX-0THRU963-XX-0	RESTRICTED TO -
2 PLC ± -	WEIGHT	SCALE DNS	
3 PLC ± -		SHEET 2 OF 2	
4 PLC ± -		REV U	
ANGLES ± -	CUSTOMER DRAWING		

Mouser Electronics

Authorized Distributor

Click to View Pricing, Inventory, Delivery & Lifecycle Information:

[TE Connectivity:](#)

[202D921-4-0](#)