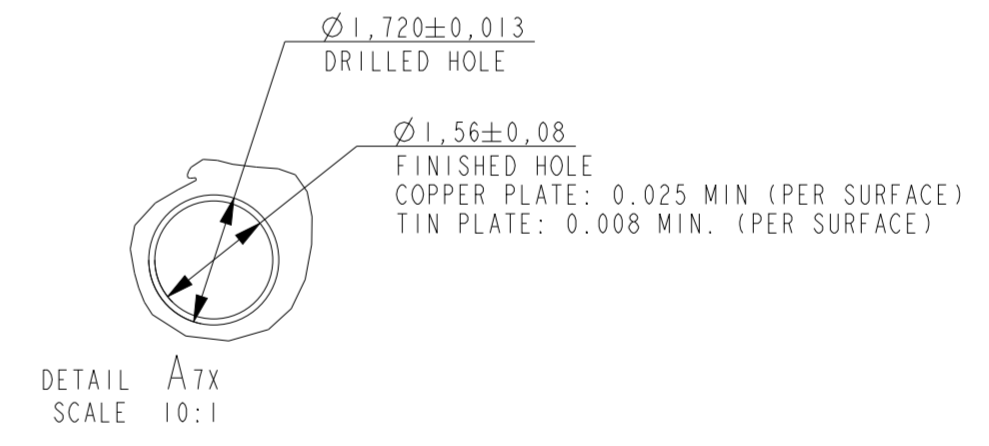
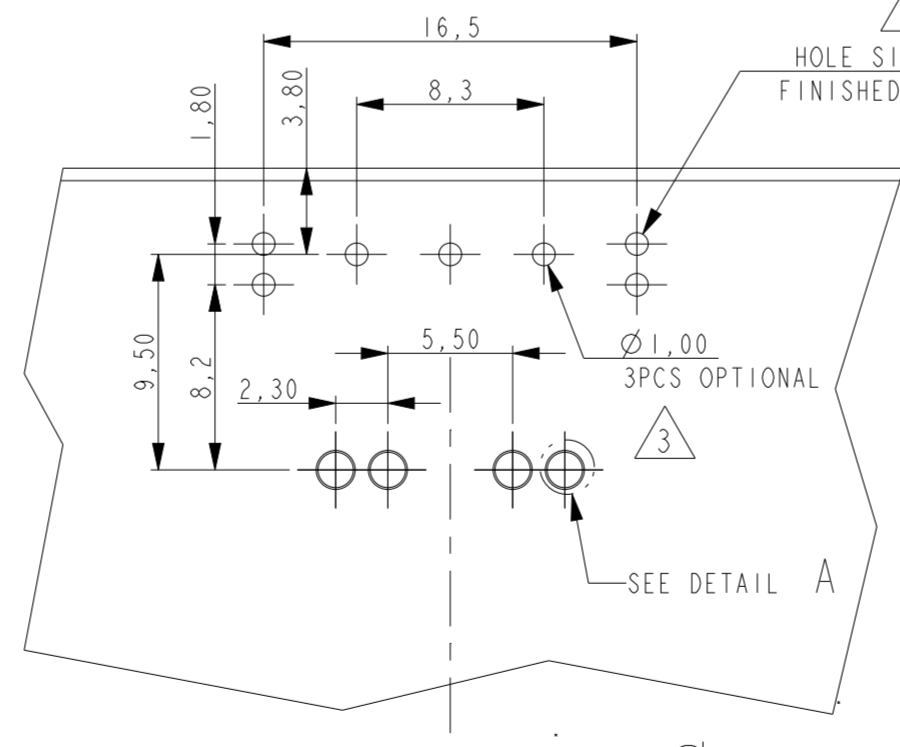
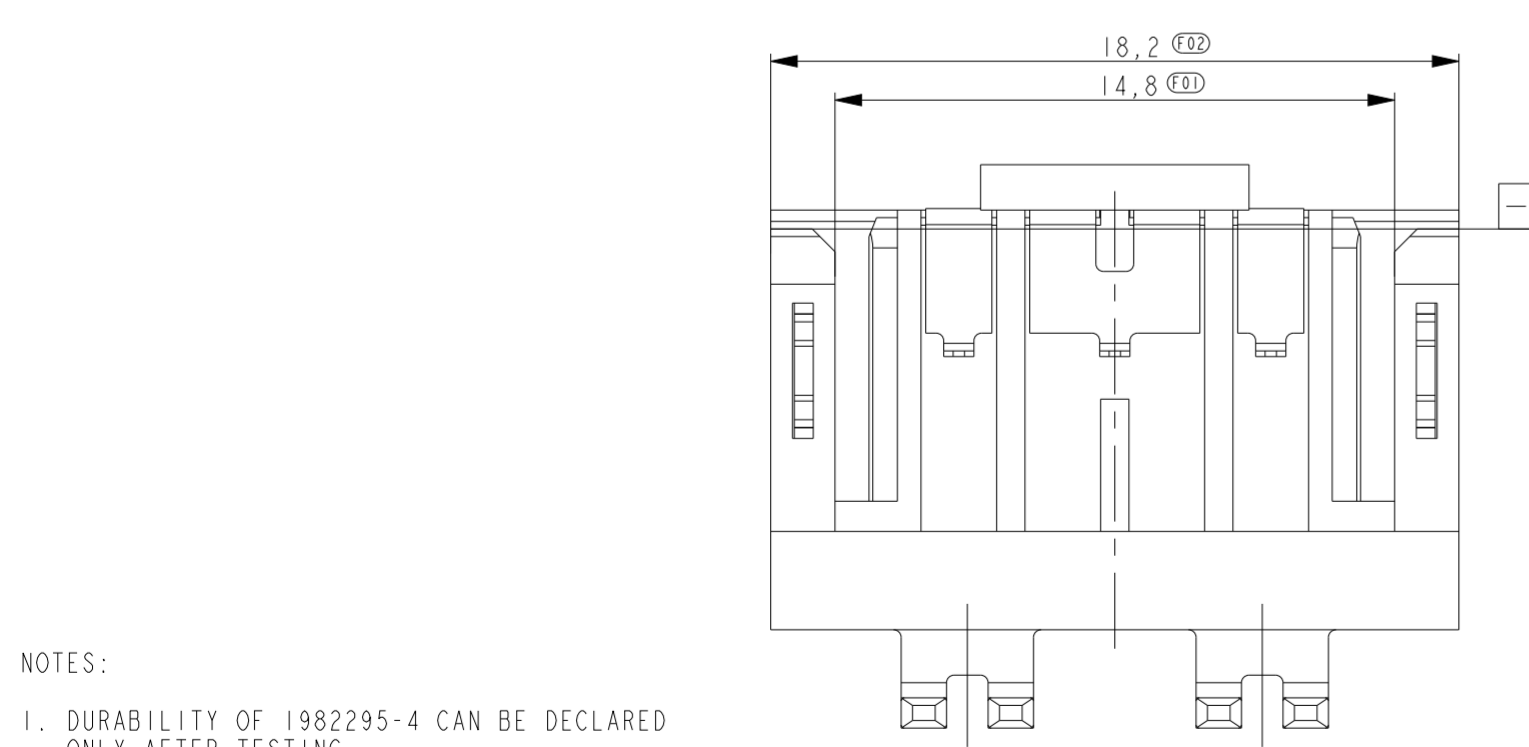
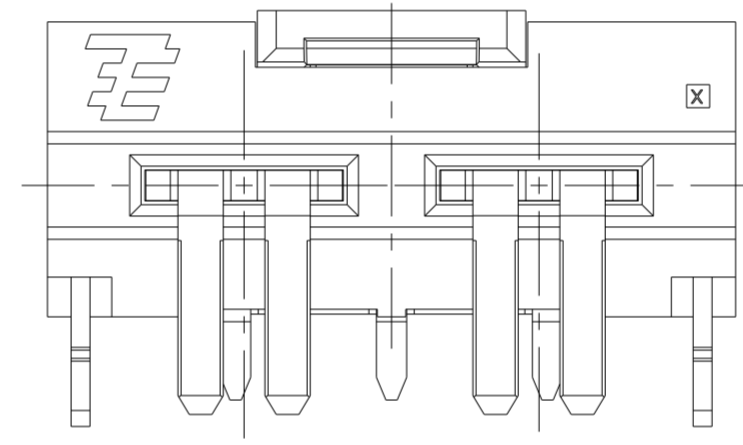
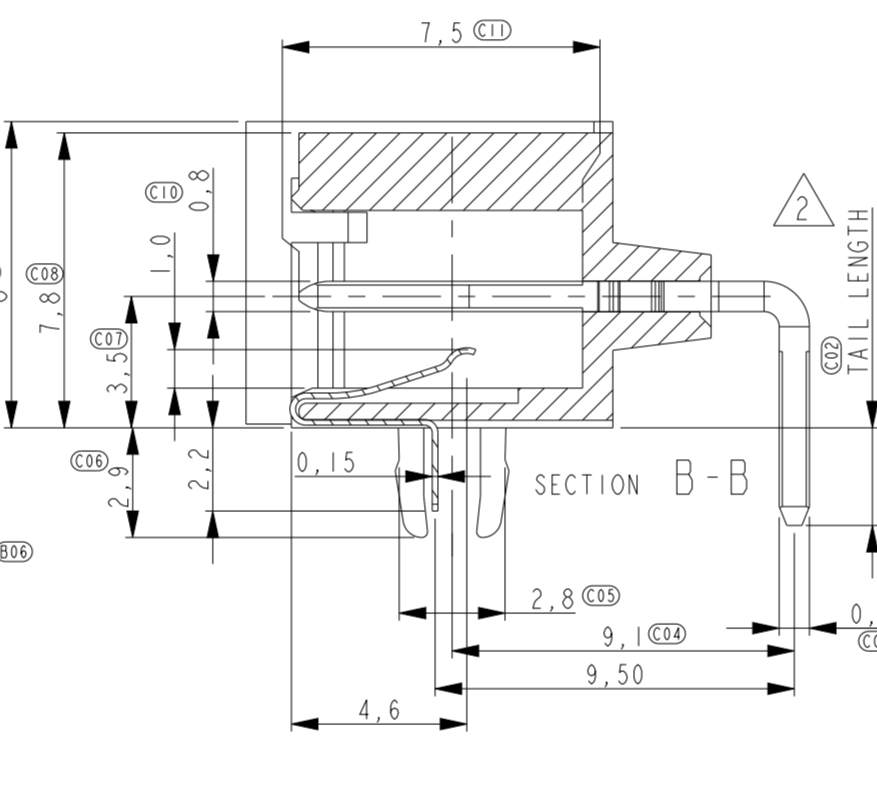
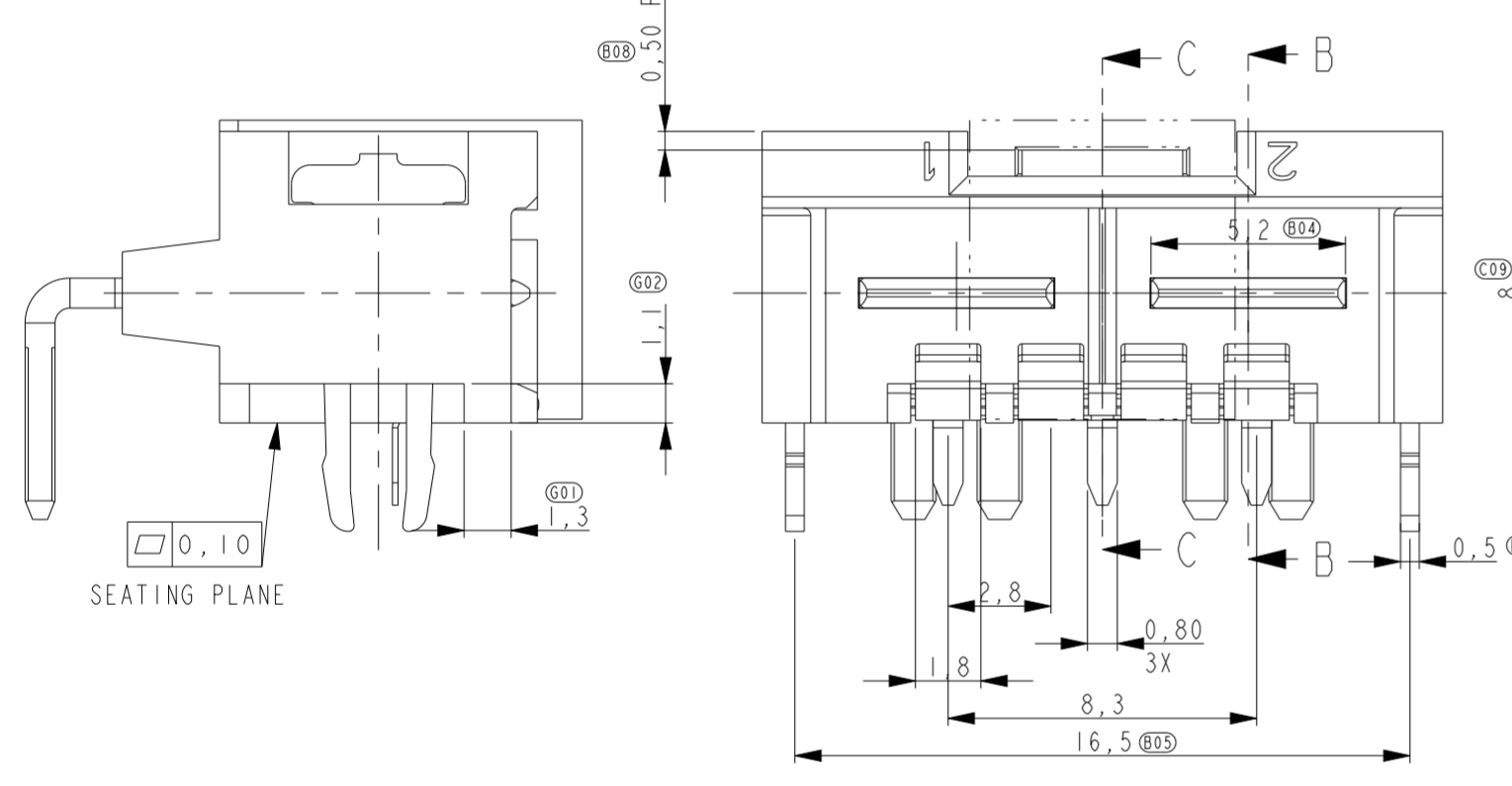
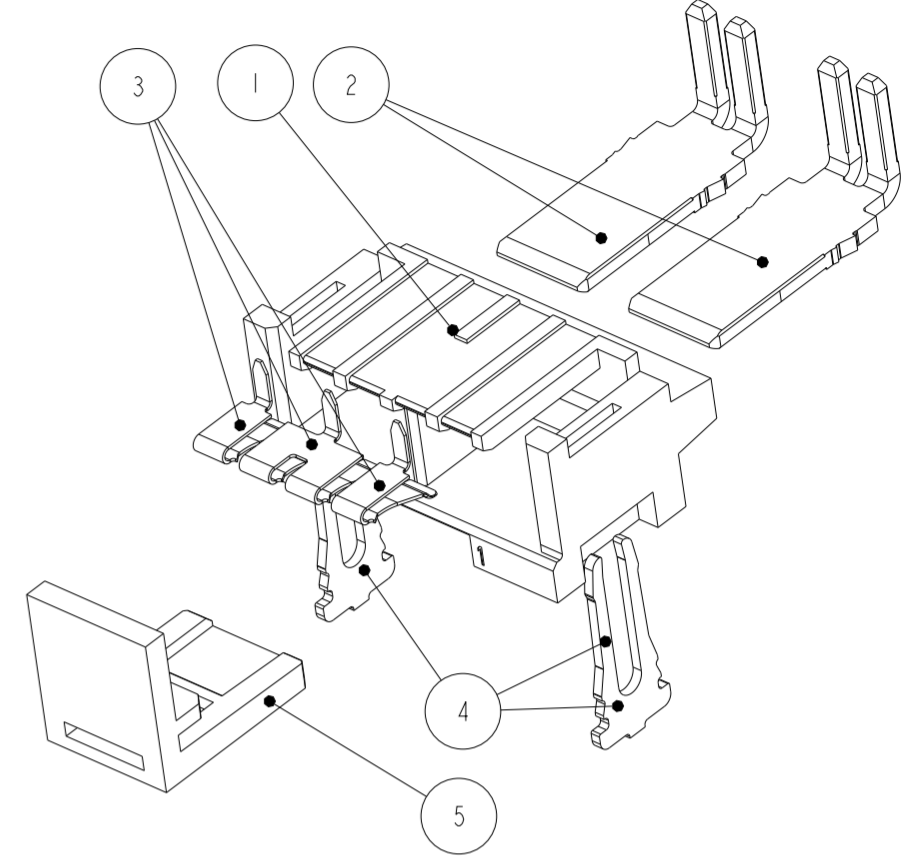
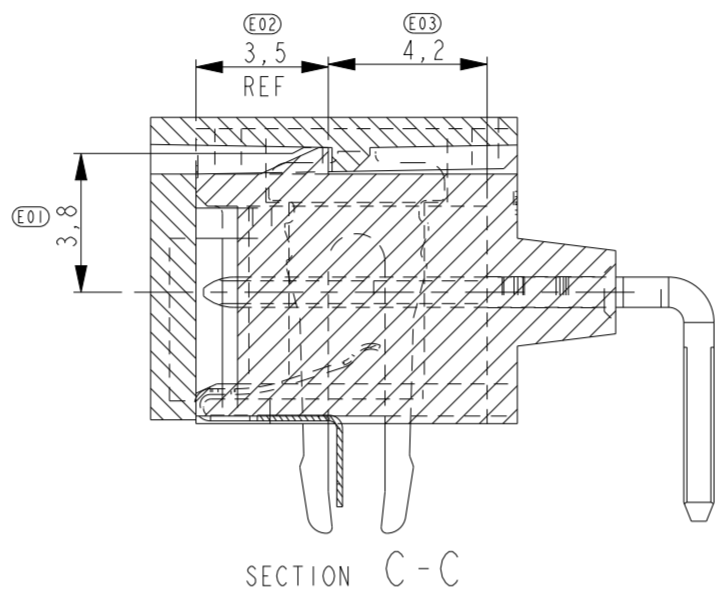
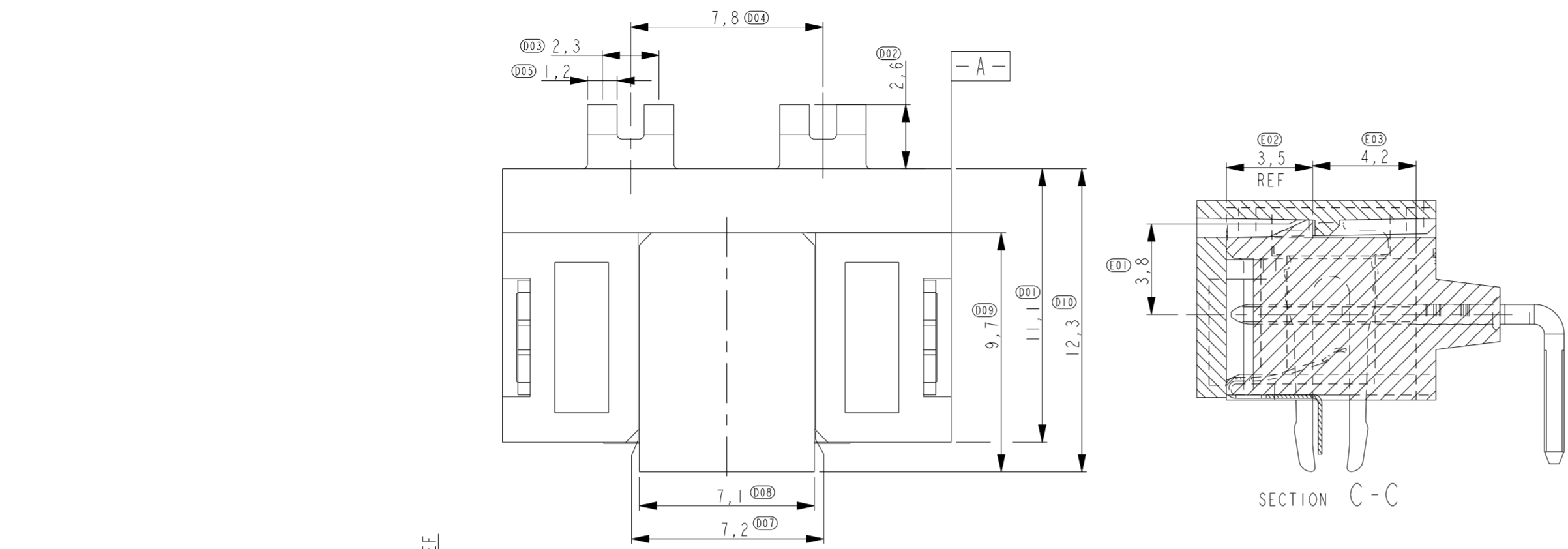


THIS DRAWING IS UNPUBLISHED. RELEASED FOR PUBLICATION  
 © COPYRIGHT - TE CONNECTIVITY ALL RIGHTS RESERVED.

| LOC |     | DIST                                     |           | REVISIONS |      |  |  |
|-----|-----|--|-----------|-----------|------|--|--|
| P   | LTR | DESCRIPTION                              | DATE      | DWN       | APVD |  |  |
| C3  |     | ADD NEW PCB RECOMMENDATION               | 05FEB2020 | OL        | SZ   |  |  |
| C5  |     | ADD COLOR FOR HOUSING AND PICK AND PLACE | 24NOV2020 | OL        | SH   |  |  |
| C6  |     | ECR-21-105415                            | 04SEP2021 | OL        | SH   |  |  |
| C7  |     | REV PER ECN-21-125982                    | 11NOV2021 | OL        | SH   |  |  |



| 1982295-6                  | 1982295-5               | 1982295-4                  | 1982295-2                  | 1982295-1               |
|----------------------------|-------------------------|----------------------------|----------------------------|-------------------------|
| WITHOUT DETECTION CONTACTS | WITH DETECTION CONTACTS | WITHOUT DETECTION CONTACTS | WITHOUT DETECTION CONTACTS | WITH DETECTION CONTACTS |

| ITEM NO. | DESCRIPTION        | MATERIAL              | FINISH  | QTY | QTY | QTY | QTY | QTY |
|----------|--------------------|-----------------------|---|-----|-----|-----|-----|-----|
| 5        | PICK&PLACE ADAPTOR | POLYAMIDE, NATURAL    |   | 1   | -   | 1   | 1   | 1   |
| 4        | HOLD DOWN          | DIN1544 CK75          | 5.0 µm Sn MIN OVER 2.5 µm Ni MIN ALL OVER.  | 2   | 2   | 2   | 2   | 2   |
| 3        | CONTACT DETECTION  | COPPER ALLOY          | 0.75 µm Au MIN. IN CONTACT PLACE, Au FLASH IN SOLDER AREA OVER 1.27µm Ni MIN ALL OVER | -   | 4   | -   | -   | 4   |
| 2        | CONTACT POWER TAB  | COPPER ALLOY          | 1.2µm Ni MIN. ALL OVER 0.75µm Au MIN AT MATING ZONE Au FLASH AT SOLDER ZONE           | 2   | -   | 2   | -   | -   |
| 2        | CONTACT POWER TAB  | COPPER ALLOY          | 3.0 µm Ag MIN ALL OVER.   | -   | 2   | -   | 2   | 2   |
| 1        | HOUSING            | LCP GF UL94V-0, BLACK |   | 1   | 1   | 1   | 1   | 1   |

- NOTES:
- 1. DURABILITY OF 1982295-4 CAN BE DECLARED ONLY AFTER TESTING.
  - 2 TAIL LENGTH IS 3.6<sup>+0.10</sup><sub>-0.20</sub> MM FOR -6, OTHERS ARE 2.6 MM
  - 3 OPTIONAL, THEY ARE FINISHED HOLE SIZE AND REQUIRED WHEN CODING CONTACTS NEEDED.
  - 4 HOLE SIZE IS 1.00MM FOR MOST APPLICATIOIN HOLE SIZE IS 1.5MM FOR NO INTERFERENCE WEHN MOUNTING FOR SPECIAL REQUIREMENT.

THIS DRAWING IS A CONTROLLED DOCUMENT.

DWN: R. Annokkee 11-Nov-21  
 CHK: R. Annokkee 11-Nov-21  
 APVD: J. Broeksteeg 11-Nov-21

TE Connectivity

NAME: ELCON Mini, 2-position header right-angle

SIZE: A2 CAGE CODE: 00779 DRAWING NO: C-1982295 RESTRICTED TO: -

Customer Drawing SCALE: 5:1 SHEET: 1 OF 3 REV: C7

4

3

2

1

THIS DRAWING IS UNPUBLISHED. RELEASED FOR PUBLICATION  
 © COPYRIGHT - TE CONNECTIVITY ALL RIGHTS RESERVED.

| LOC | DIST | REVISIONS   |      |     |      |
|-----|------|-------------|------|-----|------|
| P   | LTR  | DESCRIPTION | DATE | DWN | APVD |
| IR  | -    | SEE SHEET 1 | -    | -   | -    |
|     |      |             |      |     |      |
|     |      |             |      |     |      |

NOTES:  
 1. TRAY (PN 3178822-1) PACKAGING IS ONLY FOR PN 1982295-5.

343.0  
292.0

SEE DETAIL B

DETAIL B

DO NOT SCALE

DIRECTION OF TOP OF REEL →  
 4.0 2.0  
 44.0 40.4 1.75  
 1.55  
 PITCH 24.0

1000 mm COVERTAPE FROM THIS POINT ON CORE  
 400 mm COVERTAPE  
 7 POCKETS WITHOUT CHARGE 240 CONN/REEL 5 POCKETS WITHOUT CHARGE  
 REEL DIA. Ø330  
 FRANGE CORE Ø80 REF  
 51  
 63 ref REEL WIDTH

NOTES:

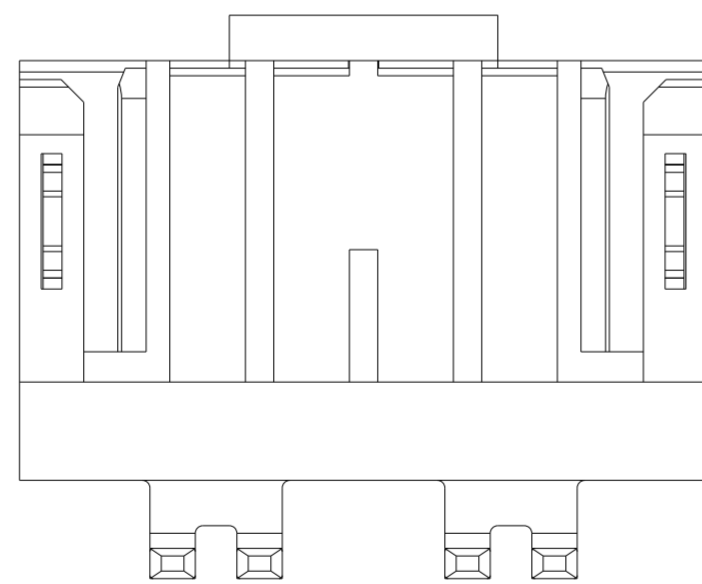
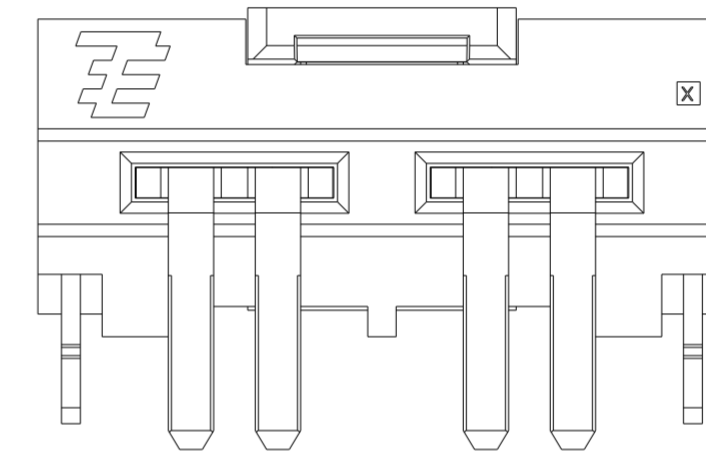
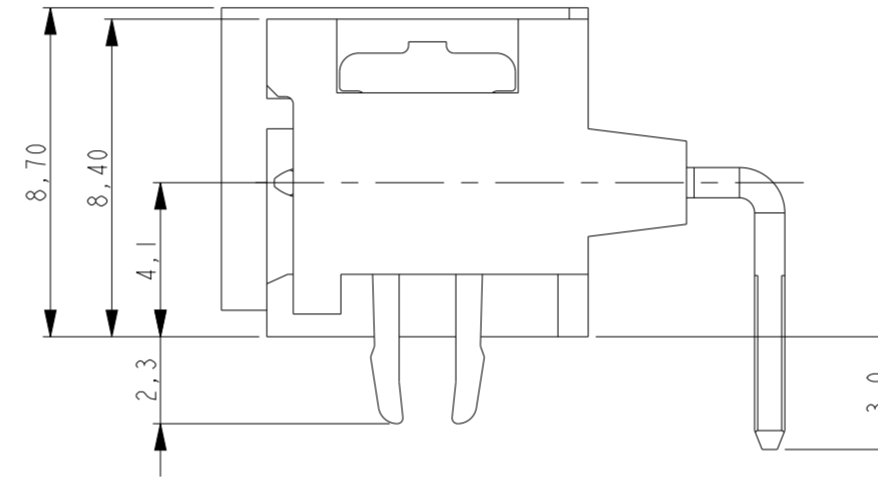
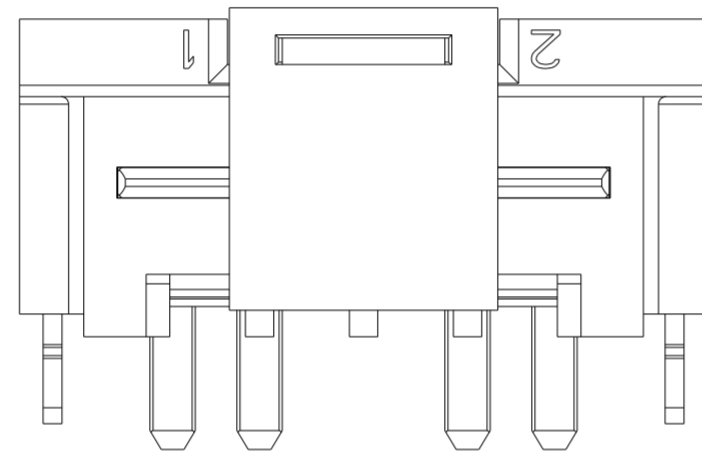
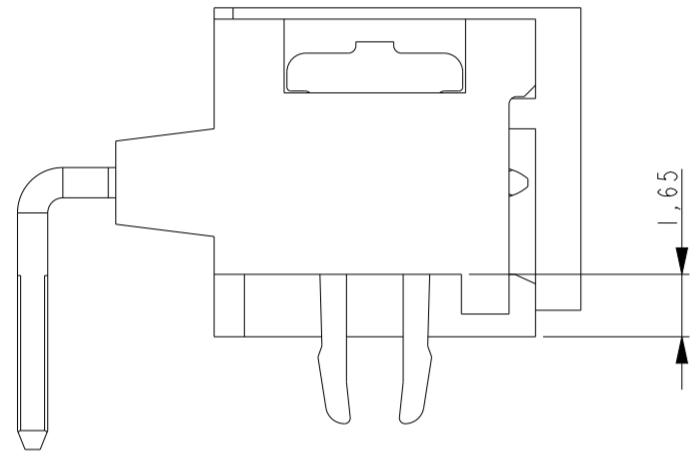
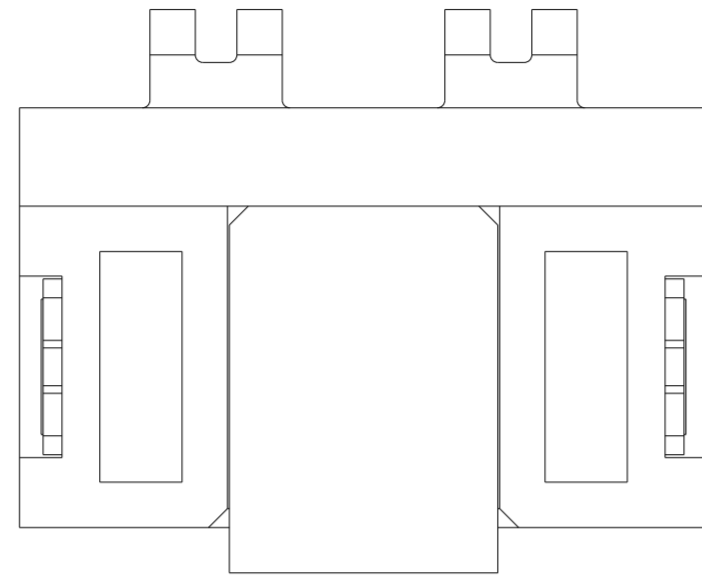
- MATERIAL: TRANSPARENT POLYSTYRENE ALLOY.
- 10 SPROCKET HOLES PITCH CUMULATIVE TOLERANCE  $\pm 0,20$ .
- CARRIER CAMBER IS WITHIN 1 mm IN 250 mm.
- ALL DIMENSIONS MEET EIA-481-C REQUIREMENTS.
- THICKNESS:  $0,50 \pm 0,05$ mm.
- REEL PACKAGING ONLY FOR OTHER PART NUMBERS.

|  |  |                                    |  |                    |
|--|--|------------------------------------|--|--------------------|
| THIS DRAWING IS A CONTROLLED DOCUMENT.   |  | DWN<br>R. Annokkee<br>11-Nov-21    | TE Connectivity                                      |                    |
| DIMENSIONS:<br>mm  |  | CHK<br>R. Annokkee<br>11-Nov-21    |  |                    |
| TOLERANCES UNLESS OTHERWISE SPECIFIED:   |  | APVD<br>J. Broeksteeg<br>11-Nov-21 | NAME<br>ELCON Mini, 2-position header<br>right-angle |                    |
| 0 PLC $\pm 0,5$<br>1 PLC $\pm 0,1$<br>2 PLC $\pm 0,05$<br>3 PLC $\pm$<br>4 PLC $\pm$<br>ANGLES $\pm 2$<br>FINISH |  | PRODUCT SPEC<br>108-19346          | SIZE<br>A2   | CAGE CODE<br>00779 |
| MATERIAL<br>-  |  | APPLICATION SPEC<br>114-19110      | DRAWING NO<br>C-1982295                              | RESTRICTED TO<br>- |
|  |  | WEIGHT<br>-                        | SCALE<br>1:1   | SHEET<br>2 OF 3    |
|  |  | Customer Drawing                   |  | REV<br>C7          |

1471-9 (3/11)

THIS DRAWING IS UNPUBLISHED. RELEASED FOR PUBLICATION  
 © COPYRIGHT - TE CONNECTIVITY ALL RIGHTS RESERVED.

| LOC | DIST | REVISIONS   |      |     |      |
|-----|------|-------------|------|-----|------|
| P   | LTR  | DESCRIPTION | DATE | DWN | APVD |
| IR  | -    | SEE SHEET 1 | -    | -   | -    |
|     |      |             |      |     |      |
|     |      |             |      |     |      |



1982295-7 IS SHOWN  
 OTHER DIMENSIONS REFER TO SHEET 1

| ITEM | DESCRIPTION        | MATERIAL              | FINISH  |
|------|--------------------|-----------------------|---|
| 5    | PICK&PLACE ADAPTOR | POLYAMIDE, NATURAL    |   |
| 4    | HOLD DOWN          | DINI544 CK75          | 5,0 µm Sn MIN OVER 2,5 µm Ni MIN ALL OVER.  |
| 3    | CONTACT DETECTION  | COPPER ALLOY          | 0,75 µm Au MIN. IN CONTACT PLACE, Au FLASH IN SOLDER AREA OVER 1,27µm Ni MIN ALL OVER |
| 2    | CONTACT POWER TAB  | COPPER ALLOY          | 1,2µm Ni MIN. ALL OVER<br>0,75µm Au MIN AT MATING ZONE<br>Au FLASH AT SOLDER ZONE     |
| 2    | CONTACT POWER TAB  | COPPER ALLOY          | 3,0 µm Ag MIN ALL OVER.   |
| 1    | HOUSING            | LCP GF UL94V-0, BLACK |   |

THIS DRAWING IS A CONTROLLED DOCUMENT.

|      |               |           |
|------|---------------|-----------|
| DWN  | R. Annokkee   | 11-Nov-21 |
| CHK  | R. Annokkee   | 11-Nov-21 |
| APVD | J. Broeksteeg | 11-Nov-21 |

**STE** TE Connectivity

NAME: ELCON Mini, 2-position header right-angle

|      |           |            |               |
|------|-----------|------------|---------------|
| SIZE | CAGE CODE | DRAWING NO | RESTRICTED TO |
| A2   | 00779     | C-1982295  | -             |

Customer Drawing SCALE 5:1 SHEET 3 OF 3 REV C7

# Mouser Electronics

Authorized Distributor

Click to View Pricing, Inventory, Delivery & Lifecycle Information:

[TE Connectivity:](#)

[1982295-2](#)