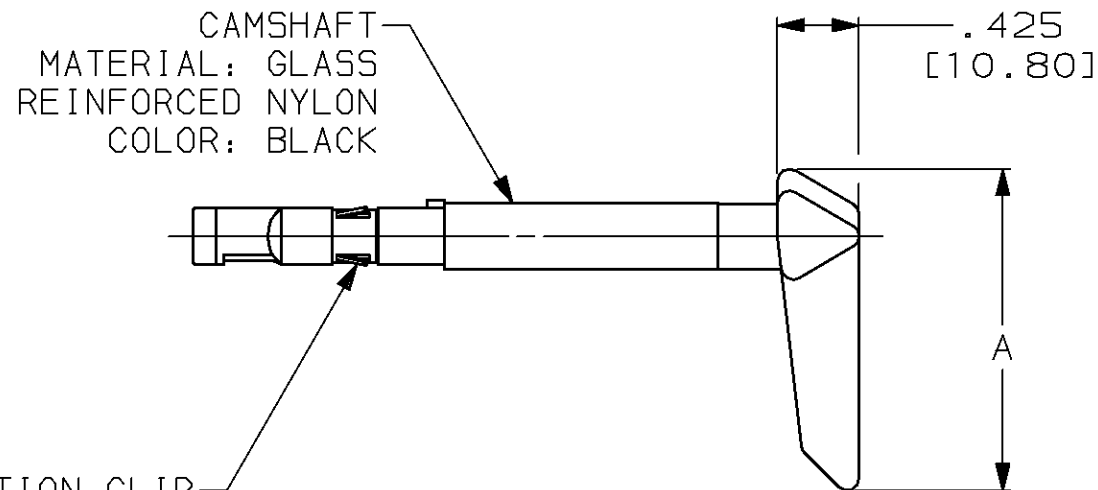
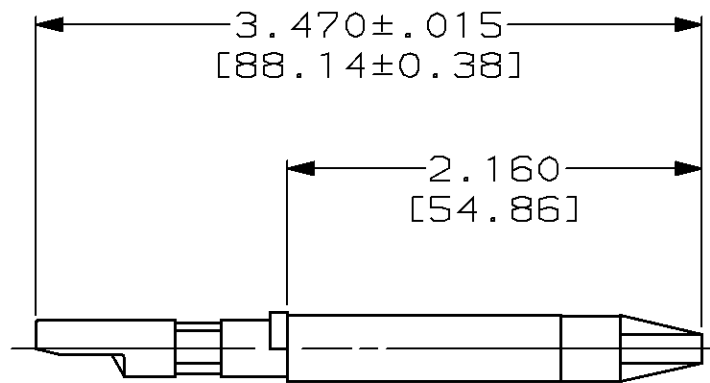


THIS DRAWING IS UNPUBLISHED. RELEASED FOR PUBLICATION, 19
 © COPYRIGHT 19 BY AMP INCORPORATED. ALL INTERNATIONAL RIGHTS RESERVED.

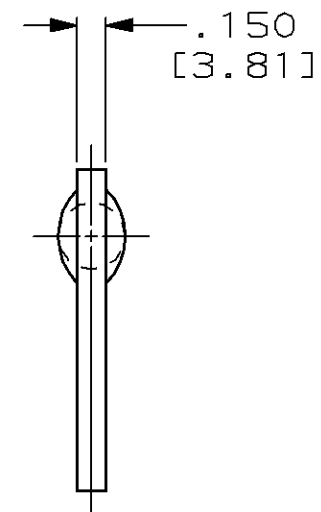
PROD 5088
 CODE
 LOC DF
 DIST E0

P		F		ZONE		LTR		DESCRIPTION		DATE	APPD
								0	RELEASED PER NPR 91-0111 T.S.	-	-
								A	REV PER 0600-4238-95 JB	03-06-96	DM



RETENTION CLIP
 MATERIAL: BERYLLIUM COPPER
 FINISH: NICKEL PLATED

CAMSHAFT
 MATERIAL: GLASS
 REINFORCED NYLON
 COLOR: BLACK



.800	447809-3
1.190	447809-2
1.675	447809-1
A ± .010 [0.25]	PART NO.

DO NOT SCALE PRINT.
 UNLESS SPECIFIED
 DIMENSIONS IN INCHES [mm]
 TOLERANCES ON:
 2 PLC DEC ± _____
 3 PLC DEC ± .005 [0.13]
 ANGLES ± _____

MATERIAL
 SEE CALLOUTS

FINISH
 SEE CALLOUTS

DR 4-3-91
 T. SHUEY
 CHK 4-3-91
 D. MUMMEY
 APPD 4-3-91
 D. MUMMEY
 APPD -
 PRODUCT SPEC -
 APPLICATION SPEC -
 WEIGHT -

AMP AMP Incorporated
 Harrisburg, PA 17105-3608

NAME
 CAMSHAFT, C.R. CONNECTOR,
 WITH RETENTION CLIP

SIZE	CAGE CODE	DRAWING NO
B	00779	447809
SCALE 4:1	SHEET 1 OF 1	

Mouser Electronics

Authorized Distributor

Click to View Pricing, Inventory, Delivery & Lifecycle Information:

[TE Connectivity:](#)

[447809-2](#)