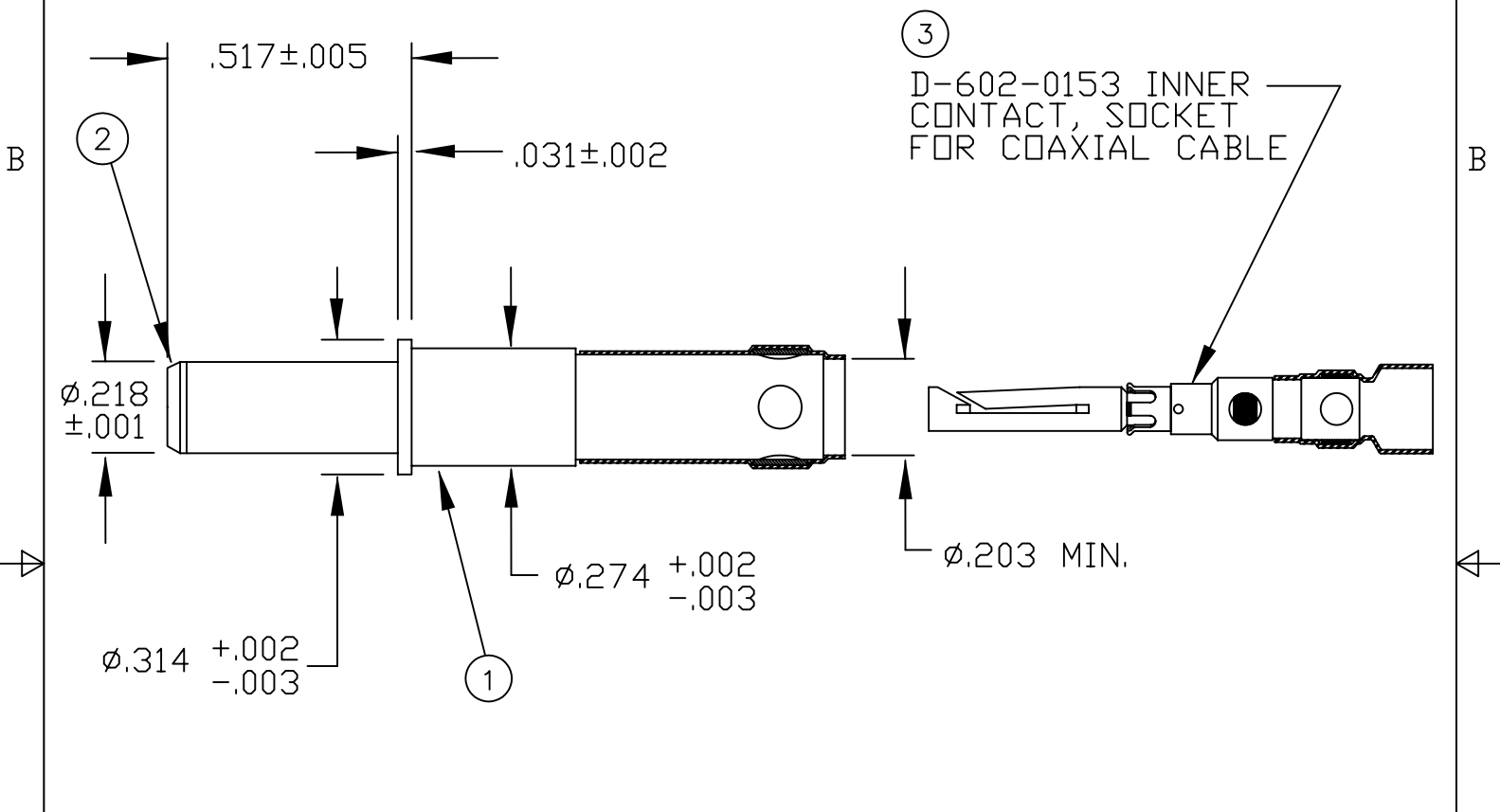


THIS DRAWING AND THE INFORMATION SET FORTH HEREON ARE THE PROPERTY OF TYCO ELECTRONICS CORPORATION, AND ARE TO BE HELD IN TRUST AND CONFIDENCE. PUBLICATION, DUPLICATION, DISCLOSURE, OR USE FOR ANY PURPOSE NOT EXPRESSLY AUTHORIZED IN WRITING BY TYCO ELECTRONICS IS PROHIBITED.

REVISIONS

LTR	DESCRIPTION	DATE	APPROVED
N/C	PRE-PRODUCTION RELEASE PER ECN T# 7222	86NOV17	L.M.
A	REVISED PER ECN T-20809	5/21/96	M. HIGGY
B	REDRAWN PER ECO-08-005291	March/3/08	M. HIGGY



- ① OUTER CONTACT, PIN
- ② INSULATOR

CUSTOMER DRAWING

If this document is printed it becomes uncontrolled. Check for the latest revision  
 ©2008 Tyco Electronics Corporation. All rights reserved.

UNLESS OTHERWISE SPECIFIED DIMENSIONS ARE IN INCHES. METRIC DIMENSIONS ARE IN BRACKETS.  DECIMALS .XXX ± .005 { mm } .XX ± .01 { mm } ANGLES 1° .X ± ---  WEIGHT TBD Lbs { TBD g }	DRAWN	ZS. ORBAN	Feb/13/08		Raychem Devices 300 Constitution Drive Menlo Park, CA 94025 U.S.A.		
	CHECKED						
	APPROVED	M. HIGGY	Feb/13/08	TITLE TRIAXIAL CONTACT, PIN MIL-DTL-38999 SIZE 8			
	CAD NAME: D-602-1116a_B						
THIRD ANGLE PROJECTION				SIZE	CODE IDENT. NO.	DWG. NO.	REV
				A	06090	D-602-1116	B
DO NOT SCALE THIS DRAWING						SHEET 1 OF 3	

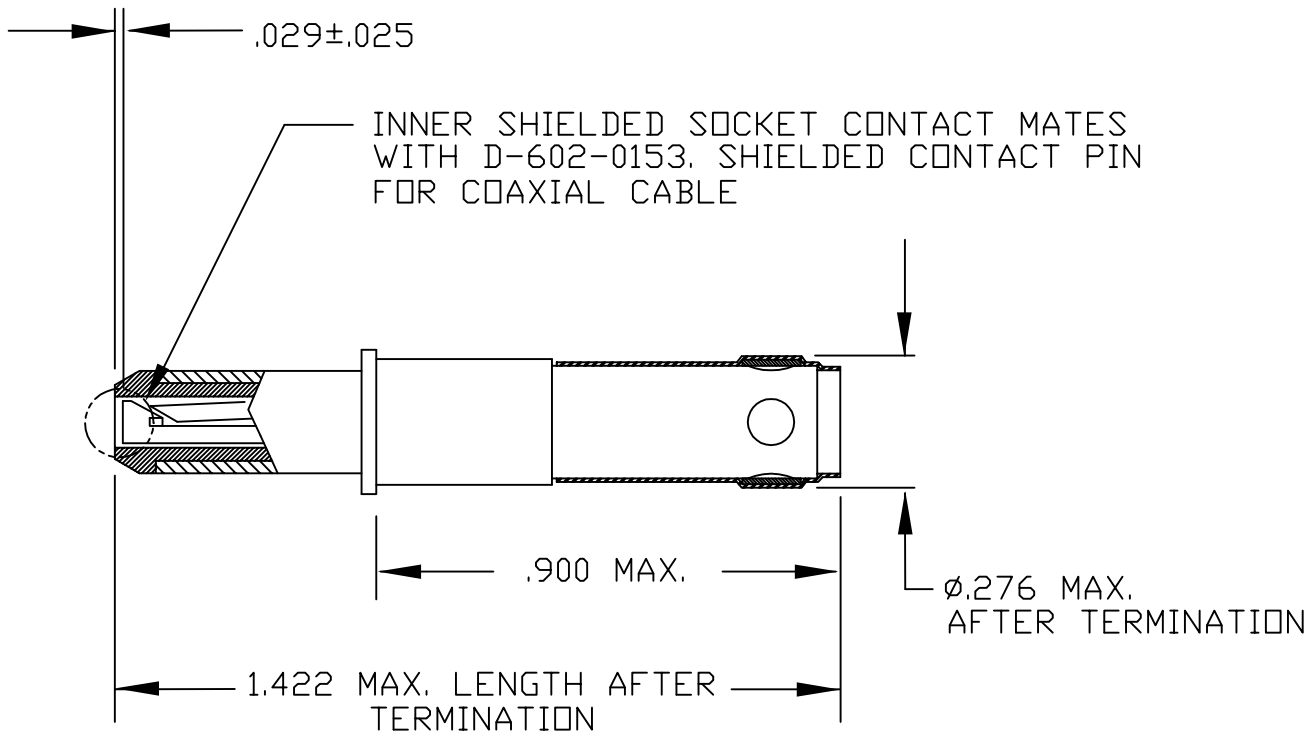
2



1

B

B



NOTES: UNLESS OTHERWISE SPECIFIED

1. PART DESCRIPTION:

TRIAXIAL CONTACT, PIN MIL-DTL-38999 SIZE 8

MATERIAL AND FINISH:

- ① QUARTER CONTACT BODY:  
BRASS ALLOY 360, HALF HARD PER ASTM B16/B16M, GOLD PLATED PER ASTM B 488 TYPE II GRADE C, OVER NICKEL PER SAE-AMS-QQ-N-290 OVER COPPER STRIKE.
- ② INSULATOR: POLYETHERIMIDE
- ③ SHIELDED CONTACT, SOCKET MATERIALS AND FINISHES AS SPECIFIED ON D-602-0153 SCD

2. CAVITY ACCOMMODATION:

SOCKET CONFIGURATION TO FIT MIL-DTL-38999 SERIES I, III & IV CONNECTORS, SIZE 8

3. WIRE SIZE:

CONTACT ASSEMBLY WILL TERMINATE THE BRAID OF TYCO ELECTRONICS/RAYCHEM DATA BUS CABLE 5022E5111 AND 9530D5317 AFTER INNER CONDUCTORS HAVE BEEN TERMINATED TO D-602-0153, SHIELDED SOCKET CONTACT.

4. MATING CONTACT:

THIS CONTACT WILL MATE WITH D-602-1117

If this document is printed it becomes uncontrolled. Check for the latest revision

**CUSTOMER DRAWING**

DRAWN	ZS. ORBAN Feb/13/08	THIRD ANGLE PROJECTION	SIZE	CODE IDENT. NO.	DWG. NO.	REV
CAD NAME:	D-602-1116b_B		A	06090	D-602-1116	B
DO NOT SCALE THIS DRAWING					SHEET 2 OF 3	

2



1

A

A



5. SEE ES-61406 FOR CABLE ACCOMMODATION AND TERMINATION PROCEDURE DETAIL.

6. TRIAXIAL CONTACT SHALL CONSIST OF OUTER SHELL HOUSING ASSEMBLY AND SHIELDED CONTACT, SOCKET D-602-0153 FOR COAXIAL CABLE, PACKAGED TOGETHER.

PERFORMANCE CHARACTERISTICS:

(TEST REQUIREMENTS AND PROCEDURES SHALL BE PER SAE-AS39029 WHERE APPLICABLE)

TEMPERATURE RATING: 125°C

CURRENT RATING: 3 AMPS

VOLTAGE RATING: DIELECTRIC WITHSTAND APPLIED BETWEEN INNER CONTACT AND MIDDLE CONTACT, AND MIDDLE CONTACT AND OUTER CONTACT 900 VOLT

CONTACT RESISTANCE:

INNER	10	MILLIOHM
MIDDLE	8	MILLIOHM
OUTER	60	MILLIOHM

INSULATION RESISTANCE: 5.0 GIGAOHM MINIMUM

SOCKET ENGAGEMENT AND SEPARATION FORCE:

	ENGAGE (MAX.)	SEPARATE (MIN.)
INNER SOCKET	16 OZ	1.75 OZ

If this document is printed it becomes uncontrolled. Check for the latest revision

**CUSTOMER DRAWING**

DRAWN	ZS. ORBAN Feb/13/08	THIRD ANGLE PROJECTION		SIZE	CODE IDENT. NO.	DWG. NO.	REV
CAD NAME:	D-602-1116c_B			A	06090	D-602-1116	B
				DO NOT SCALE THIS DRAWING		SHEET 3 OF 3	



# Mouser Electronics

Authorized Distributor

Click to View Pricing, Inventory, Delivery & Lifecycle Information:

[TE Connectivity:](#)

[241611N001](#)